

Introduction

Thank you for purchasing the Brandstand CubieMini®. This product allows the hotel to offer more outlets and USB charging to their guests at the desk level. Please be sure to read this User Manual carefully to ensure proper installation.

The information in this document is subject to change and does not represent a commitment on the part of Brandstand. No part of this document may be reproduced, transmitted in any form or by any means, electronic or mechanical, including photocopying, recording, or information storage and retrieval systems, or translated into any language for any purpose other than the purchaser's personal use, without the written permission of Brandstand.

Product Features

- Convenient connections for AC and USB-powered devices
- Efficient and stylish design with multiple mounting options
- Complete surge protection through all AC outlets and/or USB Ports

Product Description

- 2 Tamper Resistant 110V AC outlets
- 1 USB- A port
- 1 USB- C port
- Surge Protection
- 6ft 14AWG Power Cord with Right Angle Pass Through Plug
- Adhesive Mounting Pad
- Security C-Clamp with 2 Wood Screws
- Optional Mounting Kit

Technical Specifications

Continuous Duty Electrical Rating

125VAC 12A 60Hz 1500W

Maximum Energy Dissipation

615J L-N 205J L-G 205J N-G 205J

Maximum Spike Current

24000A L-N 8000A L-G 8000A N-G 8000A

UL Clamping Voltage (3-line)

UL1449

VPR L-N 1500V, L-G 1500V, N-G 1500V

AC Outlets Output

125V 12A

Powered USB Output

Single USB-C Output (30W Max): 5V ≍ 3A or 9V ≍ 3A or 12V ≍ 2.5A

Single USB-A Output (12W Max): 5V ≍ 2.4A

Double Port Output (32W Max):

USB-C Output(20W Max): 5V ≍ 3A or 9V ≍ 2.22A or 12V ≍ 1.67A

USB-A Output (12W Max): 5V ≍ 2.4A



EMI/RFI Filtration

150kHz-1000MHz up to 40db

Surge Response Time (ns)

<20 ns

Working Temperature

0°-35° C

Power Cord

6ft 14AWG 3-line

Housing Material

UL94V-0

Working Surroundings

Indoor Fixed Mount

Important Safeguards

- CAUTION: Do not install this device if there is not at least 10 meters (30feet) or more of wire between the electrical outlet and the electrical service panel. Ensure the unit is plugged into an AC 120V-60Hz outlet. The use of incorrect outlets could cause the unit to malfunction or catch fire.
- To reduce the risk of fire or electrical shock, do not use this device with a receptacle in which the slot openings do not align with the blades.
- Do not allow children to operate the unit without adult supervision.
- Always ensure the product is unplugged from the electrical outlet before relocating or cleaning it.
- Keep the power cord and product away from heated surfaces.
- The unit should not be exposed to dripping or splashing and no objects filled with liquids, such as vases should be placed on or around the product. It should not be used with aquariums or other water-related products.
- Do not place or drop product into water or other liquids. If product falls into water, immediately unplug it from the electrical outlet.
- Do not put any stress on the power cord where it connects to the product as the power cord could fray and break.
- Do not plug/unplug the product into/from the electrical outlet with a wet hand.
- Do not operate the product if it has a damaged or cut power cord or adapter, if wires are exposed, if it malfunctions, if it is dropped or damaged, or if it is dropped in or exposed to water.
- Place unit where there is good air circulation.
- The product has no user-serviceable parts. Do not attempt to examine or repair this product yourself. Only qualified service personnel should perform the servicing.
- No open flames sources, such as candles should be placed on the product.
- Product should only be used indoors and in dry locations.

Limited 1 Year Warranty

Products are warranted by Brandstand against manufacturing defect in material and workmanship under normal use for one year from the date of purchase. Defective products will be exchanged for the same or comparable item.

Return Policy

For a refund or exchange, products must be returned within 30 days of original purchase date. Customers must contact Brandstand to obtain a Return Merchandise Authorization (RMA) number and specific shipping instructions prior to returning the product. Any product returned without a RMA will be refused. Product must be in original box with original accessories and packaging undamaged, clean and brand-new condition. Products that are incomplete, damaged or have been used will require a deduction in refund. There is a 30% restocking fee on all returned products. Refunds will be issued by check. Refund checks are mailed the 10th day from the date the product is returned. Delivery charges and customized products are non-returnable.

Disclaimer of Damages

In no event shall Brandstand Products, or its suppliers, be liable for indirect, incidental, or consequential damages, loss of profit, loss of use or data, or interruption of business, whether the alleged damages are labeled in tort, contract, or indemnity, even if Brandstand Products or its suppliers has been advised of the possibility of such damages. Some states do not allow the exclusion or limitation of incidental or consequential damages, so the above limitation may not apply.

Important:

This product's USB outlets cannot be used as a USB hub and does not transmit data. The powered USB outlets on this unit are intended solely for charging devices that can be charged via a USB interface.

The Brandstand Difference

Surge Protection

All Brandstand Cubie products pass:

- UL1449 Surge Protection Devices Standard
- UL 962A for Furniture Power Distribution Units

Liquid Spill Testing

For enhanced safety, the Cubie Product Line was designed for and successfully passed a UL spill test conducted by our ETL testing lab.

Pass-Through Power

The pass-through power plug allows another device (i.e. lamp or alarm clock) to be plugged into the same wall outlet used by the Cubie Product.

U.S. Patent D715,225

Unpacking and Set up:

1. Carefully remove from packaging. Verify that you have all necessary components before you dispose of box and packaging.

Component List:

- CubieMini Main Unit
- Adhesive Pad
- Security C-Clamp
- 2 Wood Screws

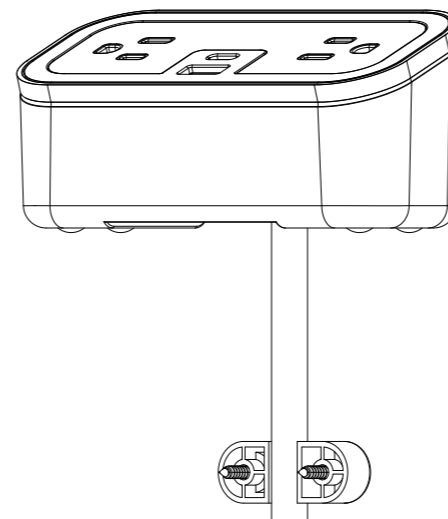
2. Place in desired location.

Note: This product is designed to be used on a level, stable, flat surface such as a table, desk, shelf or stand, convenient to an AC outlet, out of direct sunlight and away from sources of excess heat, dust, moisture or vibration.

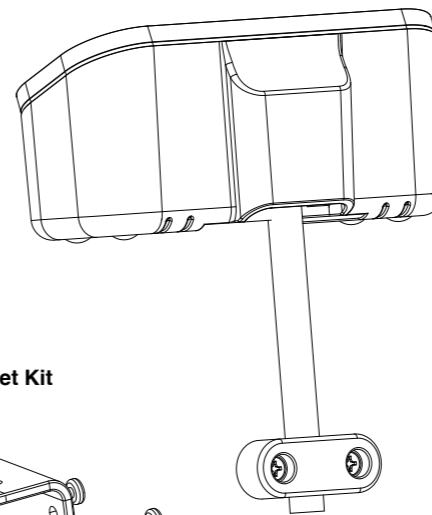
3. Plug directly into wall AC outlet. Do not plug into another surge protector or extension cord.

4. Secure cord with Security C-Clamp to back of nightstand or desk. Wood screws are included.

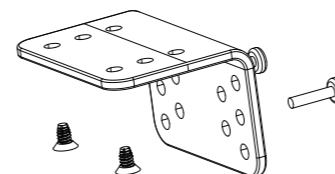
CubieMini- Front View



CubieMini- Back View



CubieMini- Optional Bracket Kit



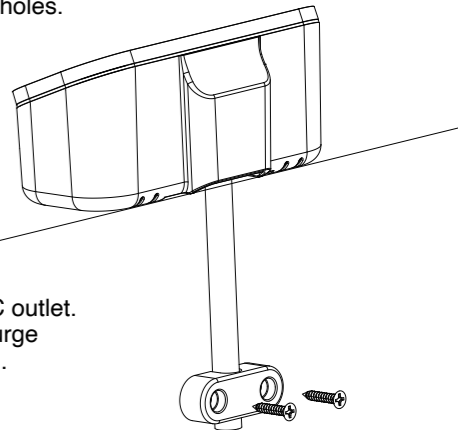
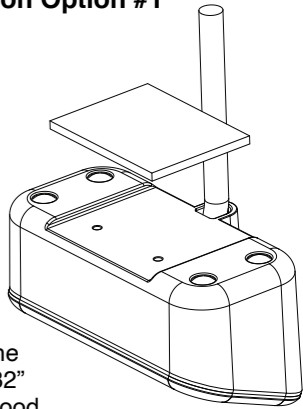
Quick Installation Guide - Installation Option #1

1. Remove the adhesive covering of the mounting pad.

2. Attach the adhesive mounting pad (included) to bottom of the CubieMini.

3. To attach C-Clamp- drill pilot holes at the desired screw location. Use a 1/16" or 3/32" drill bit to reduce the risk of splitting the wood, Install wood screws (included) through C-Clamp and into the pilot holes.

4. Plug directly into wall AC outlet. Do not plug into another surge protector or extension cord.

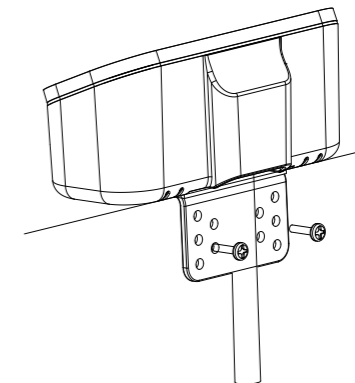
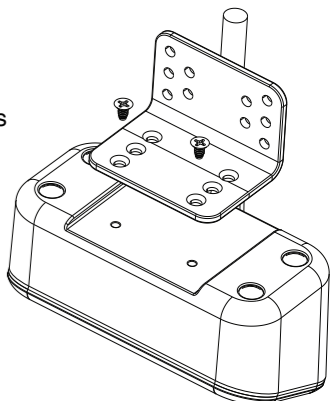


Quick Installation Guide - Installation Option #2 For use with Optional Bracket Kit (purchased separately)

1. Attach bracket to the bottom of the CubieMini with 2 small machine screws (Included).

2. Position CubieMini on the back of the desk. Drill pilot holes at the desired screw location. Use a 1/16" or 3/32" drill bit to reduce the risk of splitting the wood, Install wood screws (included) through C-Clamp and into the pilot holes.

3. Plug directly into wall AC outlet. Do not plug into another surge protector or extension cord.



Brandstand
1219 Digital Drive, Suite 100
Richardson, TX 75081, USA
877-843-3681
www.brandstand.com

