

BRAND | STAND[®]

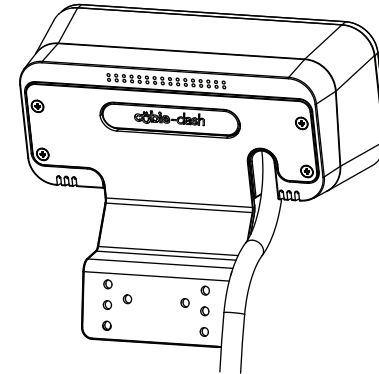
cubie-dash[®]

cubiemod 2.0 + dashkit

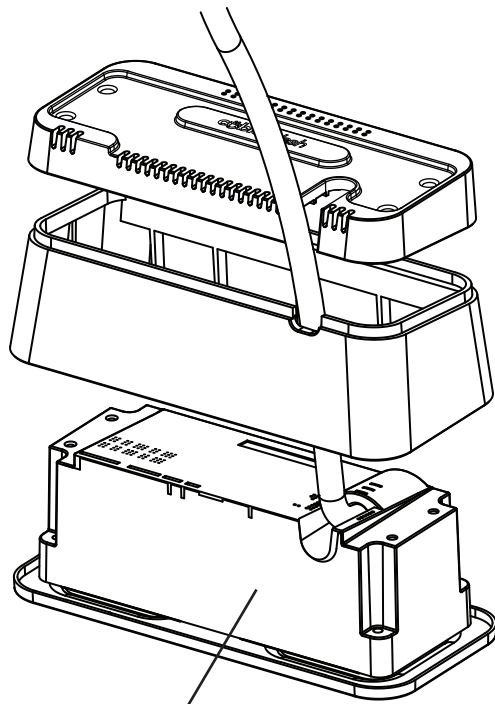
ITEM #: BPECD2
BPECD2UK
BPECD2EU
BPECD2XBUK
BPECD2XBEU

Includes:

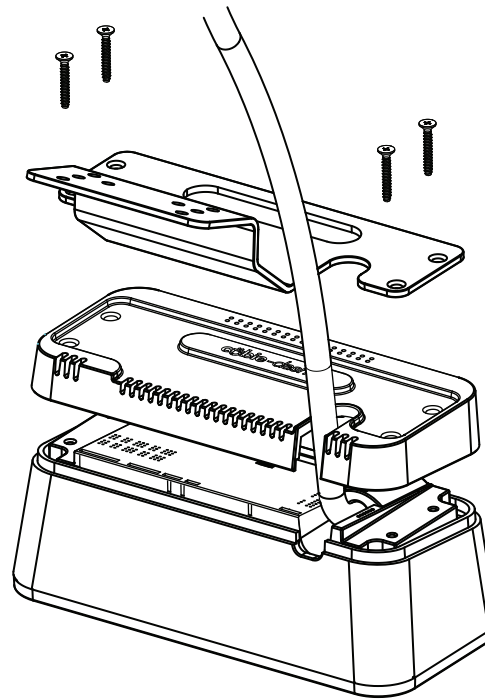
- Qty 1: Metal Bracket
- Qty 1: Plastic Housing
- Qty 1: Plastic Base
- Qty 4: #6 Flat Head Screws
- Qty 6: #6 Pan Head Wood Screws



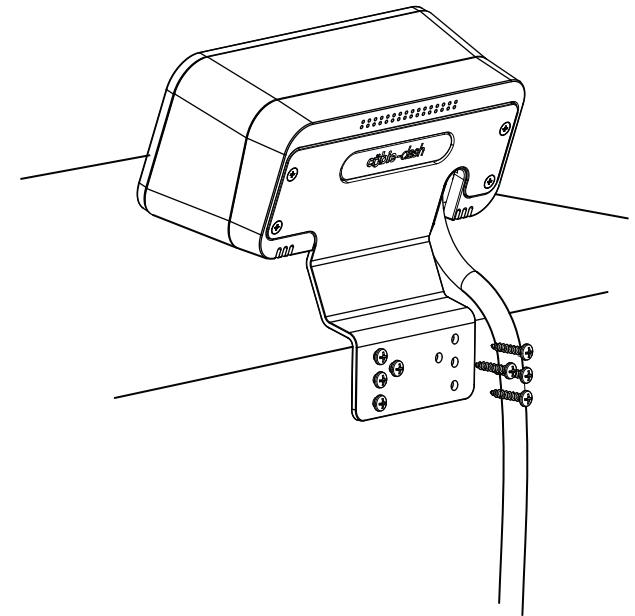
- 1** Place CubieMod2.0 in Plastic Housing and Base.
*Align power cable with notch



- 2** Add bracket and fasten entire assembly with 4 screws.



- 3** Fasten bracket to furniture with 4 screws.



The Leader of Hotel Guest Room Power & Charging.