



3D Massage Chair Pad

With Air Compression

703269

USER MANUAL



Thank you for purchasing the Relaxus 3D Massage Chair Pad.



PLEASE READ THE SAFETY INSTRUCTIONS CAREFULLY BEFORE USING. KEEP USER MANUAL FOR FUTURE REFERENCE.

CAUTION

- TO REDUCE THE RISK OF ELECTRIC SHOCK, DO NOT REMOVE COVER. THERE ARE NO SERVICEABLE PARTS INSIDE
- TO REDUCE THE RISK OF FIRE OR ELECTRIC SHOCK, DO NOT EXPOSE THE UNIT TO RAIN OR MOISTURE

The lightning flash with arrow-head symbol within an equilateral triangle is intended to alert the user to the presence of uninsulated “dangerous voltage” within the unit’s enclosure that may be of sufficient magnitude to constitute a risk of electric shock.

The exclamation point within an equilateral triangle is intended to alert the user to the presence of important operating and maintenance (servicing) instructions in the literature accompanying the unit.

IMPORTANT SAFETY INSTRUCTIONS

When using the massage chair, basic precautions should always be followed. Read all instructions before using the massage chair.

DANGER – TO REDUCE THE RISK OF ELECTRIC SHOCK, BURNS, FIRE OR INJURY TO PERSONS:

- Always unplug this massage chair from the electrical outlet immediately after using and before cleaning.
- Never use pins or other metallic fasteners with this appliance.
- Carefully examine the covering before each use. Call for service if the covering shows any sign of deterioration, such as blistering, peeling or cracking.
- Keep dry – Do not operate in a wet or moist condition
- Remove the power plug from the electrical outlet immediately should liquid be accidentally spilled onto the React Massage Chair. DO not use wet hands to connect or disconnect the power plug from the electrical outlet.
- Do not tamper with the power cord or use the React Massage Chair with a damaged cord as this may result in malfunction and electric shock.

WARNING – TO REDUCE THE RISK OF BURNS, FIRE, ELECTRIC SHOCK OR INJURY TO PERSONS:

- A massage chair should never be left unattended when plugged in. Unplug from outlet when not in use, and before putting on or taking off parts.
- Use this massage chair only for its intended use as described in the manual. Do not use attachments not recommended by the manufacturer.
- Consult your physician before using this massage chair.
- This product is not intended for self-treatment of conditions that should be managed by a qualified health care provider.
- Please do not use the product if you are not feeling well.
- The chair is designed as a non-professional massager to soothe tired and aching muscles. It is not intended to be a substitute for medical attention. If your ailments and symptoms persist or worsen after use, contact your physician immediately.
- For adult use only. Do not use massager in close proximity to loose clothing or jewelry. Keep long hair away from massager while in use.
- **IMPORTANT:** Any individual who may: be pregnant, or recently gave birth, has a heart condition, or a pacemaker, suffers from diabetes or other sensory impairment, phlebitis and / or thrombosis, joint dysfunction, inflammation or injuries, weak bones, osteoporosis, a high fever, an abnormal or curved spine, is at an increased risk of developing blood clots, has pins / screws / artificial joints or other medical devices implanted in his / her body, is being treated for a medical condition or physical injury or is under a doctor's care should consult with a medical professional before using a massaging device designed for home use.
- Never operate this massage chair if it has a damaged cord or plug, if it is not working properly, if it has been dropped or damaged or dropped into water.
- DO not carry this massage chair by the power cord or use the cord as a handle.
- Keep the cord away from heated surfaces.
- Never operate the massage chair with the air openings blocked. Keep the air openings free of lint, hair, and the like.
- Do not operate under a blanket or pillow. Excessive heating can occur and cause fire, electrical shock, or injury to persons.
- Do not use the chair in combination with other therapeutic equipment or electric blanket, etc, as this may result in ineffectiveness or injury.
- Close supervision is necessary when this appliance is use by, on or near children, invalids, or disabled person.
- Never drop or insert and object into any opening.
- This product is intended for household use only. Do not use outdoors.

- Do not operate where aerosol (spray) products are being used or where oxygen is being administered.
- To disconnect, turn all controls to the off position, then remove the plug from the outlet.
- DO not stand on or in the massage chair. Use only while seated.
- Do not insert your hand or foot along the paths of the massage rollers during use as this may cause injury.
- Stop operation immediately if you experience any discomfort.
- The product is not intended for use by children or persons with reduced physical, sensory or mental capabilities, or lack of experience and knowledge, unless they have been given supervision or instruction concerning use of the product by a person responsible for their safety.
- Do not operate for more than 20 minutes continuously. It is recommended to turn off the chair and allow it to rest (cool) for 40 minutes before re-using. This will prolong the life of the chair.
- Do not perform continuous massage on the same spot of your body for more than 5 minutes at a time as this may result in excessive stimulation and may have adverse effects.
- Children should be supervised to ensure that they do not play with the product.
- Use heated services carefully. May cause serious burns. Do not use over sensitive skin areas or in the presence of poor circulation. The unattended use of heat by children or disabled persons may be dangers.
- Temperatures sufficiently high to cause burns may occur regardless of the control setting. So not use on an infant or invalid or on a sleeping or unconscious person. Check the skin in contact with the heated area of the appliance frequently to reduce the risk of blistering.
- Never use the chair on open skin eruptions, swollen or inflamed areas.
- Do not operate after taking pain killers, sedatives or alcohol.
- Do not apply massage rollers directly on the head, elbow, or knee joints, torso, or abdomen.
- Burns may result from improper use.
- Do not crush – avoid sharp folds.
- DO NOT WET – DO NOT USE PINS. DO not use the chair when your body is wet. Do not operate the chair with wet hands.
- NEVER REMOVE COVER. Do not use the chair when the upholstery or seat is removed. This may cause injury or malfunction.

SPECIFICATIONS

Power supply: AC 120V~240V

Power consumption: 60 W

Power frequency: 50/60 Hz

Auto timer: 15 minutes

Air Compression Massage: Thighs / Seat / Waist (High, Low, Centre Off)

Vibration function: Seat (High, Medium, Low)

Weight: Approx. 18lbs

Upholstery: Synthetic Leather

Accessories: Controller, Power Adaptor

REMOVE FROM BOX

1. Remove Massage. Ensure all parts are present (see page 6).
2. Open the storage strap by separating the Velcro.
3. When your massager is not in use and you are ready to store it in the future, use the strap to fold the seat up into the unit and secure it, as shown on page 6.

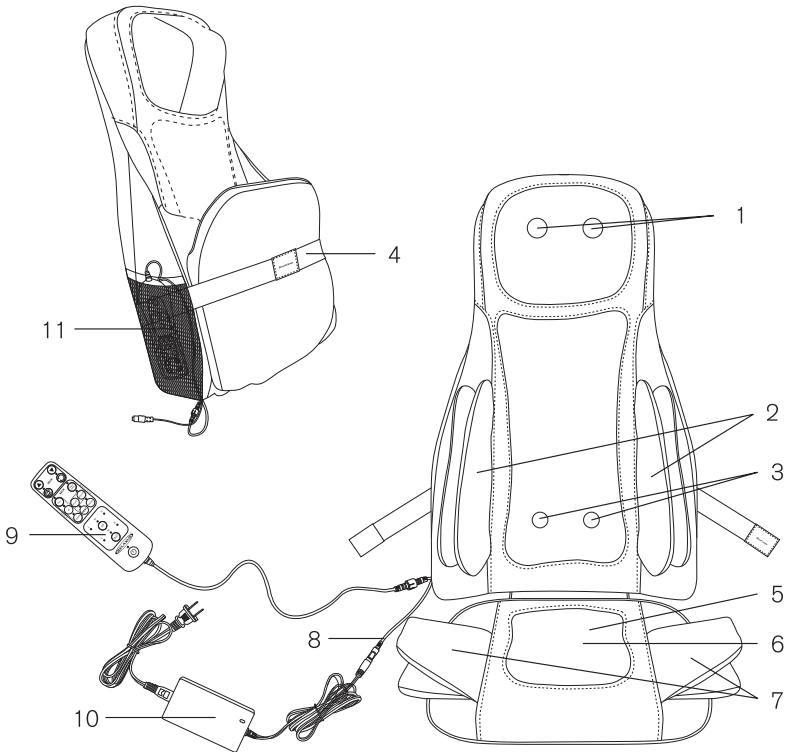
SAFETY

- Never leave the unit unattended, especially if children are present.
- Never cover the unit when it is in operation.
- Do not use this unit for more than 15 minutes at a time.
- Extensive use at any time could lead to excessive heating that shortens the life of this unit. Should this occur, discontinue use and allow the unit to cool before operating.
- Never use this unit directly on swollen / inflamed areas of the skin or on areas of skin eruptions. Do not use if experiencing unexplained back pain.
- For Home Use Only. Do not use as a substitute for medical attention.
- Do not use while in bed or before going to sleep. The massage can create a stimulating effect and delay sleep.
- This unit should never be used by any individual suffering from any physical ailment that would limit the user's capacity to operate the controls.
- Extreme heat or cold may damage the unit.
- Place the unit in a safe, cool, dry place when not in use.
- Do not submerge the unit in liquid.
- For indoor use only.

LOCATION OF CONTROLS

MESSAGE UNIT

1. Neck Massage with Heat
2. Air Compression Massage for Waist
3. Back Massage with Heat
4. Chair Attachment and Storage Strap (on back)
5. Seat Vibration
6. Air Compression Massage for Seat
7. Air Compression Massage for Thighs
8. Power Cord
9. Remote Controller
10. Power adaptor
11. Remote Controller Pocket



CONTROLLER

NECK

1. ▲ / ▼ NECK nodes Up / Down Control Buttons

- Long Press these buttons to manually adjust Neck Massage height.

2. ⌚ / ↻ NECK nodes Direction Control Buttons

- ⌚ Press once to start, press 2nd time to reverse direction.
- ↻ Press to start auto reversing program.

BACK

3. Back Massage Coverage

Full, Upper or Lower Back.

4. Kneading Button

To activate / deactivate a rolling, rotating massage.

Note: Does not work with ADJUST Button.

5. Adjust Button

To adjust the width of the nodes during the rolling massage.

6. Rolling Button

To activate / deactivate a smooth massage with a steady, up and down rolling motion. Use with the ADJUST button to select roller width.

7. Heat Button

To activate / deactivate gentle heat at NECK and BACK node area.

8. Target Button

To stop and focus traveling massage nodes at desired position.

9. Air Compression Button

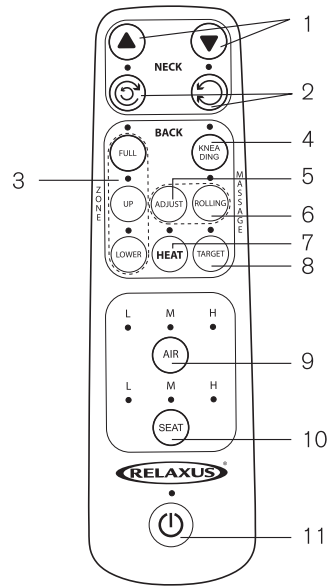
To activate / deactivate the seat and lumbar air squeeze function on thighs, seat and waist. Two pressure strengths are selectable and turn off the seat air squeeze function.

10. SEAT Button

To activate / deactivate SEAT Vibration Massage Program (Low, Medium, High).

11. Power Button

Power ON/ OFF must be ON for any function to work. Switching off the power while in operation will cause the rollers to return to their storage position.



PREPARATION BEFORE USE POWER ON / OFF

- Place massager on a sturdy chair. Insert power adaptor into power cord. Push until a “click” should be heard.
- Insert power adaptor plug into AC 120V 60HZ electrical outlet.
- Press on the remote to turn the unit on.
- Press again to turn the unit off.

OVERALL MESSAGE

- Select and combine massage programs from NECK BACK and SEAT according to your preference.
- The selected massage programs begin.
- During operation, you can adjust the roller width, neck position, roller options, air compression, heat etc, depending on the chosen massage.
- After the massage is completed and the unit is off, the rollers will return to their original position.
- Unplug its power plug from electrical outlet when the unit is not in use.

Note: The unit shuts off automatically after approximately 15 minutes.

CARE AND MAINTENANCE

- Wipe dust and dirt off the massage surface with a dry, soft cloth after use.
- Keep the massager clean and away from excessive humidity.

TROUBLESHOOTING

Problem	Possible Cause / Action
<ul style="list-style-type: none"> • Frictional sound of rollers against back rest cover. • Motor sound during operation. • Sound of air. 	<ul style="list-style-type: none"> • These sounds are the result of mechanical structure and not malfunction. • This may occur during normal operation.
<p>The massager does not start operation.</p>	<ul style="list-style-type: none"> • Ensure that the power is on. • Ensure that the power plug is firmly connected to the electrical outlet. • Ensure power adaptor is firmly connected to the power cord. • Check that the voltage at the electrical outlet is adequate. • After prolonged use, the massage motors may need to cool down to protect them. Please wait 30 minutes and try again.
<p>The massager rollers stop during the massage session.</p>	<ul style="list-style-type: none"> • The roller mechanism may be stalled when subjected to excessive force. • Release excessive force on the rollers.
<p>The heated lights on the massage nodes turned off unexpectedly after prolonged use.</p>	<ul style="list-style-type: none"> • The heated lights have a built-in safety feature to prevent overheating. After prolonged use, the safety feature will turn off the lights, allowing them to cool down for approximately 5 minutes. The lights will automatically reappear when safe to operate.

ONE YEAR WARRANTY

RELAXUS PRODUCTS LTD. warrants this product to be free from defects and faults for 365 calendar days from the date of purchase. This warranty does not cover (i) damage caused by improper or incorrect installation or use; (ii) breakage or damage from mishandling or other inadvertence; and (iii) use of this product for purposes for which it was not intended.

RELAXUS PRODUCTS LTD. retains discretion to repair, supply replacement parts or supply a new product of the same or substantially similar kind and quality during the period of this warranty. Proof of purchase is required for warranty purposes. This warranty is not transferable.



RELAXUS PRODUCTS LTD.

relaxus.com

TF. 1.800.668.9876

E. contact@relaxus.com

1590 Powell Street, Vancouver, BC, Canada