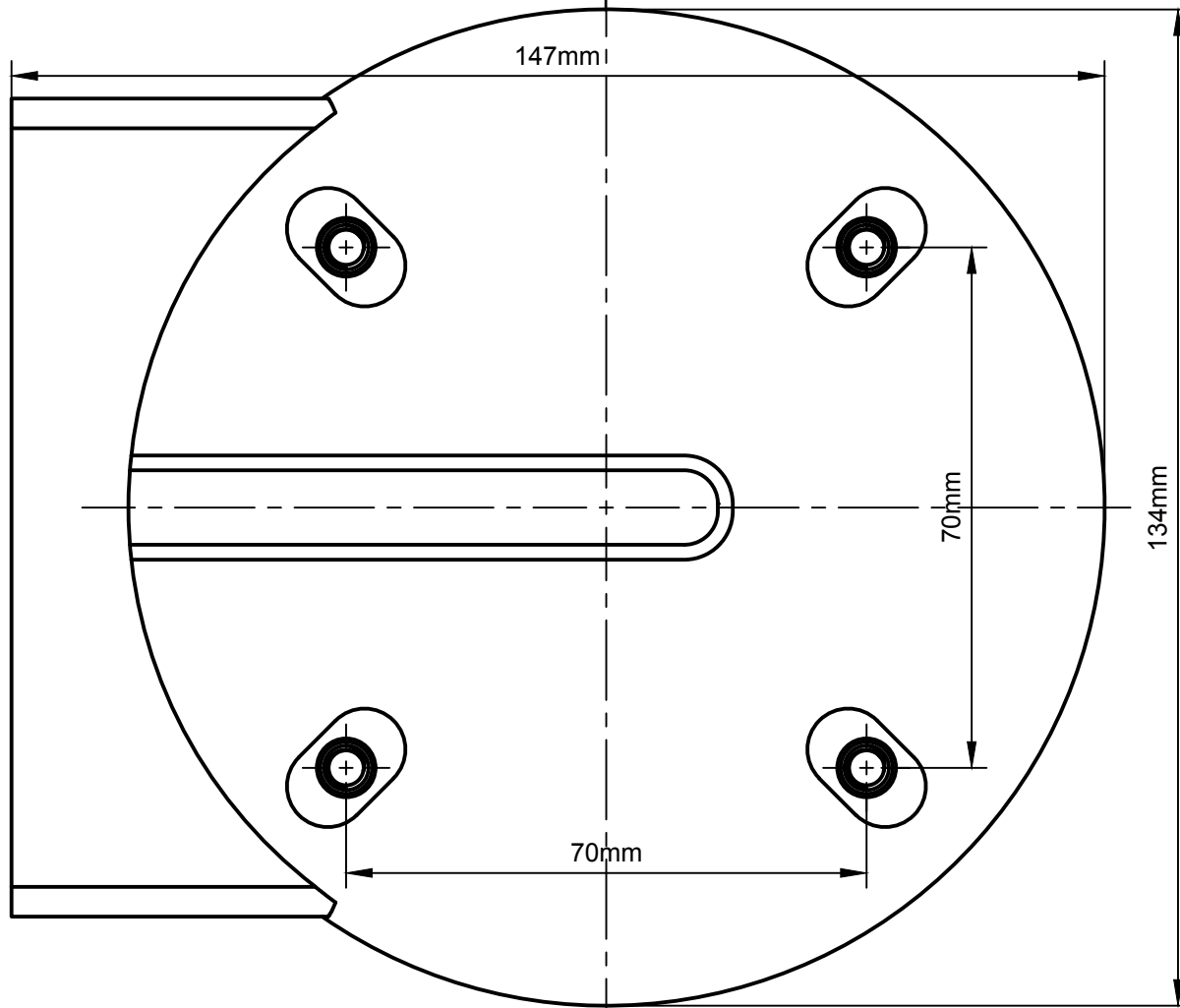


| | | | | |
|-------|---------------------|---------------------------------------|-----------------------------|--------------|
| Dept. | Technical reference | Created by MXessories.com 25-04-19 | Approved by | |
| | | Document type Dimensions | Document status | |
| | | Title pc2x wall stand | DWG No. | |
| | | Rev. 2 | Date of issue 26.08.2019 | Sheet 1/2 |



| | | | | | |
|-------|---------------------|---|-----------------|---------------------|-------------|
| Dept. | Technical reference | Created by Radu Cristea | 25-04-19 | | Approved by |
| | | Document type | Document status | | |
| | | Title Robotix pc2x wall stand | DWG No. | | |
| | | Rev. | Date of issue | Sheet 2/2 | |