

CONTENTS:


- (2) Brackets
- (1) Doorway Bar
- (2) Adjustable Straps
- (1) Swing
- (1) Hammock
- (1) Gym Ring Bar
- (2) Locking Carabiners
- (2) Storage bags





BE SAFE! ALWAYS FOLLOW THESE RULES

- **Warning.** Only for domestic use.
- **Warning.** Max weight limit 150 lb (68 kg)
- Product intended for children ages 3+
- Adult supervision is required at all times.
- This product should be unpacked and assembled by an adult, including site and tree selection.
- Adult installation is required. Children should not use product until properly installed.
- Instruct children not to walk close to, in front of, behind, or between moving swings.
- Instruct children not to jump from swings in motion
- Instruct children not to push empty swings, the seat may hit them and cause injury.
- Instruct children to sit in the center of chairs with their full weight on the seats.
- Wear close fitting clothing, NO scarves or other loose clothing.
- If worn or damaged parts are found, contact b4Adventure for replacement parts - Do not substitute with other, non-b4Adventure parts or failure resulting in injury could result.

FAILURE TO FOLLOW THESE INSTRUCTIONS COULD RESULT IN SERIOUS INJURY!

 **WARNING! ADULT ASSEMBLY REQUIRED-**
This product should be unpacked and assembled by an adult, including site selection, as well as the secure and proper installation

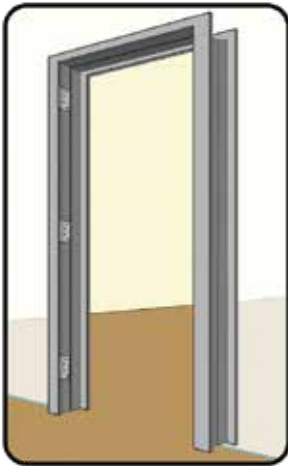
 **WARNING! ADULT SUPERVISION REQUIRED! SERIOUS INJURY OR DEATH MAY RESULT -**
Always exercise extreme caution when using the Kidtrix Doorway Bar. Keep bystanders at least 10 ft (3 m) away from the swing zone to avoid collisions

 **WARNING!** The safety of this product is dependent upon the structural integrity of the doorframe in which it is installed. When installed correctly, the doorway bar will put intense internal pressure on the doorframe which can cause the doorframe to expand. It is important to check that the bar is fully extended and secured in the door frame before each use. Mandatory stress load test is required upon each installation of the Kidtrix Doorway Bar. **NEVER USE THE KIDTRIX DOORWAY BAR IF THERE ARE SIGNS OF WEAKNESS SUCH AS CRACKING, OR SPLINTERING IN THE DOOR FRAME OR ANY OF THE SURROUNDING WALLS.**

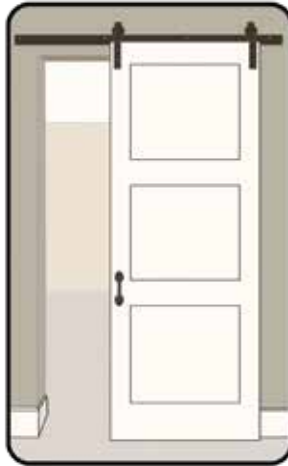
SITE SELECTION

- The Kidtrix system will **NOT** work with below types of door frames

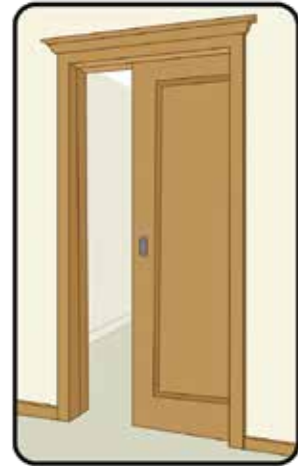
Metal



Sliding Barn



Pocket



Pre-Fabricated
(Mobile Home)



Sliding Glass



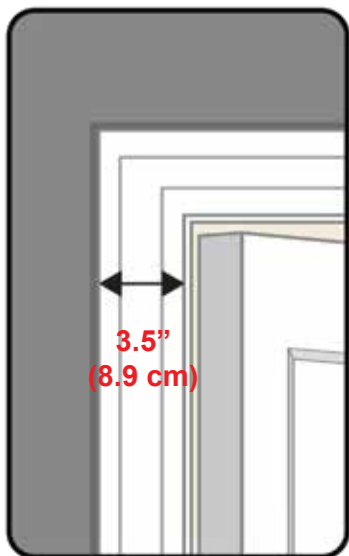
Archways
(Any doorway
without door jamb)



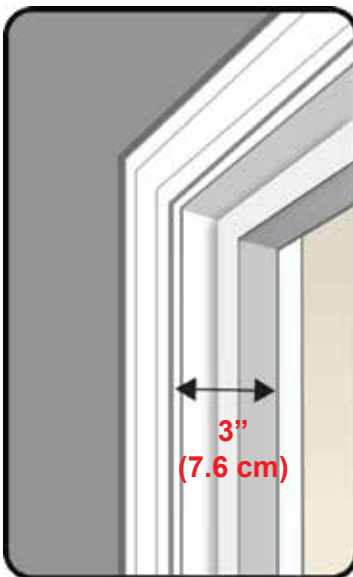
- The Kidtrix bar expands and puts intense internal pressure on the door frame. It is meant to be used with doorways that use standard construction. Including but not limited to, solid wood framing and appropriate stud spacing.
- Failure to use a strong door frame will result in unsafe installation and possibly door frame damage as the lateral pressure can push the frame apart.
- The Kidtrix system only works with standard door frames with a door jamb.

SITE SELECTION

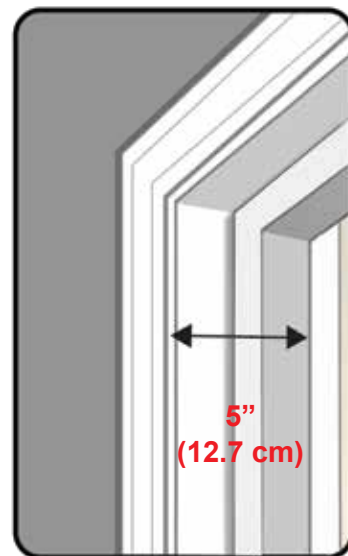
• Doorway must meet the below specifications in order for Kidtrix system to fit properly and be secured safely.



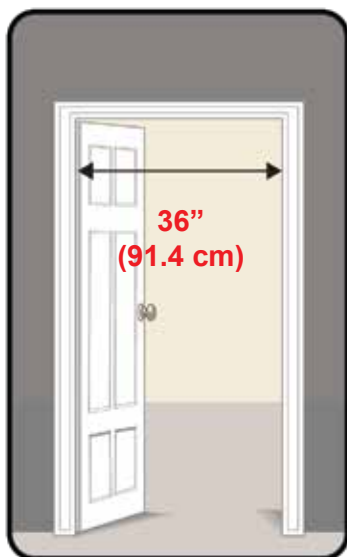
Minimum exterior width of door frame
3.5 in (8.9 cm)



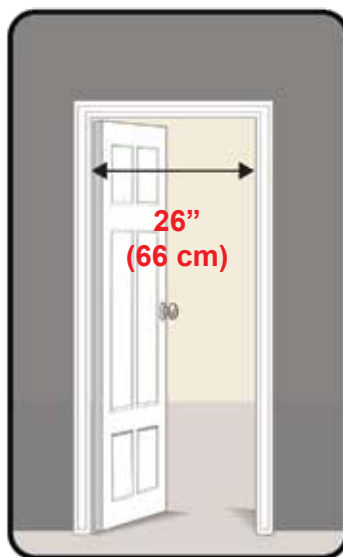
Minimum width from inside of door jamb to outside of door frame
3 in (7.6 cm)



Maximum width from inside of door jamb to outside of door frame
5 in (12.7 cm)



Maximum door frame size
36 in (91.4 cm)



Minimum door frame size
26 in (66 cm)



A1. Hanging Straps
A2. Swing Storage Bag
B. Gym Bar

C. Steel Doorway Bar
D1. Bracket 1
D2. Bracket 2

E. Hammock Storage Bag
F. Soft Swing
G. Sensory Hammock

DOORWAY BAR INSTALLATION INSTRUCTIONS

- Please note you will not be able to close the door once the Kidtrix is installed
- **Warning!** do not block the doorway in the event of an emergency

STEP 1

- Twist out both sides of the Bar (C) to extend the width to fit inside your doorway.
- Line up the Brackets (D1 & D2) From the front edge of the door to the door jam (2a) *where the door would normally close.* The Gravity Wedge (Da.) on the Bracket should tuck behind the door jam. Turn the knob to pre-fit the bracket onto the door frame loosely. To make sure you have it screwed to approximately the right size. At this point you want it to be a little deeper than the depth of the front of the frame to the door jam.
- Make sure black tightening sleeves (Ca.) are on both sides of the bar and insert both ends of the bar into the brackets.
- **NOTE:** The slots located at the end of each end of the bar lock into place with the notch located on the inside of the bracket. This is meant to prevent the outer bars from rotating during installation (Figure 3)

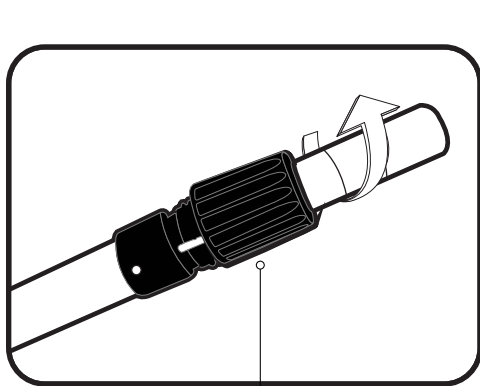


Figure 1.

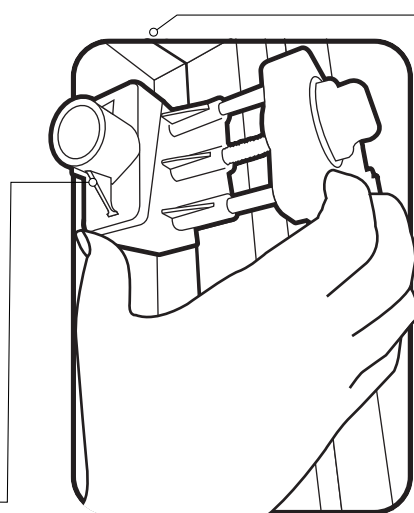


Figure 2.

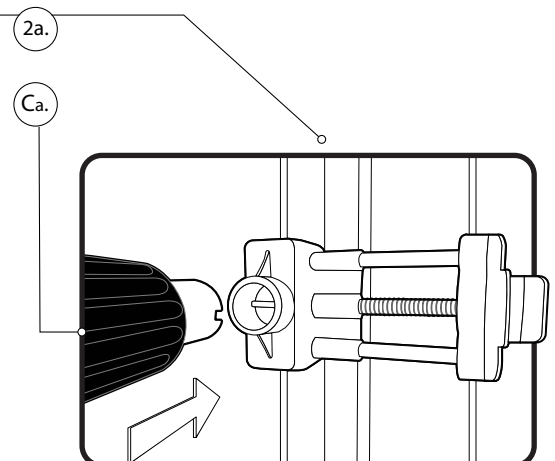
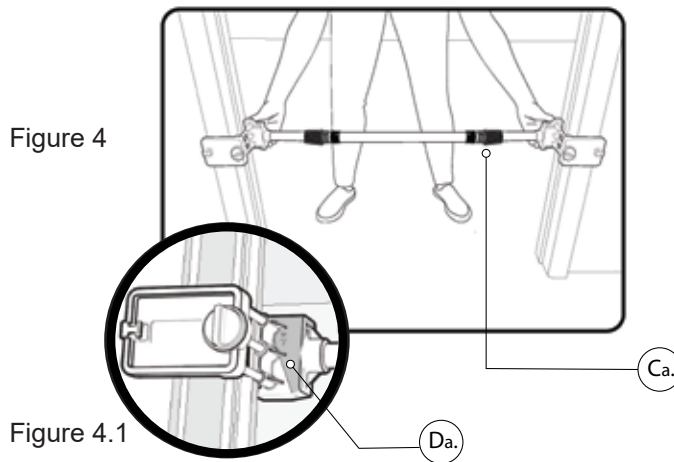


Figure 3.

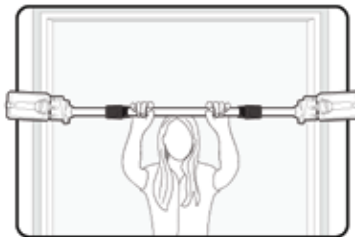
STEP 2

- Once Bar (C.) and Brackets have been locked together, it's time to attach them to the door.
- The gravity wedge (Da.) should be placed on the inside of the door jamb (where door would normally close), and the outside of the bracket should be placed on the exterior of door frame.
- Sleeves (Ca) should remain on the bar during installation, as they will be used to lock the bar in place and prevent rotation once in place.
- Roll out the bar until it is slightly less than the width of the door frame. (Figure 2)
- NOTE: if the bar or vice grips are too tight, you will not be able to move it up, loosen slightly to slide bar up to desired height.
- **Follow the arrow directions and make sure that the gravity wedge is in the proper orientation. The wedge is meant to push outwardly towards the door frame as you pull down (Figure 4.1)**



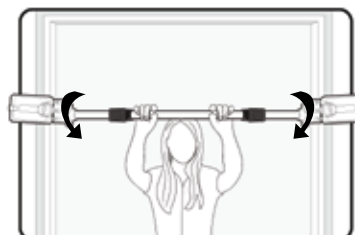
STEP 3

- Slide the bar and brackets up the door frame until you reach the desired height.
- All Kidtrix accessories are designed to be hung close to the top of a standard door height.
- NOTE: there shall be no part of the activity toy where the child is able climb, sit or stand above a height of 8 ft (2.5 m).



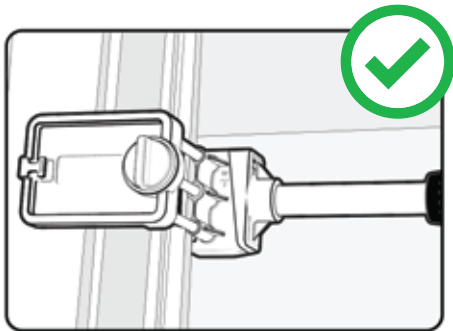
STEP 4

- Once you have reached the desired height, roll the bar out until you can no longer turn the bar, and the bar is secure in the door frame.

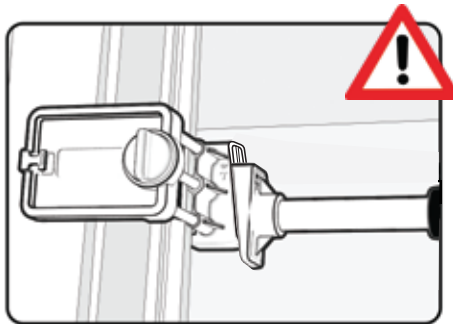


DOORWAY BAR INSTALLATION INSTRUCTIONS

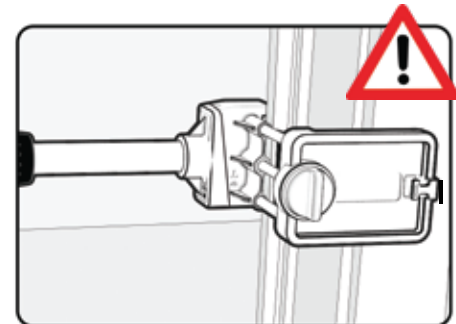
- NOTE: The gravity wedges will gradually slide upward into the locked position as you roll out the bar and create pressure between the wedge and the door frame. NEVER extend the bar fully without the wedge in a locked position on both sides.



LOCKED POSITION



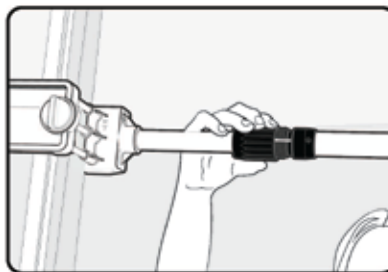
UNLOCKED POSITION



UPSIDE DOWN

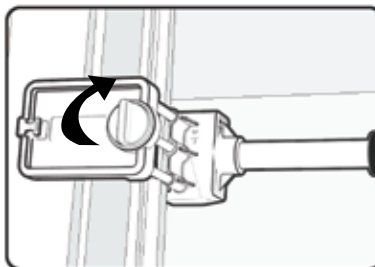
STEP 5

- Once the bar is fully extended between the door frame, secure the bar by tightening the black sleeve. This will lock the bar in place and prevent rotation during use.



STEP 6

- Once bar is secured, tighten the nobs on both brackets until the nob can no longer turn and the brackets are secured to the door frame.
- NOTE: if your brackets are being used on a sloped frame, it is ok that the entire grip is not flush with the door frame. This vice grip is only meant to prevent the main gravity wedge from moving.



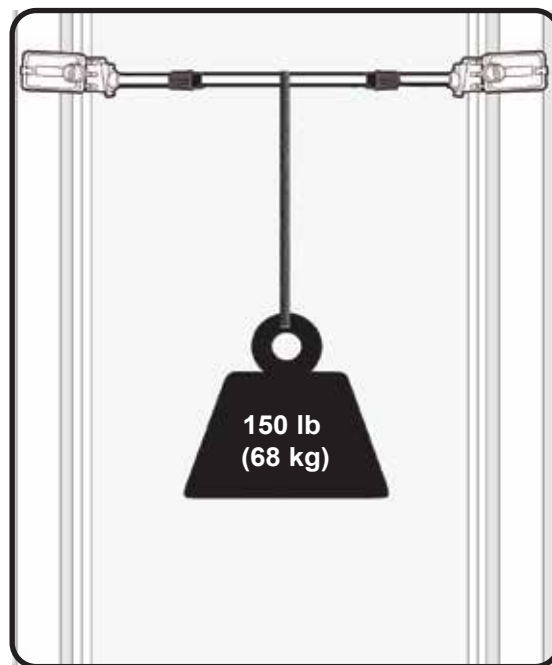
INSPECTION AND MANDATORY STRESS LOAD TEST

• Before anyone uses the Kidtrix, you must:

Step 1: Keep your course clear - Bystanders should maintain a safe distance of at least 3 ft (1 m) to prevent impact during stress load test.

Step 2: Inspect your equipment- Carefully examine your Kidtrix for any signs of wear, damage or deterioration. Replace only with genuine b4Adventure parts. Call 1-844-834-4334

Step 3: MANDATORY LOAD STRESS TEST- Suspend 150 lb (68 kg) from your doorway bar by attaching weights or by having 1 adult weighing apx. 150 lb grip the bar and gradually suspend their weight on the bar until both of their feet are off the ground. CAUTION: If at any time during the testing, if you hear or see signs of weakness (cracking sounds, splintering etc.) stop your test, you must select either a different location or replace damaged parts.



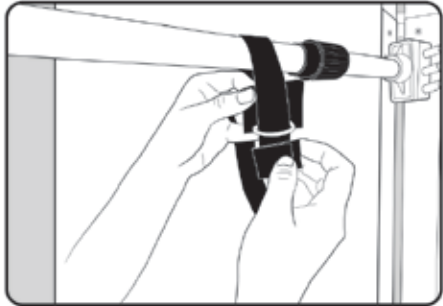
Warning! Make sure that all obstacles are straight in the doorway. Failure to do so may make the child turn as they are moving through the door frame and could cause injury.



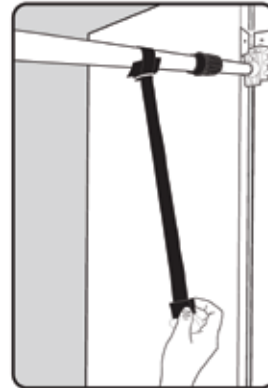
• Minimum clearance required on both sides (backward and forward) of the swing should equal no less than 2X the length of the swing itself.

SWING INSTALLATION INSTRUCTIONS

- Minimum Ground Clearance—When the assembled swing set is installed according to the manufacturer’s instructions, the minimum clearance between the ground surface and the underside of any suspended unit shall be 1 ft (35 cm).
- There shall be no part of the activity toy where the child is able climb , sit or stand above a height of 8 ft (2.5 m).



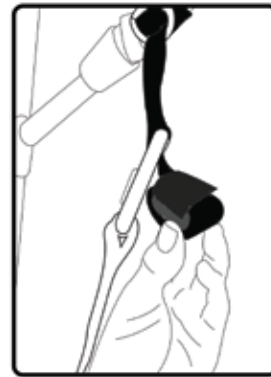
- Loop the adjustable straps over the bar
- Feed the front of the strap through the ring on the back of the strap.



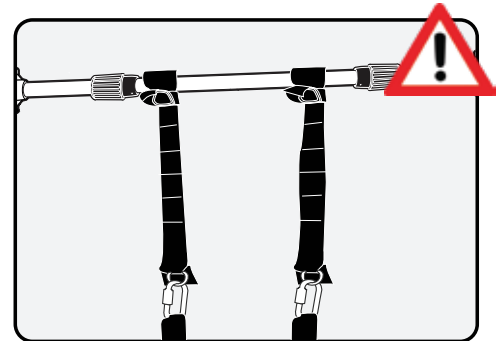
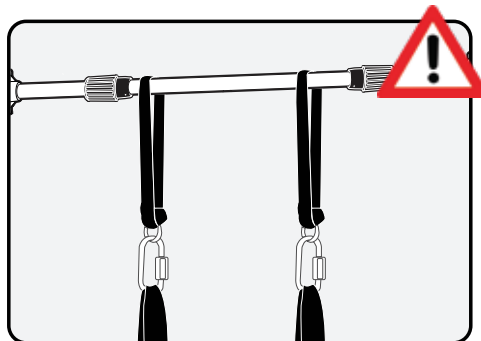
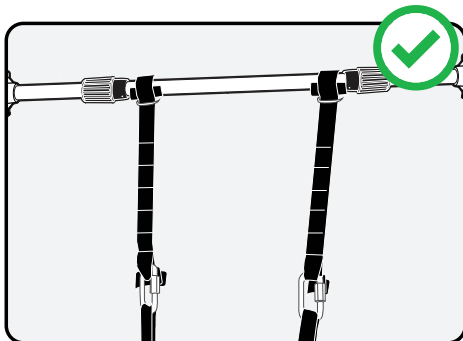
- Pull the strap down.
- There should be a strip of fabric between the ring and the bar.



- Adjust the height of your swing, or other accessories (sold separately), by determining appropriate height and attaching the locking carabiner through one of the sewn in loops on the strap.



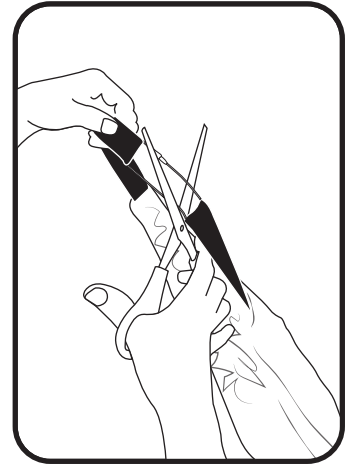
- Roll up and secure excess line with velcro loop to keep out of the way.



HAMMOCK INSTALLATION INSTRUCTIONS

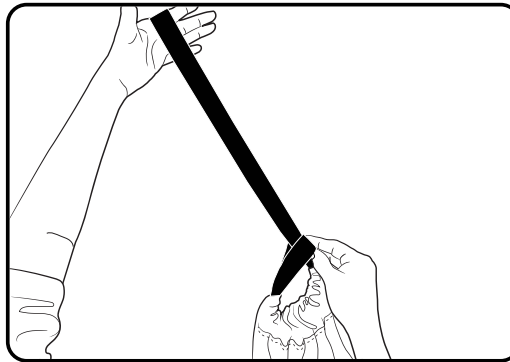
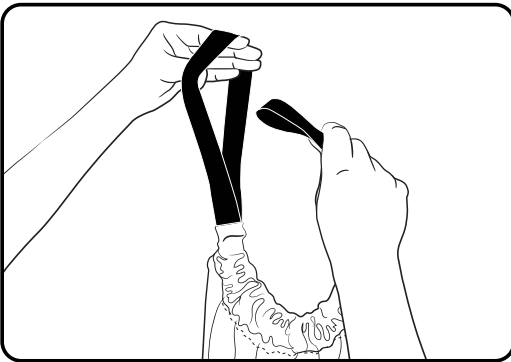
STEP 1

- Cut off the white strings that hold the black straps on each side.
- NOTE: Make sure that the straps do not recede back into the green fabric.
- Push in fabric to the middle to discover more of the straps.



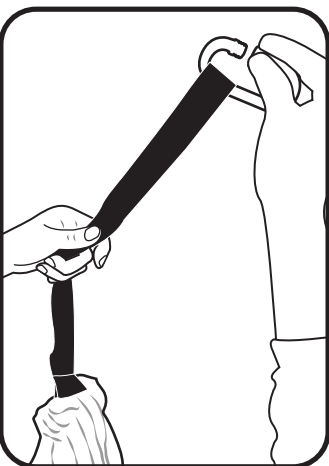
STEP 2

- Loop one end of the black straps through the other end. Then pull until tight.



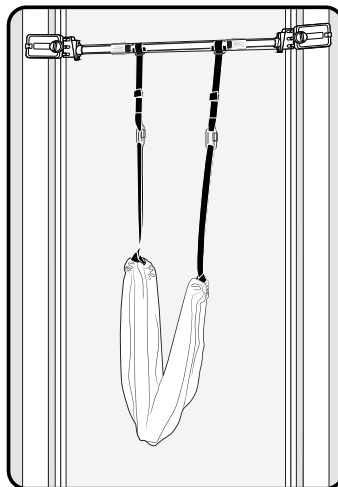
STEP 3

- Attach carabiner.



STEP 4

- Clip carabiner to straps that were installed on the bar.





Store hammock or swing in included bags when not in use



PRODUCT DISCLAIMER & NOTICE

The installation and use of the Kidtrix is potentially hazardous. Any person purchasing, installing or using equipment from the b4Adventure must:

Observing the following statements and warnings reduces the likelihood of serious or fatal injury:

- Maximum user weight should not exceed 150 lb. (68 kg)
- there shall be no part of the activity toy where the child is able climb , sit or stand above a height of 8 ft (2.5 m).
- Instruct children not to walk close to, in front of, behind, or between moving items,
- Instruct children not to twist swing chains or ropes or loop them over the top support bar since this may reduce the strength of the chain or rope.
- Instruct children to avoid swinging empty seats.
- Teach children to sit in the center of the swings with their full weight on the seat.
- Instruct children not to use the equipment in a manner other than intended.
- Do not allow children to wear inappropriate items, such as but not limited to, loose fitting clothing, hood and neck drawstrings, scarves, cord-connected items, capes and ponchos. These items can cause death by strangulation.
- Instruct children not to attach items to the playground equipment that are not specifically designed for use with the equipment, such as, but not limited to, jump ropes, clothesline, pet leashes, cables and chain as they may cause a strangulation hazard.
- Ensure proper & adequate supervision and instruction (this include the continuous use of appropriate safety procedures & equipment) for themselves and others using the equipment;
- Check that all equipment is properly maintained, in good working order and inspected for damage or wear prior to each use.
- You assume all risks and accept full responsibility for any injury (including death) or damages that may occur from its use.

All the information provided by b4Adventure either printed, electronic or other, is not to be considered professional instruction or advice. Users of this equipment are encouraged to seek professional instruction regarding specific questions about usage, location, installation or other aspects of hanging swings.

Please save these instructions for future reference.

Owners shall be responsible for maintaining the legibility of the warning labels.

Disposal instructions: Recycle your Kid Trix according to Local, State or Federal Laws.

PRODUCT CONFORMS TO ASTM F1148, CONSUMER SAFETY PERFORMANCE SPECIFICATION FOR HOME PLAYGROUND EQUIPMENT