

CONTENTS:


- (2) Brackets
- (1) Doorway Bar
- (2) Adjustable Straps
- (1) Swing
- (2) Locking Carabiners
- (1) Storage bag




BE SAFE! ALWAYS FOLLOW THESE RULES

- **Warning.** Only for domestic use.
- **Warning.** Max weight limit 150 lb (68 kg).
- Product intended for children ages 3+
- Adult supervision is required at all times.
- This product should be unpacked and assembled by an adult, including site selection.
- Adult installation is required. Children should not use the product until properly installed.
- Instruct children not to walk close to, in front of, behind, or between moving items.
- Instruct children to avoid swinging empty seats.
- Instruct children to sit in the center of the swings with their full weight on the seats.
- Instruct children not to use the equipment in a manner other than intended.
- Instruct children not to get off equipment while it is in motion.
- If worn or damaged parts are found, contact b4Adventure for replacement parts - Do not substitute with other, non-b4Adventure parts or failure resulting in injury could result.

 **WARNING! ADULT ASSEMBLY REQUIRED-**
This product should be unpacked and assembled by an adult, including site selection, as well as the secure and proper installation.

 **WARNING! ADULT SUPERVISION REQUIRED! SERIOUS INJURY OR DEATH MAY RESULT -**
Always exercise extreme caution when using the Kidtrix Doorway Bar. Keep bystanders at least 10 ft (3 m) away from the swing zone to avoid collisions.

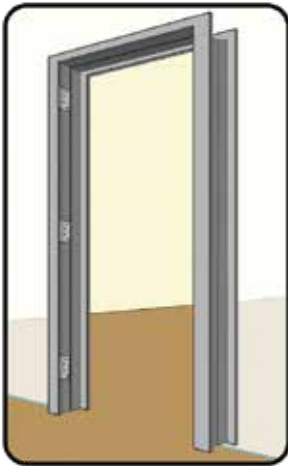
FAILURE TO FOLLOW THESE INSTRUCTIONS COULD RESULT IN SERIOUS INJURY!

 **WARNING!** The safety of this product is dependent upon the structural integrity of the door frame in which it is installed. When installed correctly, the doorway bar will put intense internal pressure on the door frame which can cause the door frame to expand. It is important to check that the bar is fully extended and secured in the door frame before each use. Mandatory stress load test is required upon each installation of the Kidtrix Doorway Bar. **NEVER USE THE KIDTRIX DOORWAY BAR IF THERE ARE SIGNS OF WEAKNESS SUCH AS CRACKING, OR SPLINTERING IN THE DOOR FRAME OR ANY OF THE SURROUNDING WALLS.**

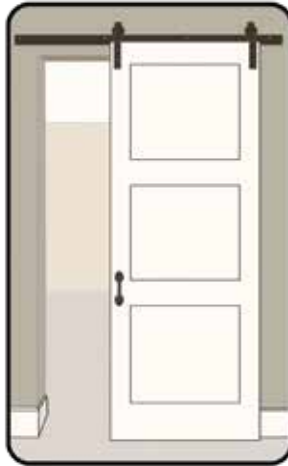
SITE SELECTION

- The Kidtrix system will **NOT** work with below types of door frames:

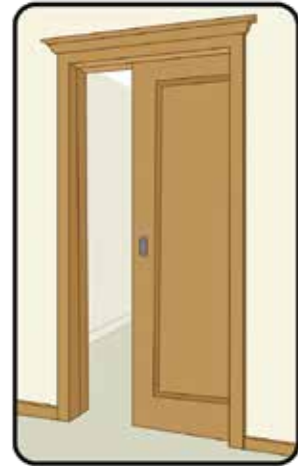
Metal



Sliding Barn



Pocket



Pre-Fabricated
(Mobile Home)



Sliding Glass



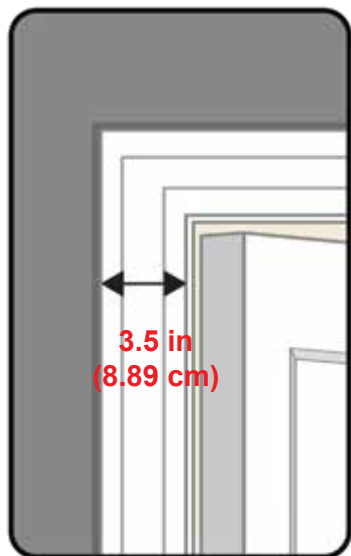
Archways
(Any doorway
without door jamb)



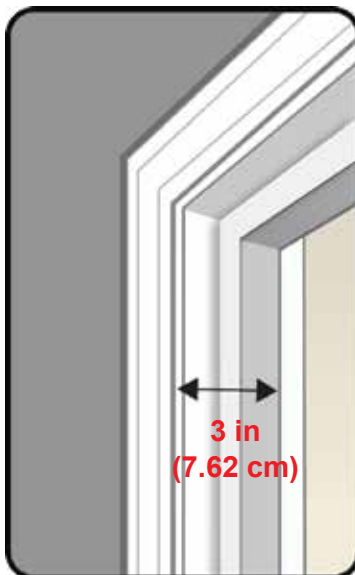
- The Kidtrix bar expands and puts intense internal pressure on the door frame. It is meant to be used with doorways that use standard construction. Including but not limited to, solid wood framing and appropriate stud spacing.
- Failure to use a strong door frame will result in unsafe installation and possibly door frame damage as the lateral pressure can push the frame apart.
- The Kidtrix system only works with standard door frames with a door jamb.

SITE SELECTION

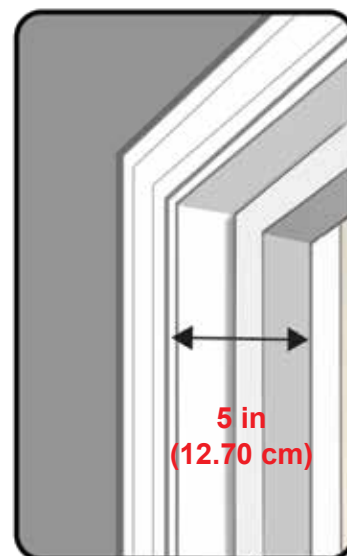
• The doorway must meet the below specifications in order for the Kidtrix system to fit properly and be secured safely.



Minimum exterior width of door frame
3.5 in (8.89 cm)



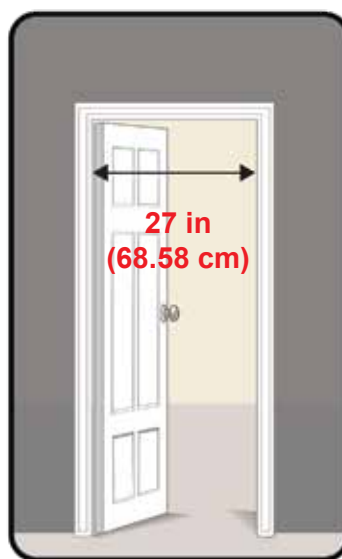
Minimum width from inside of door jamb to outside of door frame
3 in (7.62 cm)



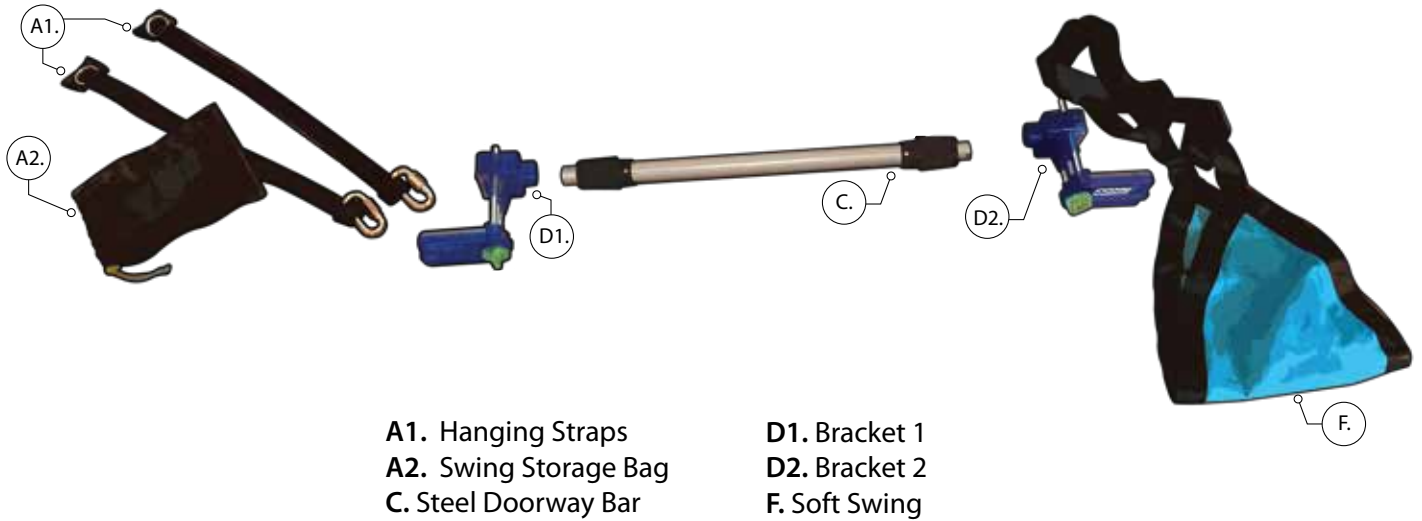
Maximum width from inside of door jamb to outside of door frame
5 in (12.70 cm)



Maximum door frame size
36 in (91.44 cm)



Minimum door frame size
27 in (68.58 cm)

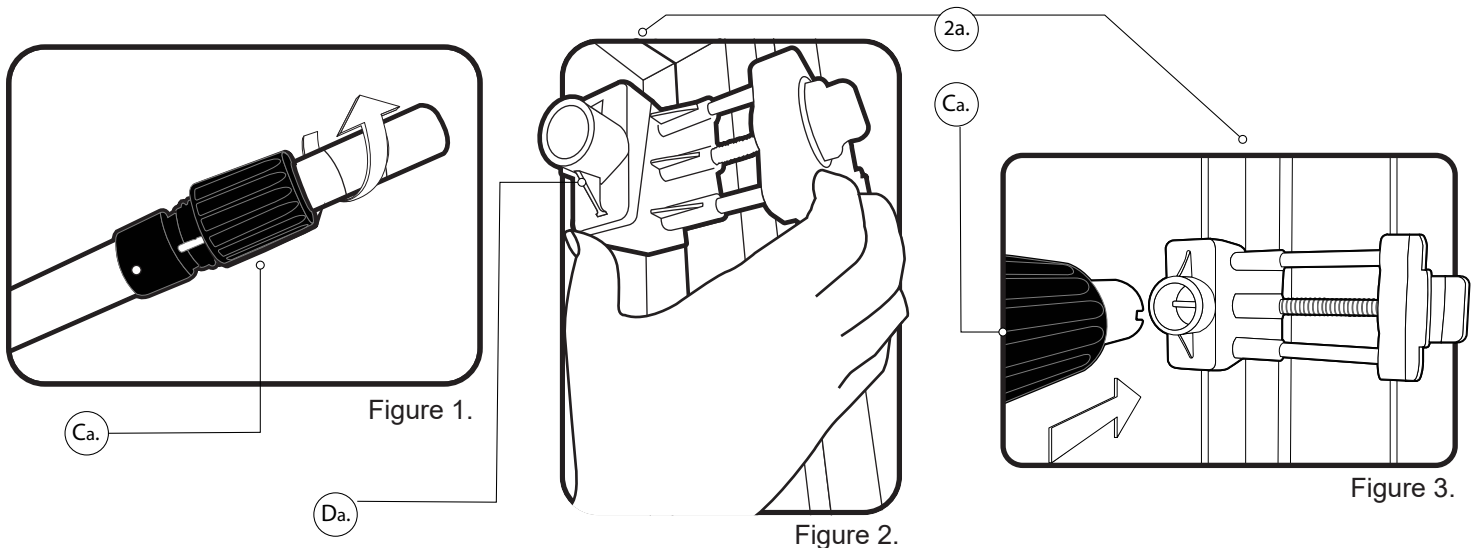


DOORWAY BAR INSTALLATION INSTRUCTIONS

- Please note you will not be able to close the door once the Kidtrix is installed.
- **Warning!** Do not block the doorway in the event of an emergency.

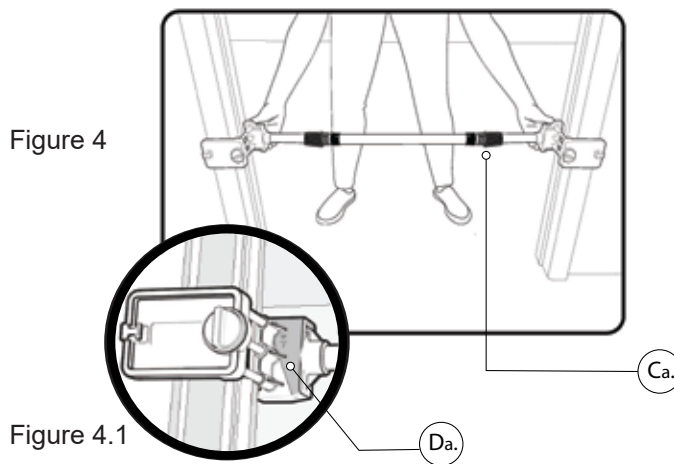
STEP 1

- Twist out both sides of the bar (C) to extend the width to fit inside your doorway.
- Line up the brackets (D1 & D2) from the front edge of the door to the door jamb (2a where the door would normally close). The gravity wedge (Da) on the bracket should tuck behind the door jamb. Turn the knob to pre-fit the bracket onto the door frame loosely to make sure you have it screwed to approximately the right size. At this point, you want it to be a little deeper than the depth of the front of the frame to the door jamb.
- Make sure black tightening sleeves (Ca) are on both sides of the bar and insert both ends of the bar into the brackets.
- **NOTE:** the slots located at the end of each end of the bar lock into place with the notch located on the inside of the bracket. This is meant to prevent the outer bars from rotating during installation (Figure 3).



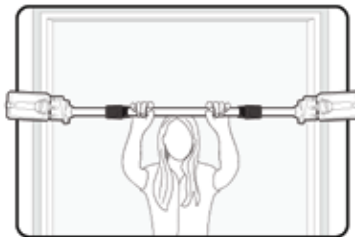
STEP 2

- Once bar (C) and brackets have been locked together, it's time to attach them to the door.
- The gravity wedge (Da) should be placed on the inside of the door jamb (where the door would normally close), and the outside of the bracket should be placed on the exterior of the door frame.
- Sleeves (Ca) should remain on the bar during installation, as they will be used to lock the bar in place and prevent rotation once in place.
- Roll out the bar until it is slightly less than the width of the door frame (Figure 2).
- NOTE: if the bar or vice grips are too tight, you will not be able to move it up, loosen slightly to slide the bar up to desired height.
- **Follow the arrow directions and make sure that the gravity wedge is in the proper orientation. The wedge is meant to push outwardly towards the door frame as you pull down (Figure 4.1).**



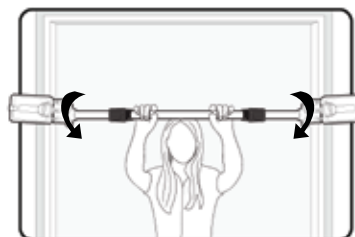
STEP 3

- Slide the bar and brackets up the door frame until you reach the desired height.
- All Kidtrix accessories are designed to be hung close to the top of a standard door height.
- NOTE: there shall be no part of the activity toy where the child is able to climb, sit or stand above a height of 8 ft (2.5 m).



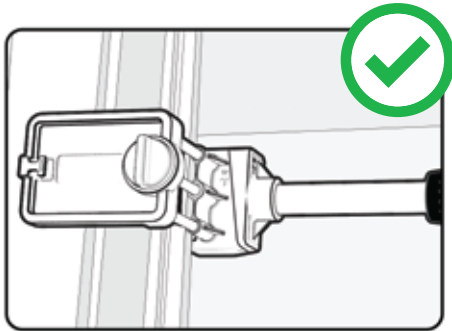
STEP 4

- Once you have reached the desired height, roll the bar out until you can no longer turn the bar, and the bar is secured in the door frame.

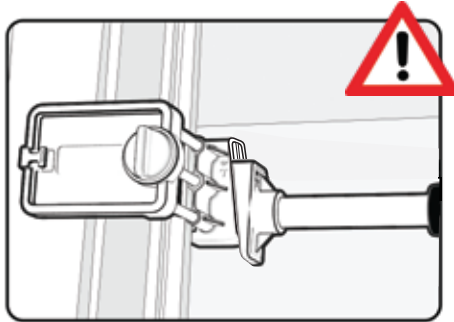


DOORWAY BAR INSTALLATION INSTRUCTIONS

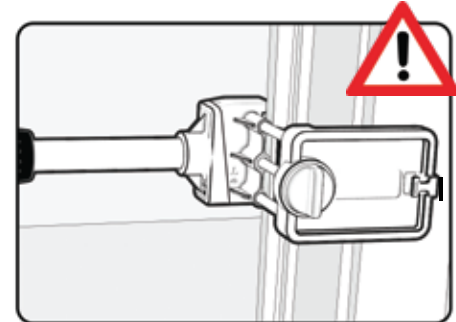
• NOTE: The gravity wedges will gradually slide upward into the locked position as you roll out the bar and create pressure between the wedge and the door frame. NEVER extend the bar fully without the wedge in a locked position on both sides.



LOCKED POSITION



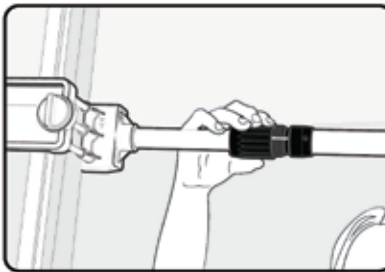
UNLOCKED POSITION



UPSIDE DOWN

STEP 5

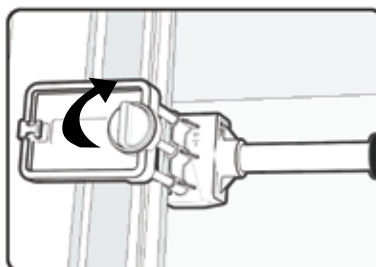
• Once the bar is fully extended between the door frame, secure the bar by tightening the black sleeve. This will lock the bar in place and prevent rotation during use.



STEP 6

• Once the bar is secured, tighten the nobs on both brackets until the nobs can no longer turn and the brackets are secured to the door frame.

• NOTE: if your brackets are being used on a sloped frame, it is okay that the entire grip is not flush with the door frame. This vice grip is only meant to prevent the main gravity wedge from moving.



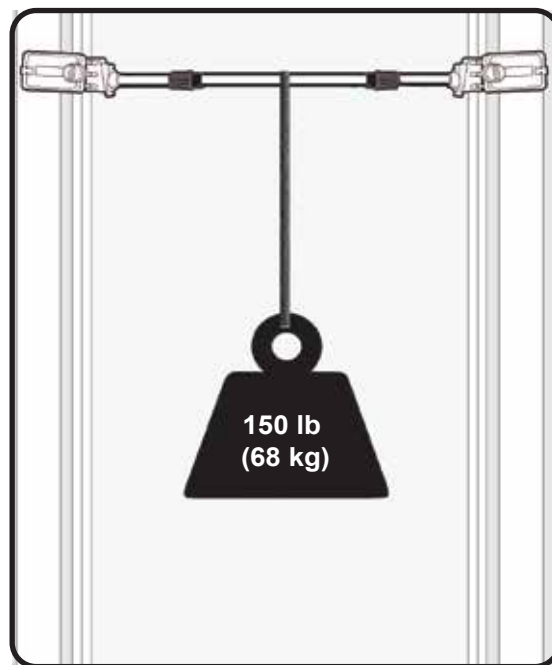
INSPECTION AND MANDATORY STRESS LOAD TEST

• Before anyone uses the Kidtrix, you must:

Step 1: Keep your course clear - Bystanders should maintain a safe distance of at least 3 ft (1 m) to prevent impact during the stress load test.

Step 2: Inspect your equipment - carefully examine your Kidtrix for any signs of wear, damage, or deterioration. Replace only with genuine b4Adventure parts. Call 1-844-834-4334

Step 3: MANDATORY LOAD STRESS TEST- Suspend 150 lb (68 kg) from your doorway bar by attaching weights or by having 1 adult weighing approximately 150 lb grip the bar and gradually suspend their weight on the bar until both of their feet are off the ground. CAUTION: If at any time during the testing, if you hear or see any signs of weakness (cracking sounds, splintering, etc.) stop your test, you must select either a different location or replace damaged parts.



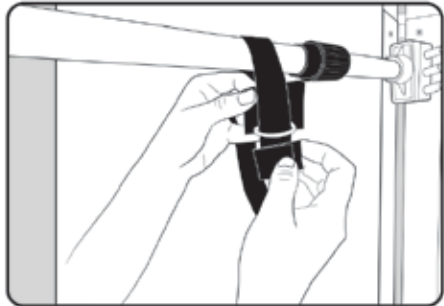
Warning! Make sure that all obstacles are straight in the doorway. Failure to do so may make the child turn as they are moving through the doorframe and could cause injury.



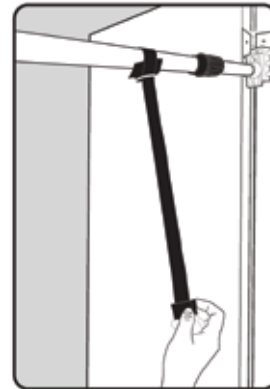
• Minimum clearance required on both sides (backward and forward) of the swing should equal no less than 2X the length of the swing itself.

SWING INSTALLATION INSTRUCTIONS

- Minimum Ground Clearance — When the assembled swing set is installed according to the manufacturer's instructions, the minimum clearance between the ground surface and the underside of any suspended unit shall be 1 ft (35 cm).
- There shall be no part of the activity toy where the child is able to climb, sit or stand above a height of 8 ft (2.5 m).



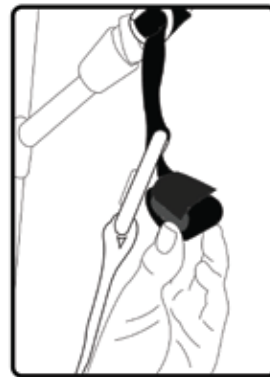
- Loop the adjustable straps over the bar
- Feed the front of the strap through the ring on the back of the strap.



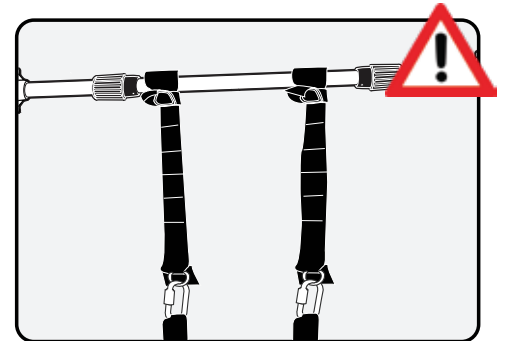
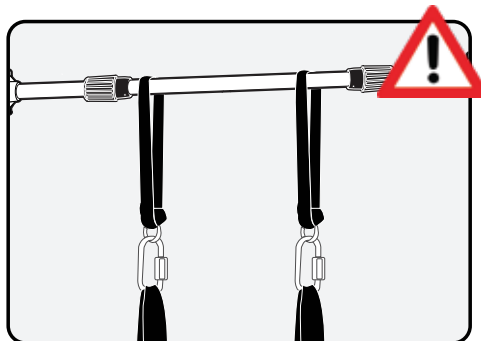
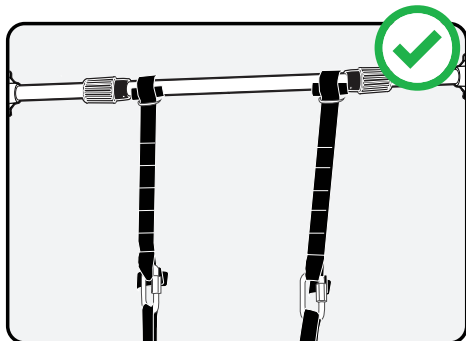
- Pull the strap down.
- There should be a strip of fabric between the ring and the bar.



- Adjust the height of your swing, or other accessories (sold separately), by determining the appropriate height and attaching the locking carabiner through one of the sewn-in loops on the strap.



- Roll up and secure excess line with velcro loop to keep out of the way.





Store swing in the included bag
when not in use



PRODUCT DISCLAIMER & NOTICE

The installation and use of the Kidtrix are potentially hazardous. Any person purchasing, installing, or using equipment from the b4Adventure must:

Observing the following statements and warnings reduces the likelihood of serious or fatal injury:

- Maximum user weight should not exceed 150 lb (68 kg).
- There shall be no part of the activity toy where the child is able to climb, sit or stand above a height of 8 ft (2.5 m).
- Instruct children not to walk close to, in front of, behind, or between moving items.
- Instruct children not to twist swing chains or ropes or loop them over the top support bar since this may reduce the strength of the chain or rope.
- Instruct children to avoid swinging empty seats.
- Instruct children to sit in the center of the swings with their full weight on the seats.
- Instruct children not to use the equipment in a manner other than intended.
- Do not allow children to wear inappropriate items, such as but not limited to, loose fitting clothing, hood and neck drawstrings, scarves, cord-connected items, capes and ponchos. These items can cause death by strangulation.
- Instruct children not to attach items to the playground equipment that are not specifically designed for use with the equipment, such as, but not limited to, jump ropes, clothesline, pet leashes, cables, and chain as they may cause a strangulation hazard.
- Ensure proper & adequate supervision and instruction (this includes the continuous use of appropriate safety procedures & equipment) for themselves and others using the equipment.
- Check that all equipment is properly maintained, in good working order, and inspected for damage or wear prior to each use.
- You assume all risks and accept full responsibility for any injury (including death) or damages that may occur from its use.

All the information provided by b4Adventure either printed, electronic or other, is not to be considered professional instruction or advice. Users of this equipment are encouraged to seek professional instruction regarding specific questions about usage, location, installation, or other aspects of hanging swings.

Please save these instructions for future reference.

Owners shall be responsible for maintaining the legibility of the warning labels.

Disposal instructions: Recycle your Kidtrix according to Local, State, or Federal Laws.

PRODUCT CONFORMS TO ASTM F1148, CONSUMER SAFETY PERFORMANCE SPECIFICATION FOR HOME PLAYGROUND EQUIPMENT