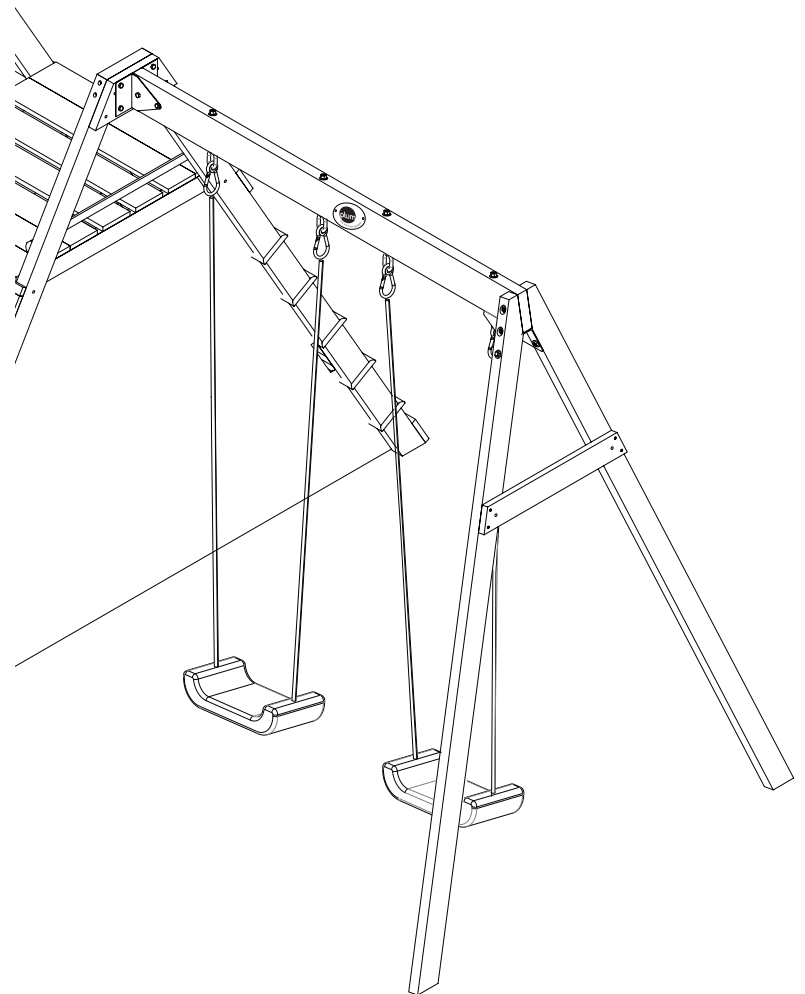


assembly instructions

climbing pyramid : swing arm unit

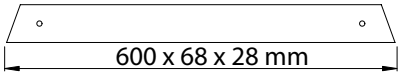
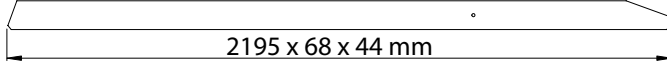
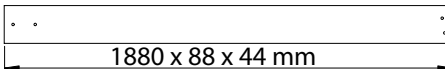
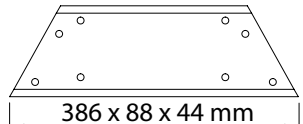
assembly requires 2 adults
(approx. 1 hours assembly time)



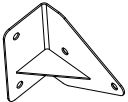
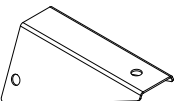


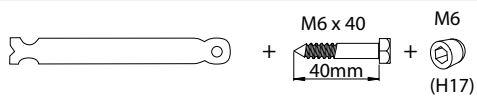
The mark of
responsible forestry

WARNING! Not suitable for children under 36 months – fall hazard/small parts -choke hazard. Max user age 12 years. Min user age 3 years. Max user weight 50kg. Only for domestic use. Outdoor use only. Adult assembly required. Adult supervision recommended at all times.

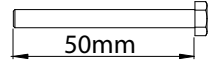
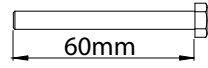
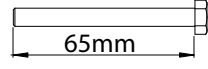
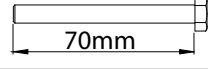
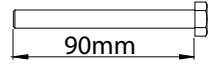
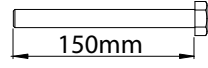






PART ID WOOD: PARTS LIST QUANTITY

D1909		1
D1904		2
D1879		1
D1878		1

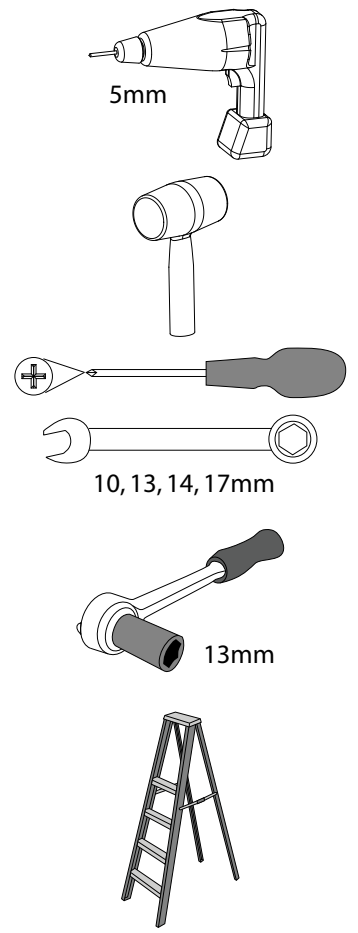
HARDWARE: PARTS LIST

D482		2
D1643		1
DA14		4
H05		2
H17		4

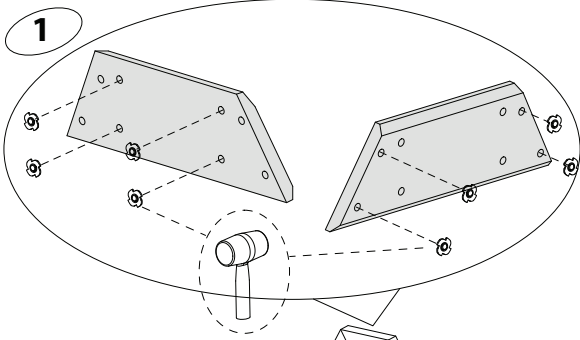
FASTENER LIST:

M8 x 50		4
M8 x 60		3
M8 x 65		2
M8 x 70		2
M8 x 90		4
M8 x 150		1
M8 T-NUT		10
M8 SPRING		10
M8X25 WASHER		14
M8 CAP		3
M8 SAFETY NUT		6
M10 CAP		4

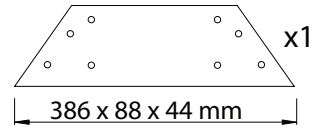
TOOLS:



1

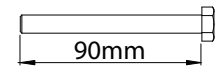


D1878



x1

M8 x 90 (BOLT)



x4

M8x25mm WASHER



x4

M8 T-NUT

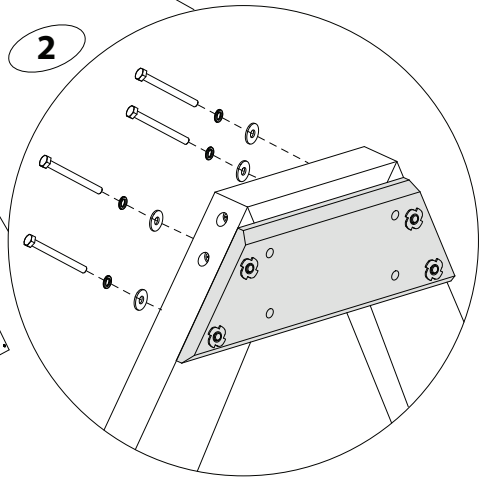
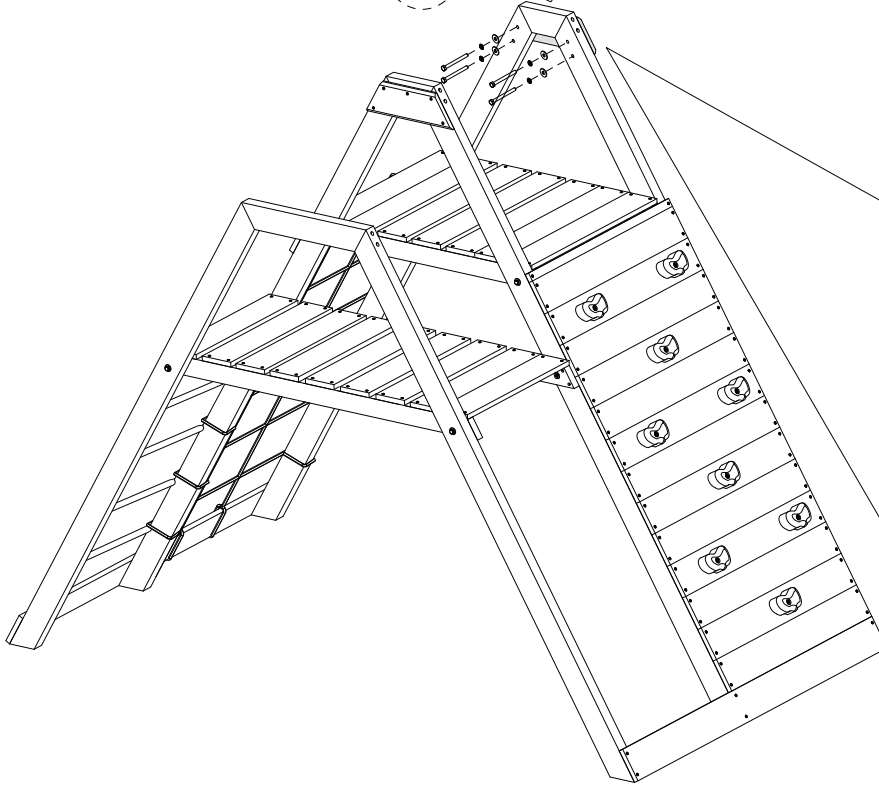


x8

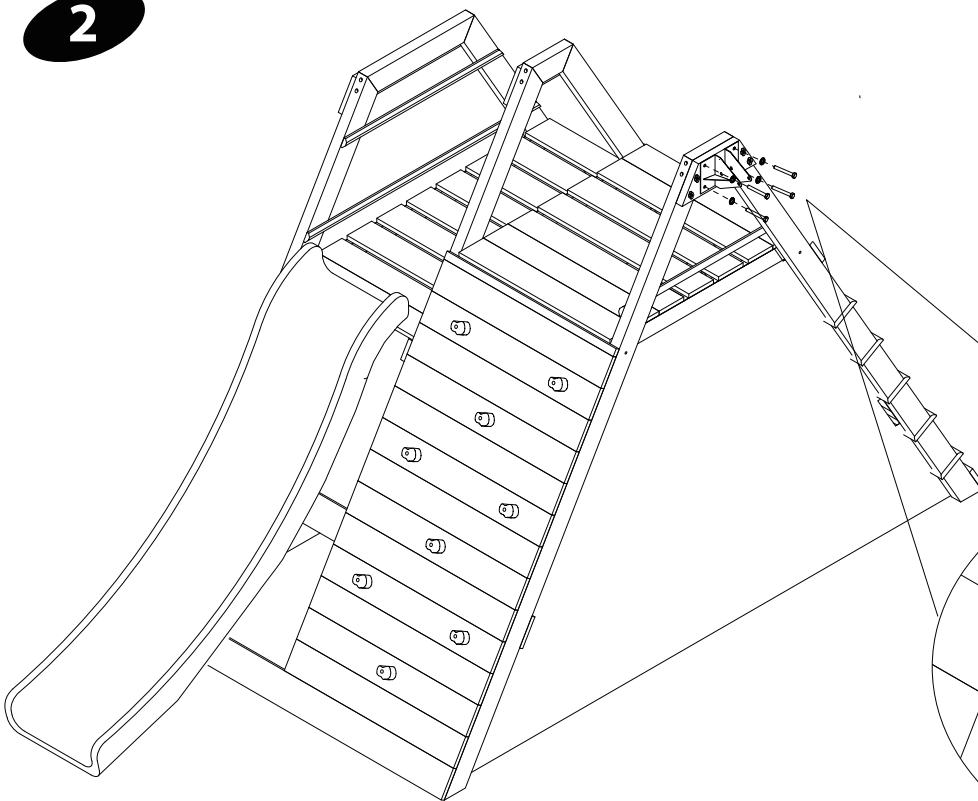
M8 SPRING WASHER



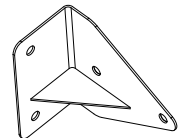
x4



2

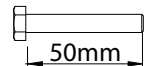


D482



x2

M8 x 50

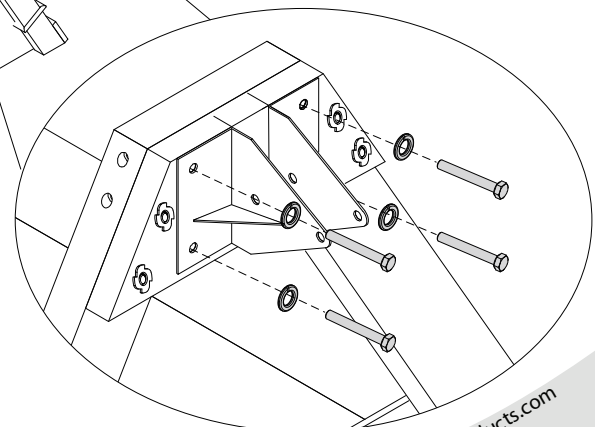


x4

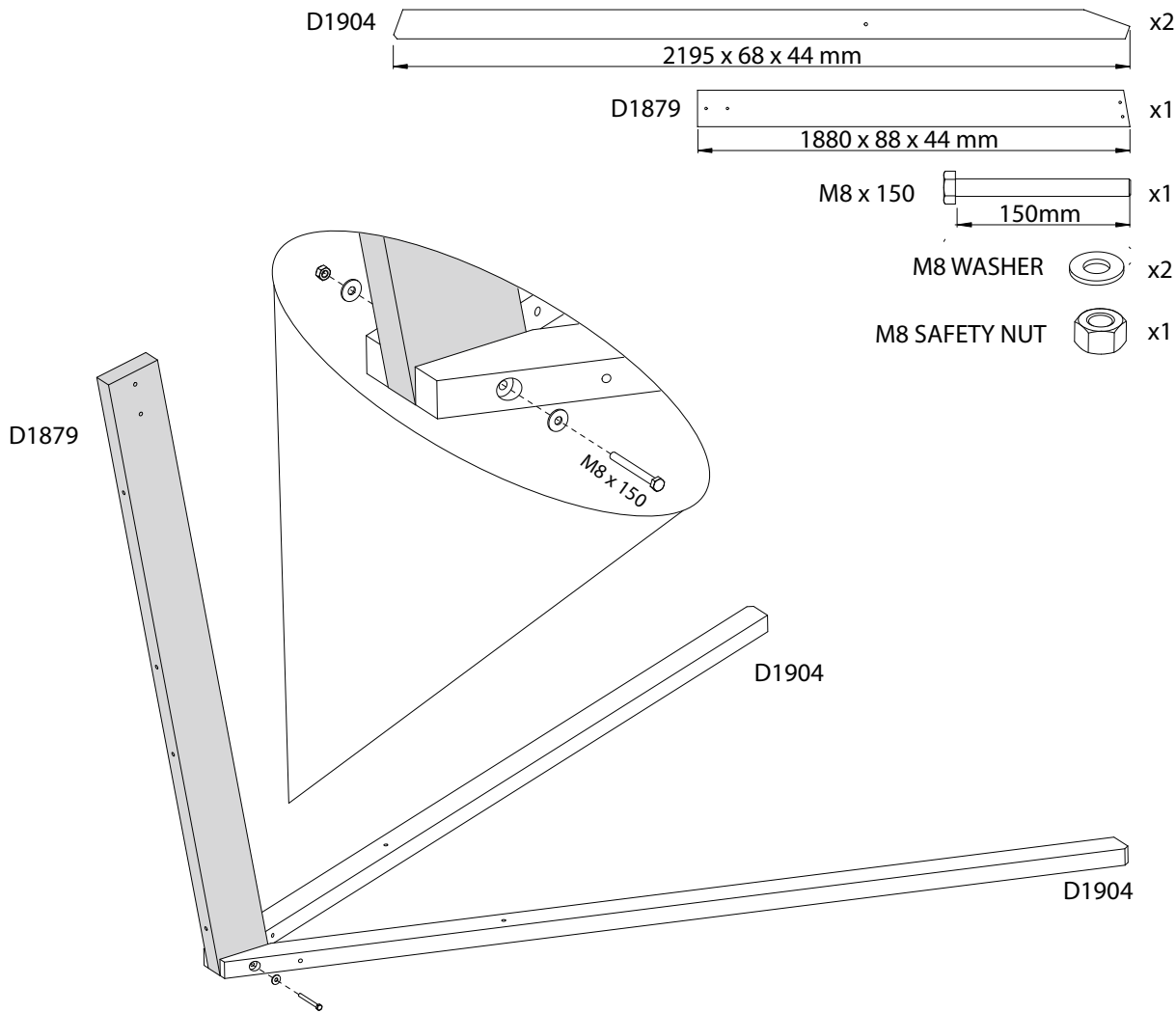
M8 SPRING WASHER



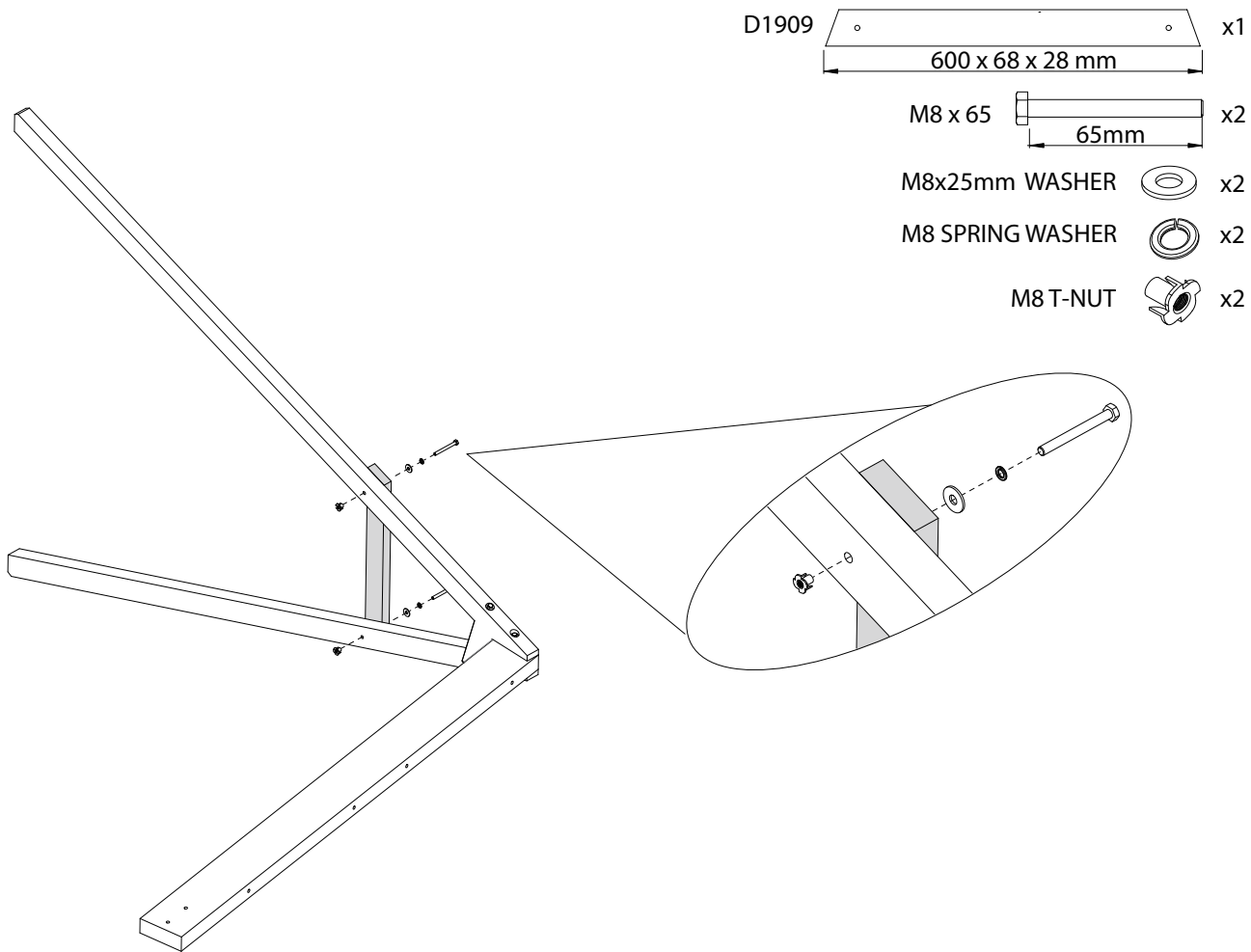
x4



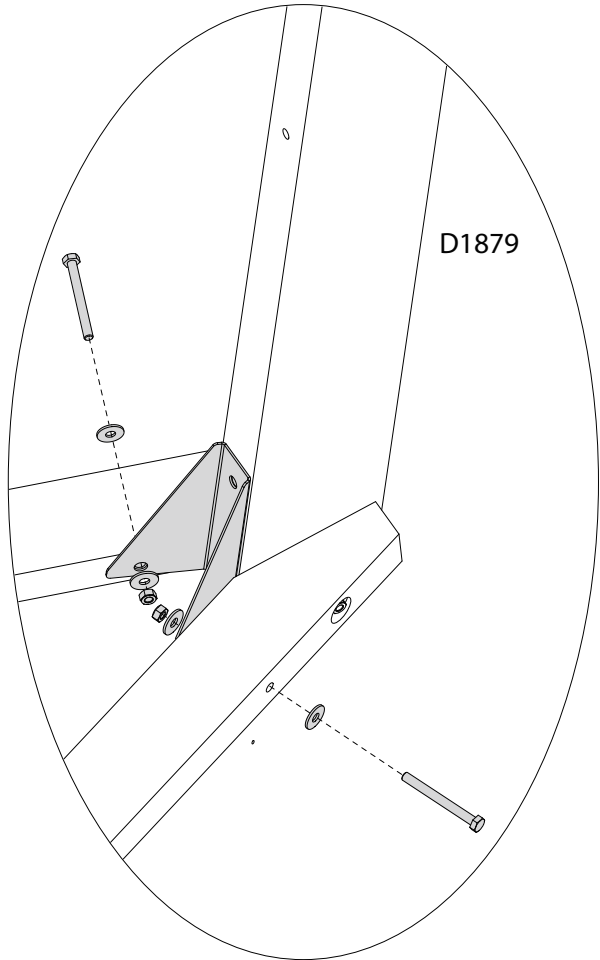
3

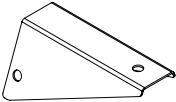
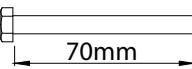

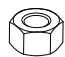


4

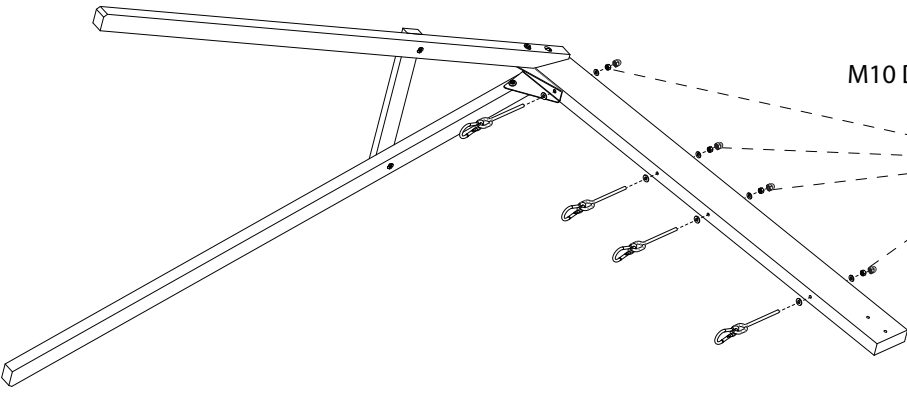




5

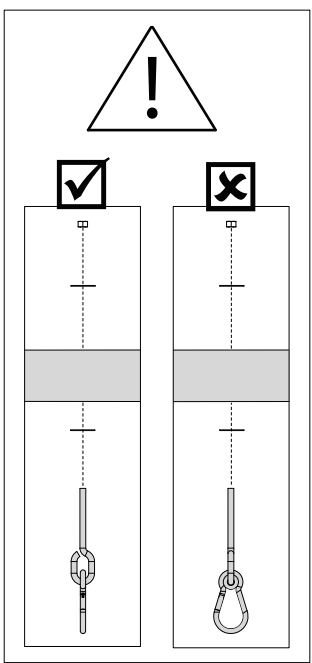
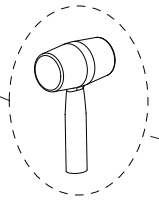
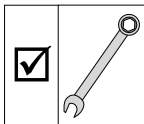
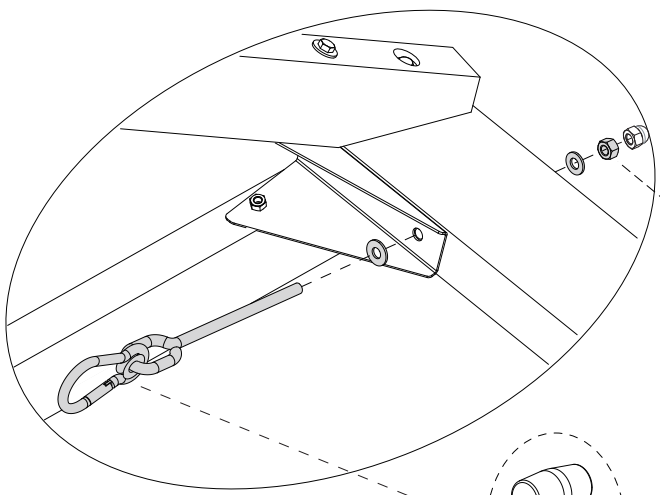


- D1643  x1
- M8 x 70  x2
- M8x25mm WASHER  x4
- M8 SAFETY NUT  x2

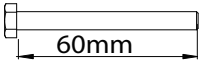
6



- DA14  x4
- M10 DOME CAP  x4

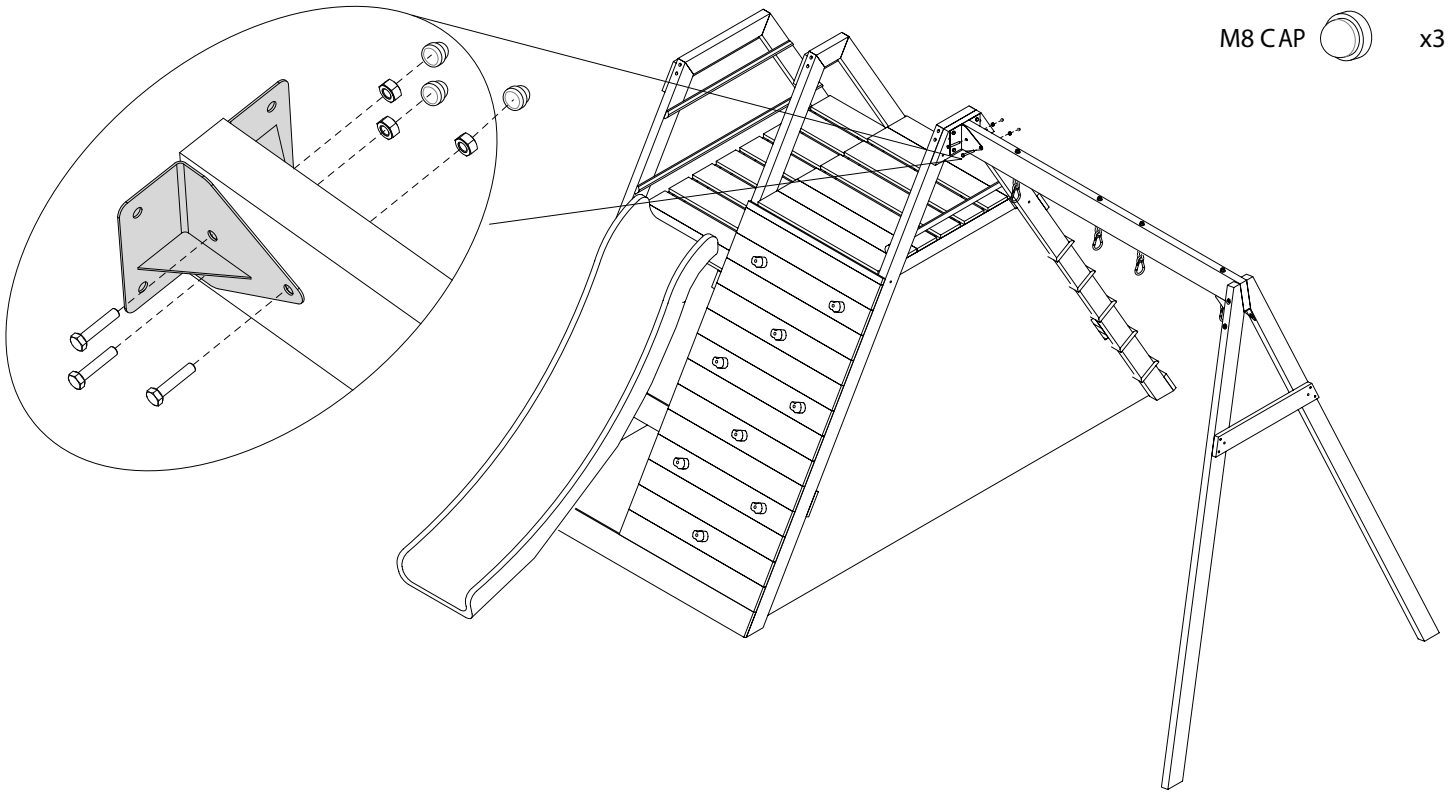


7

M8 x 60  x3

M8 SAFETY NUT  x3

M8 CAP  x3

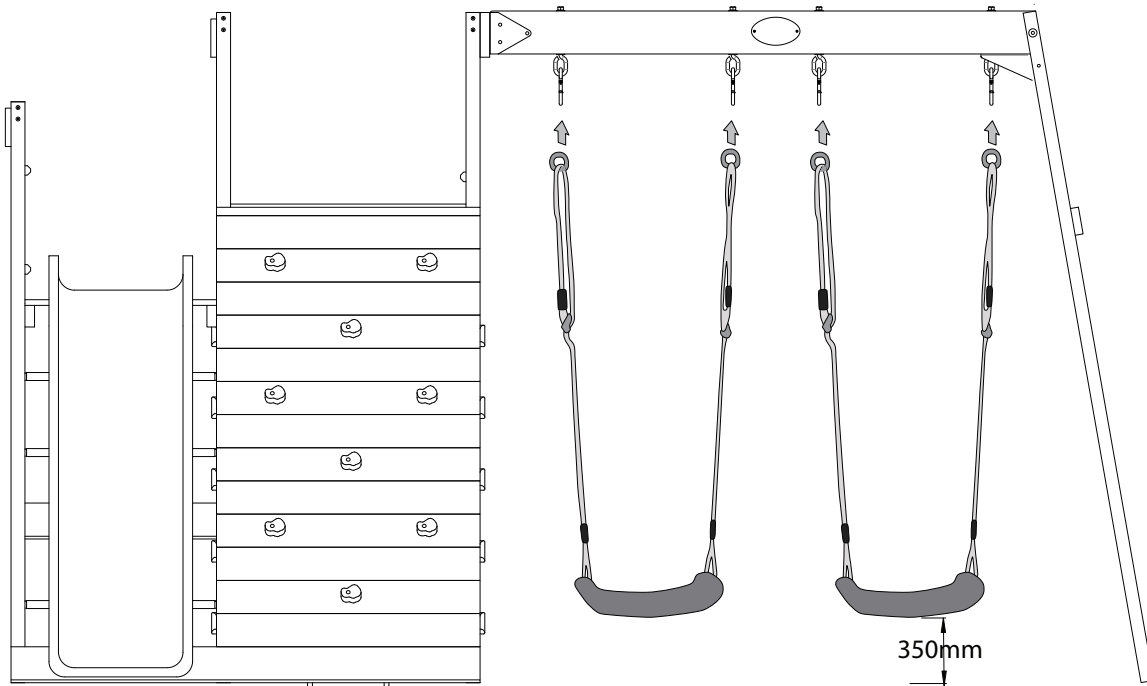


8

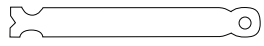
1

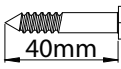
2

H05  x2




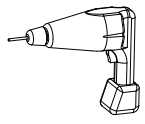
9

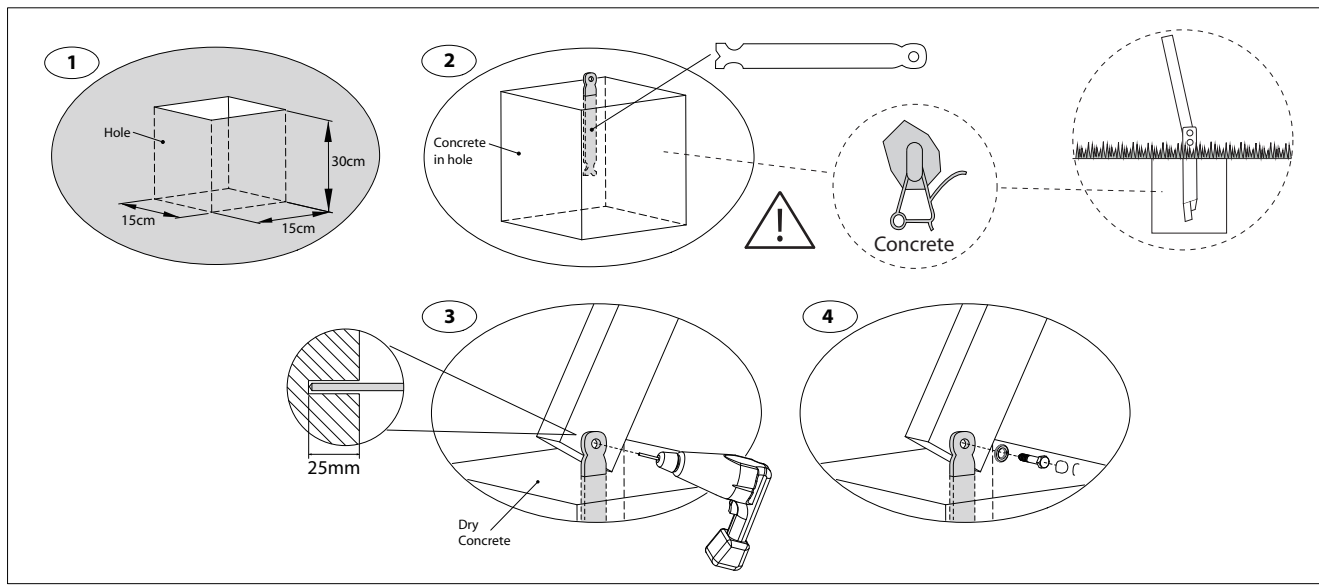
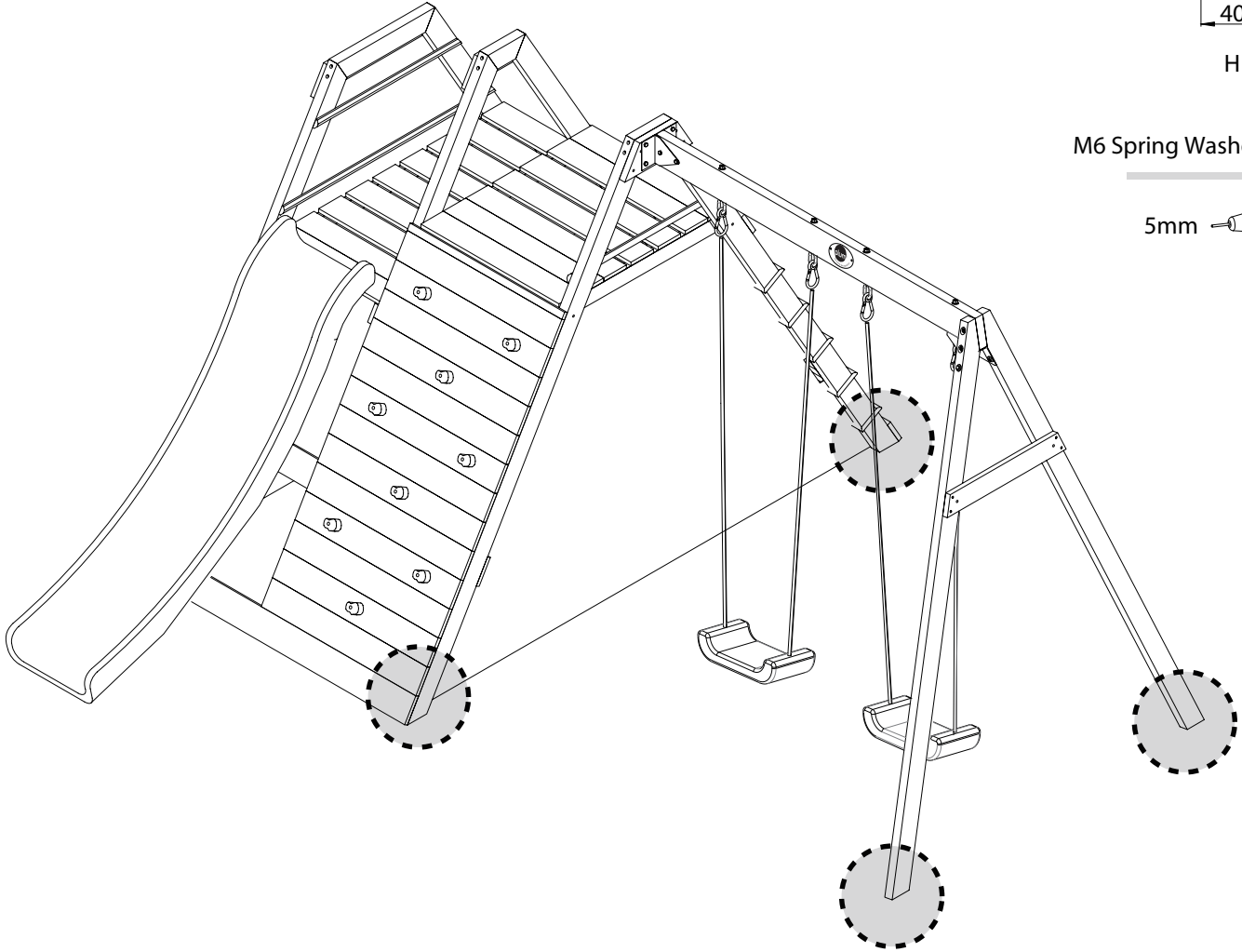
H17  x4

M6 x 40  x4

H17  x4
M6

M6 Spring Washer  x4

5mm 



Plum Products Outdoor Play Warranty (UK and Australia)

This product is guaranteed for 12 (twelve) months from the date of purchase against manufacturing defects. The warranty is conditional on proof of purchase being presented in the event of a claim. The warranty is registered to the original owner only and is non-transferable.

Whilst every endeavour is made to ensure the highest degree of safety in the product, it is essential to install your product correctly in accordance with installation instructions, supervise your children's play activity and maintain your play equipment periodically according to manufacturer guidelines in the Instruction Manual provided with the product.

This warranty does not cover scratching or scuffing of the product as a result of normal wear and tear and any minor defects which do not affect the functionality of the product. This product is warranted for domestic use only. Under no circumstance should the product be used in public or commercial settings such as schools or playgrounds, any such use may lead to product failure and potential injury. Any public or commercial use will render this warranty void.

The warranty shall be rendered void on products subjected to misuse, negligence, improper installation, vandalism, acts of God, unauthorised alteration, modification and/or attachment to other equipment by the customer or a third party (including the use of spares that are not genuine Plum spares) or any act or omission that would potentially render damage to the structural integrity of the product and lead to possible failure and injury.

All claims must be made within 14 days of purchase and must be accompanied by proof of purchase. Plum may reject claims which are not made within a reasonable time and/or where there is no proof of purchase. Goods covered under this limited warranty will be replaced or repaired, at our option, and returned to the customer at no cost to the customer where a claim is validated.

Plum reserves the right to examine photographs or physical evidence of goods claimed to be defective and to recover the goods prior to settling a warranty claim. These conditions do not affect your statutory rights as a consumer.

To make a claim please contact us immediately on our customer service numbers or emails below.

For UK Customers:

Telephone UK Plum Customer Services: +44 (0) 844 880 5302
Email: customerservices@plumproducts.com
Plum Products Ltd, The Cliff, Ingham, Lincolnshire, LN1 2YQ, UK

For Australian customers:

Telephone Australian Customer Services: +61 2 8968 2200
Email: aushelpdesk@plumproducts.com
Plum Products Australia Pty Ltd, Suite 303, 156 Military Road, Neutral Bay, NSW 2089, Australia.

Our goods come with guarantees that cannot be excluded under the Australian Consumer Law under which you are entitled to a replacement or refund for a major failure and for compensation for any other reasonably foreseeable loss or damage. You are also entitled to have the goods repaired or replaced if the goods fail to be of acceptable quality and the failure does not amount to a major one.

Thank you for purchasing a Plum product !

Please note above warranty applies to the UK and Australia only. If you have purchased your product outside of the UK or Australia, please contact your local supplier for the purchase of spares or after sales support.