



TECHNICAL INFORMATION & WARRANTY

PRODUCT DESCRIPTION

The distinct look of Renaissance's faucet collection offer contrasting design possibilities.

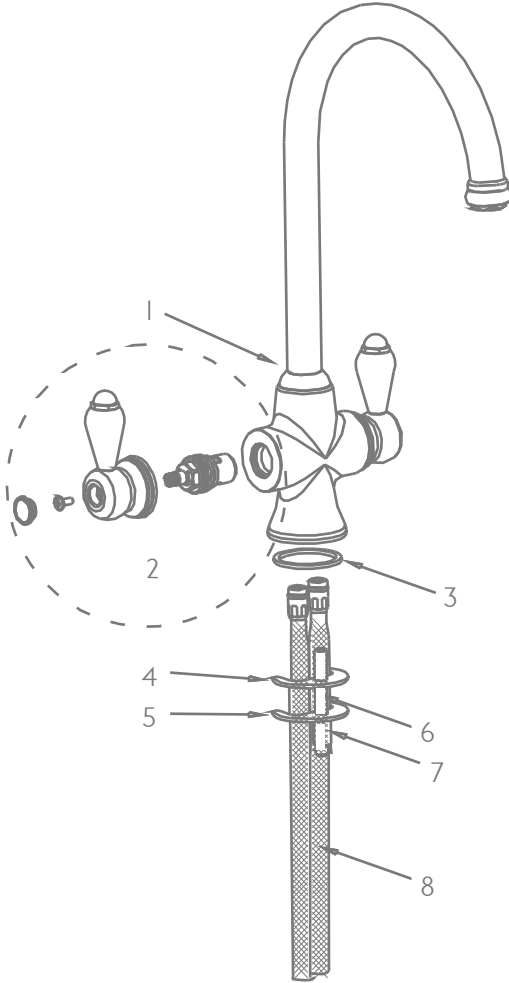
Delicate porcelain handles vertically adorn a solid brass body which supports the gracious goose swivel spout of Frejus. Manufactured in Europe to ensure both production and design authenticity are maintained, attention to detail is evident at all levels.

Solid brass body construction safely houses the latest Ceramic disc technology, delivering longevity and the signature firm yet gliding lever action associated with all Renaissance products.

Frejus is available with porcelain, metal and cross handle control and a range of finishes, including, chrome, nickel, brushed nickel, European Gold and Rubbed Bronze.

For further information about ther Ceramic disc technology please refer to our web site: www.renaissancebathrooms.com.au

PACKAGE CONTENTS



- 1. Spout
- 2. Handle Assembly
- 3. Mounting Washer
- 4. Horseshoe Washer
- 5. Horseshoe
- 6. Fixing Rod
- 7. Fixing Nut
- 8. Flexi Tail Hoses x2

SPECIFICATIONS

The installation, commissioning and maintenance must be carried out in accordance with AS/NZS 3500, and be installed by qualified and licensed plumber.

Installations must comply with all local and national water authority regulations, and building and plumbing Regulations.

TEMPERATURE CONTROL

Minimum cold water supply temperature: 5°C

Maximum cold water supply temperature: 20°C

Maximum hot water supply temperature: 50°C

Note! A Suitable approved tempering valve should be installed to limit temperatures to no more than 50 degrees or to comply with local regulations.

OPERATING LIMITS

Minimum dynamic pressure (gravity): 5.0 bar (500 kPa) or 5 metre head of water

Maximum dynamic pressure (mains): 8.0 bar (800 kPa)

Maximum static pressure: 8 bar (800 kPa)

Maximum pressure differential: 5:1 (either supply) eg. Cold 1 bar (100 kPa): Hot 0.2 bar (20 kPa)

For optimum performance, supply pressures should be equal.

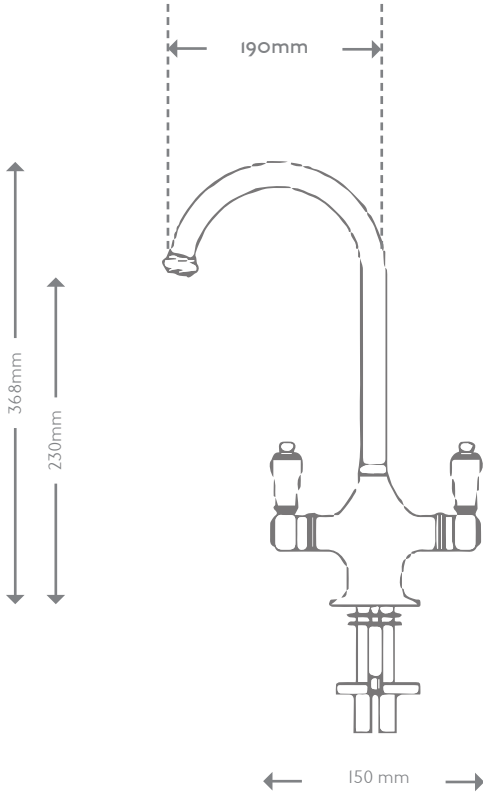
Note! A suitable pressure control device should be installed to reduce supply pressures exceeding the above maximum pressure specification

FLOW PERFORMANCE

Flow rates stated are without flow limiters installed.

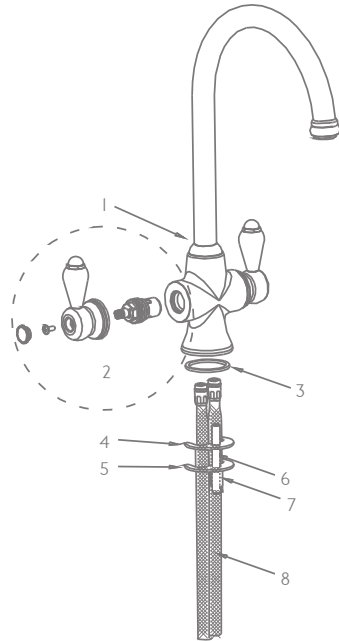
Pressure Loss (bar)	0.5	1.0	2.0	3.0	5.0
Pressure Loss (kPa)	50	100	200	300	500
Flow Rate (litres/minute)	7.3	10.4	14.6	18.0	23.2

DIMENSIONS



INSTALLATION INSTRUCTIONS

1. Identify all components and check for completeness, particularly before arranging fitting.
2. Fit the mixer (1) to the sink using the 'C' plate fixing kit. The full rubber washer (5) goes between the fitting and the sink, and the 'C' shaped rubber (5) and metal washers (4) on the underside of the sink, to be secured by the threaded rod (6) and nut (7).
3. Fit the flexi hoses (8) to the fitting (tighten by hand only) and connect the hot and cold supplies.
4. Pull open both valves, letting it run for a few minutes to check all joints and connections for leaks.



COMMISSIONING

There is no internal temperature or flow adjustment for this product.

CLEANING RECOMMENDATIONS

Your fitting has a high quality finish and should be treated with care to preserve the visible surfaces. All finishes will wear if not cleaned correctly. The only safe way to clean your product is to wipe with a soft damp cloth. Stains can be removed using washing up liquid. All bathroom cleaning product (powders and liquids) will damage the surface of your fitting, even the non-scratch cleaners.

NOTE: Never use abrasive detergents or disinfectants or those containing alcohol, hydrochloric or phosphoric acid.

IMPORTANT

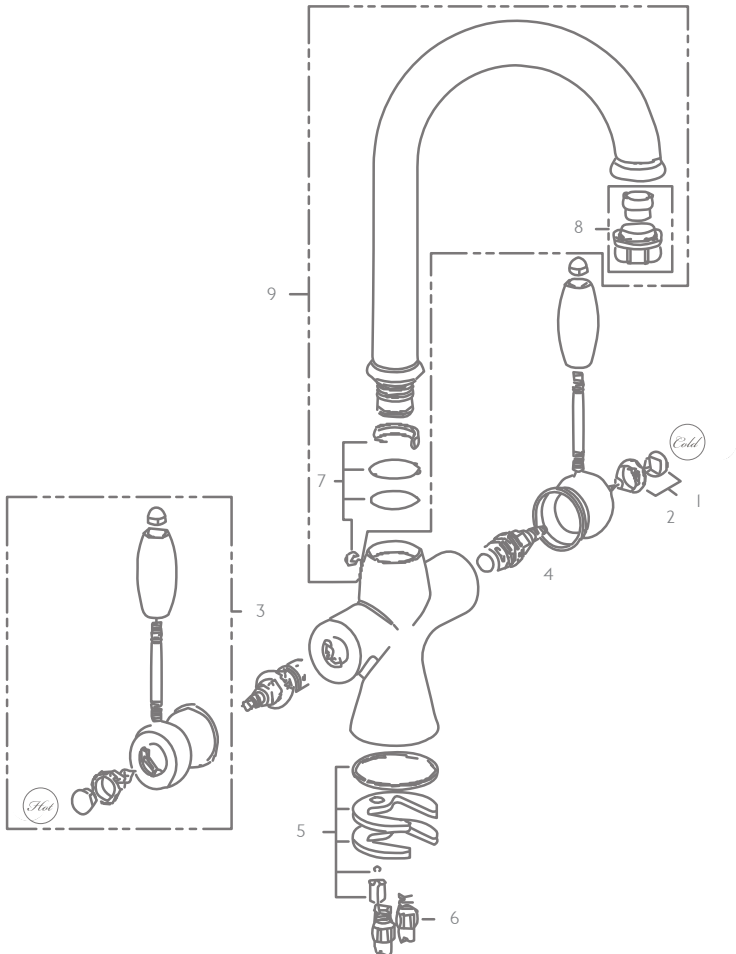
Residues of liquid soaps, shampoos, and faucet foams can also cause damage, so rinse with clean water after using.

Please note: if the surface is already damaged, the effect of cleaning materials will cause further damage. Components with damaged surfaces must be replaced or injury could result. Damage caused by improper treatment is not covered under the warranty.

SPARE PARTS

If you require replacement parts for your Renaissance product, please contact our service department on (07) 3266 5222 or Email service@renaissancebathrooms.com.au. Alternatively you can order spare parts online at <http://spares.renaissancebathrooms.com.au>

1. Hot/Cold Indices x1 each (SIND 05220C)
2. Phillips screw x2 (SCW QA080SX0000)
3. Complete Handle Assembly x2
4. Hot Cartridge 4b Cold Cartridge x1 each SVLV 04051B (Cold) SVLV 04050B (Hot)
5. Fixing Kit x1 SFX 06509
6. Flex Hoses x2 - RE 55 Hoses pair
7. O rings, Nylon C clip, fixing screw x1 each SORPK SET-DTC
8. Aerator x1 SANT 06209CSET-BL
9. Complete Spout Assembly x1 SSPT 04653CSET



TROUBLE SHOOTING & FAULT FINDING

In case of failure please consider the following solutions. If the issue persists please contact our service department or your preferred plumber.

LOW OR NO WATER PRESSURE

Make sure you have water pressure throughout the house and that it is not an issue with your water system. Check other water fixtures in the bathroom, for example the shower. If there is no pressure from the shower then your issue will lie with your water system. You will need to contact your preferred plumber.

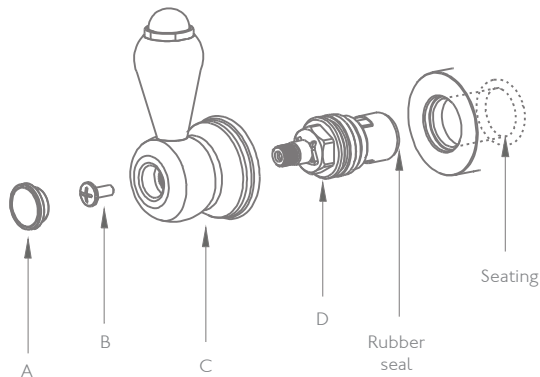
MAINTENANCE (See Fig 1 a):

1. Turn off the water supply.
2. Remove handle cap (a), unscrew handle screw (b), remove handle (c), unscrew and remove ceramic disc valve (d).
3. Carefully clean seating and rubber washer and ceramic disc.
4. Replace valve and handle, then turn on the water supply.
5. Contact our helpline if problem persists.

IMPORTANT

Residues of liquid soaps, shampoos, and faucet foams can also cause damage, so rinse with clean water after using.

Please note: if the surface is already damaged, the effect of cleaning materials will cause further damage. Components with damaged surfaces must be replaced or injury could result. Damage caused by improper treatment is not covered under the warranty.



WARRANTY INFORMATION

CONDITIONS

Your Renaissance product is manufactured to the highest quality and Carries a 5 year repair or replacement warranty covering parts only, warranties do not extend to electroplated finish, this can be effected by cleaning cycles – please reference the care and maintenance section for further details on how to clean your Renaissance product. This warranty extends to the original consumer purchaser only. This warranty is non-transferable. This warranty covers only your Renaissance manufactured product and not the Installation. Renaissance will repair at no charge for parts only or, at its option, replace any product or part of the product that proves defective because of improper workmanship and/or material, under normal installation, use, service and maintenance. If Renaissance is unable to provide a replacement and repair is not practical or cannot be timely made, Renaissance may elect to replace the product with an item of similar specification.

EXCLUSIONS

- A. Conditions, malfunctions or damage not resulting from defects in material or workmanship.
- B. Conditions, malfunctions or damage resulting from (1) normal wear and tear, improper installation, improper maintenance, misuse, abuse, negligence, accident or alteration, or (2) the use of abrasive or caustic cleaning agents or “no-rinse” cleaning products, or the use of the product in any manner contrary to the product instructions. (3) Conditions in the home such as excessive water pressure or corrosion.
- C. Labor or other expenses for the disconnection, deinstallation, or return of the product for warranty service, or for installation or reinstallation of the product (including but not limited to proper packaging and shipping costs), or for installation or reinstallation of the product.
- D. Accessories, connected materials and products, or related products not manufactured by Renaissance.

WARRANTY OR SERVICE REQUEST

In requesting warranty service, you will need to provide

1. The sales receipt or other evidence of the date and place of purchase.
2. A completed service request form with accompanying pictures. The form can be obtained by contacting our service department on (07) 3266 5222 or service@renaissancebathrooms.com.au

Unit 4, 37 Northlink Pl
Virginia QLD 4014
Ph. +61 7 3266 5222
Fx. +61 7 3266 5233

www.renaissancebathrooms.com.au
sales@renaissancebathrooms.com.au

In view of the Renaissance Groups policy of continuous improvement, the right is reserved to change the specification, finish or price of products illustrated and described in this publication without notice.

