

CLIO BASIN MIXER

IMPORTANT! Read before installation

- ! Not suitable for gravity feed systems.
- ! Mixer is fitted with a flow regulated aerator insert. This low flow rate may not be suitable for connection to some Instantaneous Gas or Solar Water Heaters, some tempering valves, and some Thermostatic Mixing Valves. Check with the manufacturers of these products.
- ! Isolating stop taps must be fitted.
- ! All pipework must be thoroughly flushed prior to installation, as foreign materials may block aerator and reduce the water flow.

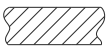


Hot and cold water inlet pressures must be equal. Static inlet pressure: 150-1000 kPa.

New Regulation: 500 kPa maximum static pressure at any outlet within a building. (AS/NZS 3500.1)



Maximum hot water temperature :55C.

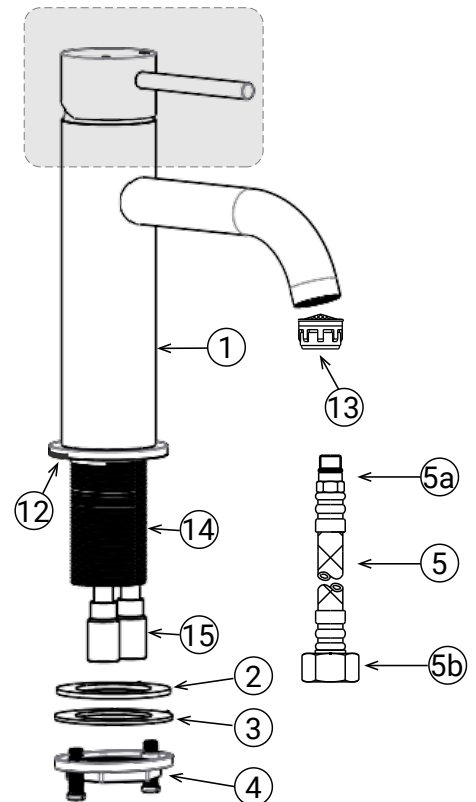
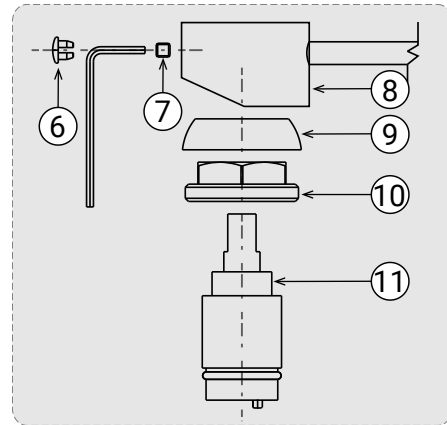


Maximum bench thickness: 40mm.

Installation

1. Check that O-ring ⑫ is fitted properly in the groove in base of mixer body ①.
2. Connect flexible hose ⑤ to mixer: Apply suitable lubricant to O-rings ⑤a. Connect flexible tail with matching colour (red to red, blue to blue) into inlet fitting ⑮. Hand tighten the tail, ensuring the O-ring is fully entered the sealing bore to provide a watertight joint.
3. Insert flexible hose ⑤ through the cut out in the bench. Place mixer over the cut out, fit gasket ② and fixing plate ③ over threaded tube then screw on fixing nut ④ and tighten up both screws evenly.
4. Connect flexible hose ⑤ to isolation stop taps. Hand tighten the connecting nut ⑤b until rubber cone contacts the sealing face of the connection end, then tighten a further one turn to provide a watertight joint.

Important: Flexible tails must not be kinked, twisted or in tension when installed.



Replacing Cartridge

1. Turn off both hot and cold water isolating stop taps.
2. Remove indicator plug ⑥. Using allen key to loosen grub screw ⑦ and remove handle ⑧. Unscrew cap ⑨ and nut ⑩ then lift out the old cartridge ⑪. Taking care not to damage the decorative finish.
3. Ensure inside face of mixer body ① is clean. Fit new cartridge ⑪ into mixer body ①, taking care that two lugs on base of cartridge ⑪ fit into mating holes in the mixer body ①.
4. Tighten the nut ⑩ to a torque of 10 Nm.
5. Replace cap ⑨ and hand tighten. Fit handle ⑧ taking care that it is pushed fully onto cartridge stem, then tighten grub screw ⑦. Refit plug ⑥ taking care not to damage the decorative finish.
6. Turn on isolating stop taps and check operation.