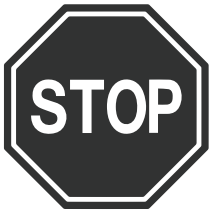


YARA WALL FACED TOILET SUITE INSTALLATION GUIDE



Please read this installation instruction BEFORE installations. If the product is not installed in accordance with these instructions by a qualified tradesperson to a tradesperson standard. Failure to do so, your Arova warranty may be void and the home owner may have a claim against you (the installer).



BEFORE INSTALLATION: Inspect the toilet to ensure that no damage has occurred in transit. If damage has occurred, or a visible defect exists, do not proceed with intallation, and advise your supplier immediately.

Installation is acceptance of goods.

NO CLAIMS FOR DAMAGES OR INCORRECT PRODUCTS WILL BE RECOGNISED AFTER INSTALLATION.



CAUTION: Risk of personal injury or product damage.

Handle with care. Vitreous china can break or chip if the product is handled carelessly.

INSTALLERS TO COMPLETE

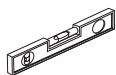
Date Installed:	
Installer's Name:	
License #:	
Business Name:	
Phone #:	
Product Installed:	
Signature:	

* Please leave document to home occupier for future reference.

TOOLS REQUIRED FOR INSTALLATION



Tape Measure



Level



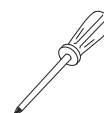
Safety Glasses



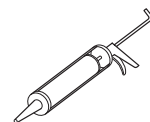
Drill & Bits



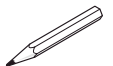
Sponge



Screwdriver



Caulking Gun



Pencil

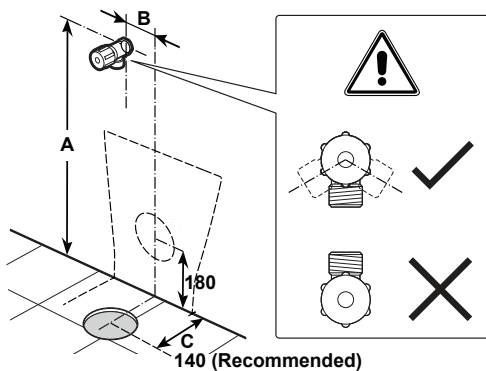
✓ PRIOR TO INSTALLATION

1. Inspect products for any damages. Within 48 hours of receiving your goods, unpack your Arova product and check for any possible freight damages, missing parts or incorrect items. Contact Arova (info@arova.com.au) in writing immediately with your order number, product code and attach clear images where appropriate.
2. Check that the toilet and set out measurements are compatible with your requirements.
3. Wall faced pan is universal for both 'S' & 'P' Trap installations. 'P' Trap is not included.
4. Before starting any installation, ensure the water supply is turned off.
5. Whenever possible and when safe to do so, it is recommended



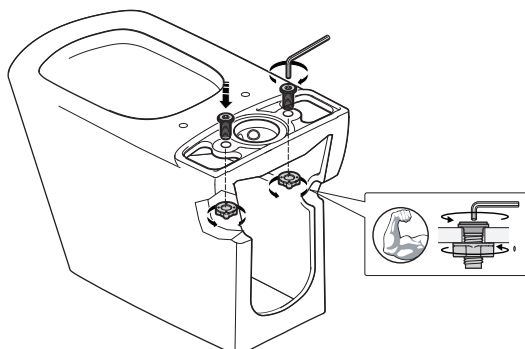
✂ INSTALLATION

ROUGHING IN

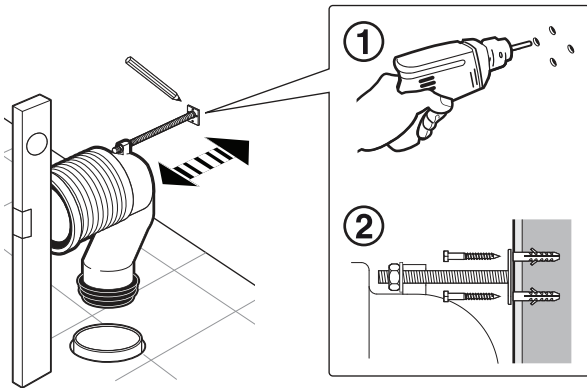


Rough in position of water inset, waste outlet. Ensure inlet connection extends 60mm from finished wall. Prepare waste outlet according to required set. The set-out range for the 'S' trap installation is 140mm (recommended) from the wall.

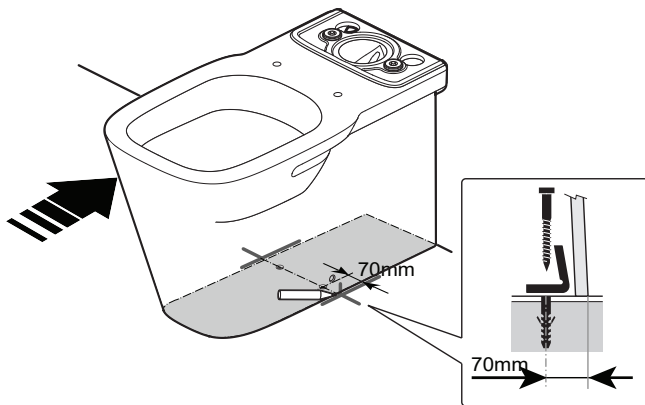
	A	B	C
YARA 67	785	90	100-200mm
YARA 62	750	90	100-200mm



Insert top-fix fixing nut and bolt to the pan. Tighten the nut as shown.



Fix the 'S' trap, cut horizontal pipe to required length and fit seal. Attach wall fixing kit to elbow, push elbow into the pan collar and adjust to correct height. Fix to wall and adjust to ensure the elbow

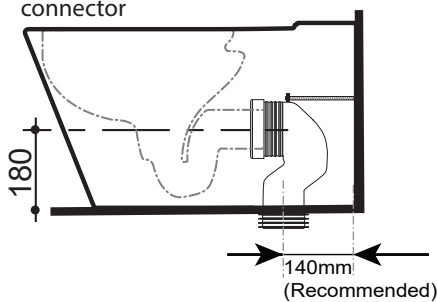


Sit the pan against the wall. Using a pencil, mark the positions of the floor fixing kit holes and fix the pan anchors to the floor.

'S' Trap Installation



Push pan onto S bend connector

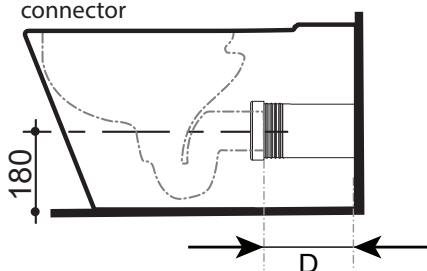


Align and push toilet pan back to the wall and onto the 'S' trap connector. Bucket flush and check for leaks.

'P' Trap Installation

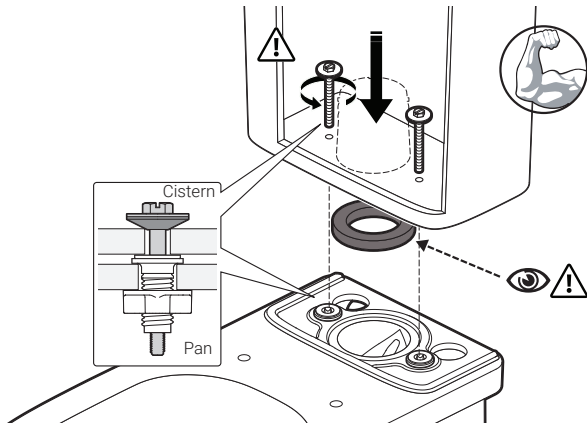


Push pan onto P bend connector



Align and push the pan back to the wall, connecting pan spigot to pan collar. Bucket flush and check for leaks.

	D
YARA 67	230mm
YARA 62	180mm

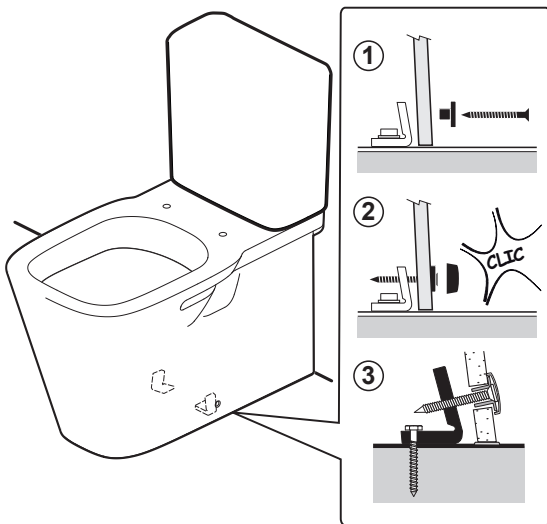


Note: The cistern fixes directly to the pan with a robust base fixing system without the need for wall fixing.

Back entry installation

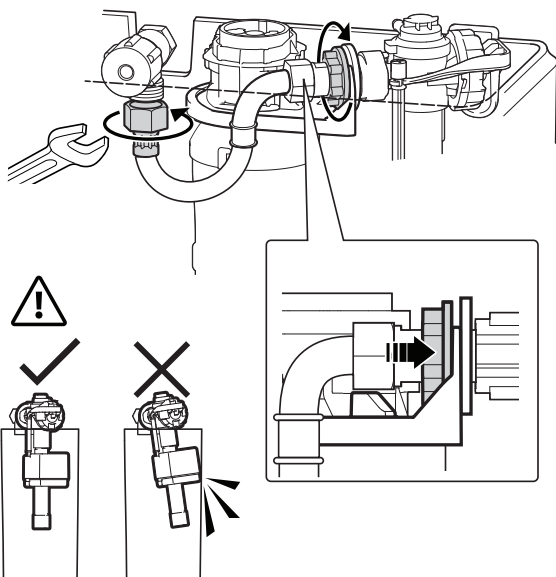
1- Securely attach the foam seal around the outlet on the base of cistern. Remove inlet valve to gain access to the right hand cistern fixing hole.

2- Position cistern onto pan, and align the cistern fixing holes with the threaded fixing holes on the pan. Apply silicone to the fixing bolts and insert the bolts and gradually tighten the left and right nuts to firmly secure the cistern to the pan.



Locate plastic fixing sleeve into holes in the pan. Fit screw into the bracket and tighten to bed pan to floor while ensuring level

IMPORTANT-DO NOT OVER TIGHTEN, AS THIS MAY CRACK THE PAN FOOT. SNAP ON PLASTIC CAP, AS DETAILED.

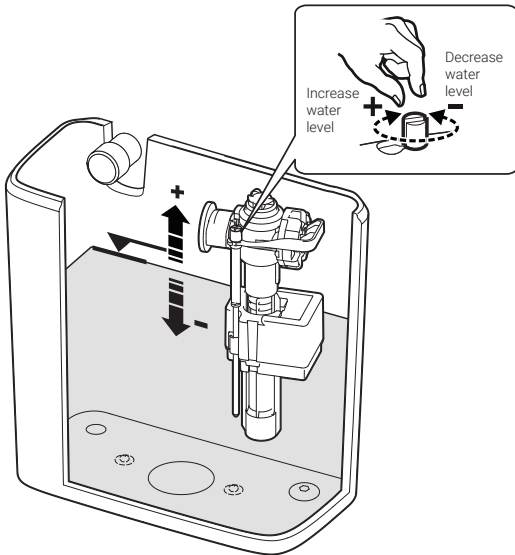


Connect Water Inlet

Screw inlet hose onto stop tap. Place inlet valve into position within the cistern.

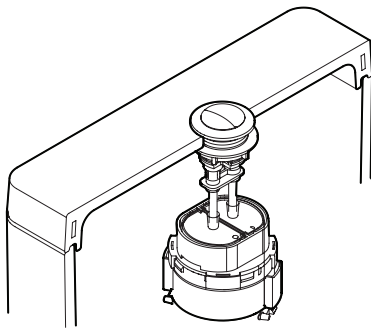
Check if the inlet valve is under normal operation.

WARNING: DO NOT SUBMERGE HOSE ASSEMBLY INTO WATER AS PER AUSTRALIAN STANDARD AS/NZS 3499



Adjust Water Level

It is the installers responsibility to adjust the water level. Adjust water level to the 4.5 litre water level mark inside the cistern by simply turning the float arm thumbscrew clockwise (for higher float & water level) or anti-clockwise (for lower float & water level).



Push Button

Fit the lid and test the buttons. Adjust the rods as required.



CARE & MAINTENANCE

AROVA products are produced from materials that are well suited to the bathroom however all products require cleaning and maintenance to ensure longevity.

The toilet seat may be removed for cleaning - press the quick release button and lift up.

Clean only with a soft cloth or sponge using warm water and mild soap or detergent. Do not use any abrasive cleaning materials as this may damage the nano glazed surface.

Do not use an solvents or corrosive liquids.



WARRANTY

For up to date warranty information please go to:
<https://www.arova.com.au/pages/warranty>

For any other further information please contact your nearest Arova showroom