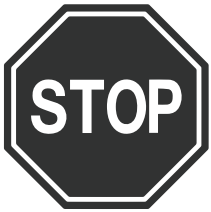


# WALL HUNG TOILET PAN INSTALLATION GUIDE



Please read this installation instruction BEFORE installations. If the product is not installed in accordance with these instructions by a qualified tradesperson to a tradesperson standard. Failure to do so, your Arova warranty may be void and the home owner may have a claim against you (the installer).



**BEFORE INSTALLATION:** Inspect the toilet to ensure that no damage has occurred in transit. If damage has occurred, or a visible defect exists, do not proceed with installation, and advise your supplier immediately.

Installation is acceptance of goods.

**NO CLAIMS FOR DAMAGES OR INCORRECT PRODUCTS WILL BE RECOGNISED AFTER INSTALLATION.**



**CAUTION:** Risk of personal injury or product damage.

Handle with care. Vitreous china can break or chip if the product is handled carelessly.

## INSTALLERS TO COMPLETE

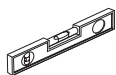
|                    |  |
|--------------------|--|
| Date Installed:    |  |
| Installer's Name:  |  |
| License #:         |  |
| Business Name:     |  |
| Phone #:           |  |
| Product Installed: |  |
| Signature:         |  |

\* Please leave document to home occupier for future reference.

## TOOLS REQUIRED FOR INSTALLATION



Tape Measure



Level



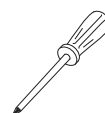
Safety Glasses



Drill & Bits



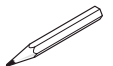
Sponge



Screwdriver



Caulking Gun



Pencil

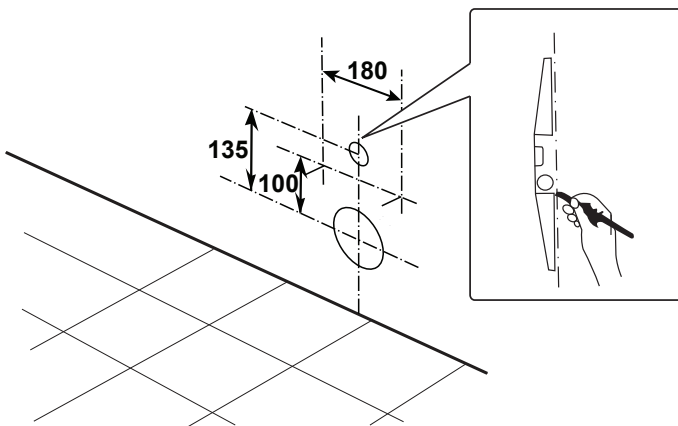
# ✓ PRIOR TO INSTALLATION

1. **Inspect products for any damages. Within 48 hours of receiving your goods, unpack your Arova product and check for any possible freight damages, missing parts or incorrect items.** Contact Arova (info@arova.com.au) in writing immediately with your order number, product code and attach clear images where appropriate.
2. Check that the toilet and set out measurements are compatible with your requirements.
3. Wall hung toilet pan is for 'P' Trap installations.
4. Before starting any installation, ensure the water supply is turned off.
5. Whenever possible and when safe to do so, it is recommended to carry out leak tests during the installation process.



# INSTALLATION

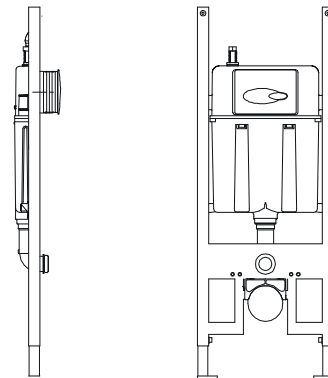
## Roughing In



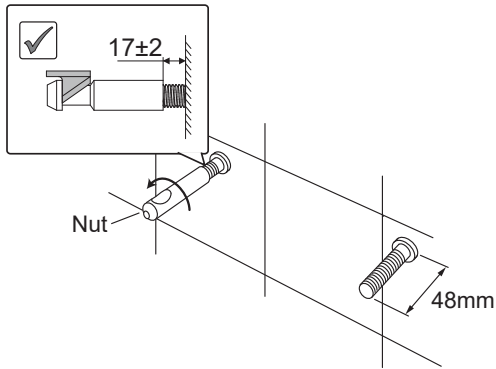
Prepare for a wall hung toilet pan fitting. Please note: Pipes are not included. Once you have received your toilet pan, this allow you to prepare and install the wall frame/cistern (both sold separately). To install the wall frame/cistern, please use guide supplied with the cistern.

## Install the Cistern

- a) Turn off the water supply before installing the new cistern.
- b) Install the concealed cistern in wall before decorating wall
- c) Install the concealed cistern as per the cistern's installation instructions.

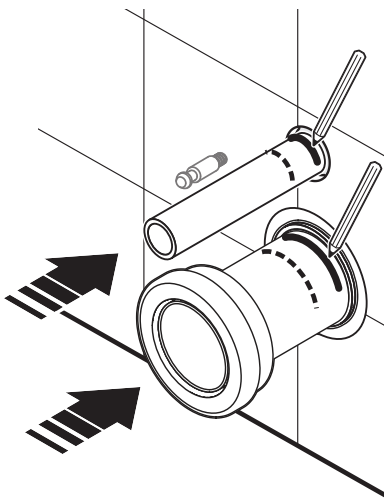


**Recommended Cistern:**  
Geberit Sigma 8 Duofix In Wall Cistern and Frame

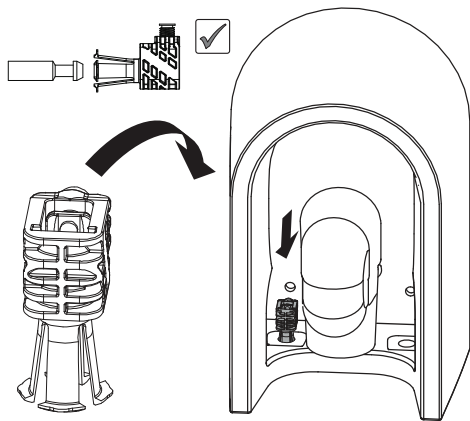


### Final fit off stage (after tiles)

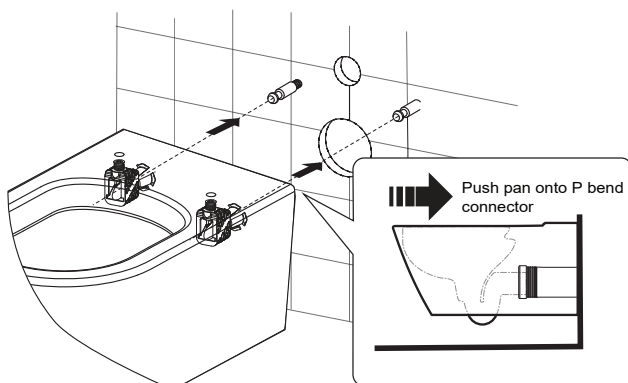
After installing the tank, allow a minimum of 48mm exposed stud length to protrude on the carrier studs for the bowl and tightening nuts. See the figure for fixing dimensions to install the bowl onto the wall.



Prepare the pipes as advised (cutting of the flush pipe and pan connector may be required). Connect the flush pipe and pan connector to the frame ready for connection to the toilet pan as shown.

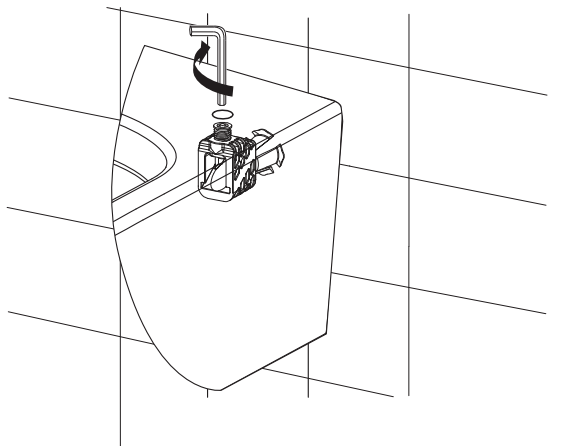


Insert the plastic wall mounting housing into the holes in the rear of the toilet pan

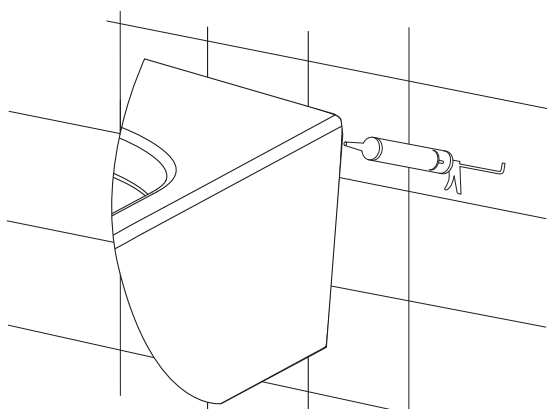


Push the toilet pan onto the wall frame ensuring that the flush pipe and pan connector fully engage with the toilet.

Please Note: On this version, the fixing hole is located on the top face, not in the side of the toilet pan



Using the allen key secure the grub screw into the plastic housing and into the cut out on the connector to secure the toilet pan onto the frame.



Once the installation is completed, a flush and leak test should be carried out and once it has been commissioned, the toilet can be sealed around the edge to finish.



## CARE & MAINTENANCE

AROVA products are produced from materials that are well suited to the bathroom however all products require cleaning and maintenance to ensure longevity.

The toilet seat may be removed for cleaning - press the quick release button and lift up.

Clean only with a soft cloth or sponge using warm water and mild soap or detergent. Do not use any abrasive cleaning materials as this may damage the nano glazed surface.

Do not use an solvents or corrosive liquids.



## WARRANTY

For up to date warranty information please go to:  
<https://www.arova.com.au/pages/warranty>

For any other further information please contact your nearest Arova showroom