

UNDERMOUNT BATHROOM SINK INSTALLATION



Plumbing connections must be installed to the requirements of AS/NZS 3500 by a qualified plumber. Modifying the product is not recommended and will not be covered under warranty.



BEFORE INSTALLATION:

Inspect thoroughly to ensure the product has not been damaged and is correct.

Installation is acceptance of goods. By installing the sink, the owner accepts that the product is free of blemishes or imperfections, including scratches, damages and discolouration.

NO CLAIMS FOR DAMAGES OR INCORRECT PRODUCTS WILL BE RECOGNISED AFTER INSTALLATION.

If wall mounted tapware is to be used, consideration should be made for the length of outlet and positioning of the sink on benchtop. If tapware is to be bench mounted, allow suitable top width for fitting tapware.

Refer to the physical sink for accurate measurements of the countertop cut-out hole. For under mount installation, please refer to the sink directly.

INSTALLERS TO COMPLETE

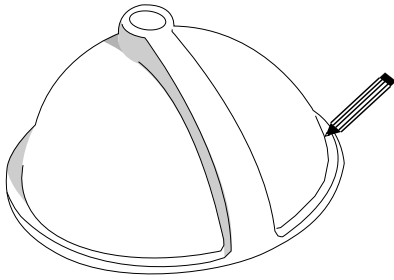
Date Installed:	
Installer's Name:	
License #:	
Business Name:	
Phone #:	
Product Installed:	
Signature:	

* Please leave document to home occupier for future reference.

INSTALLTION

1. Carefully turn the vanity top over so that it rests upside-down on a stable, cushioned surface.

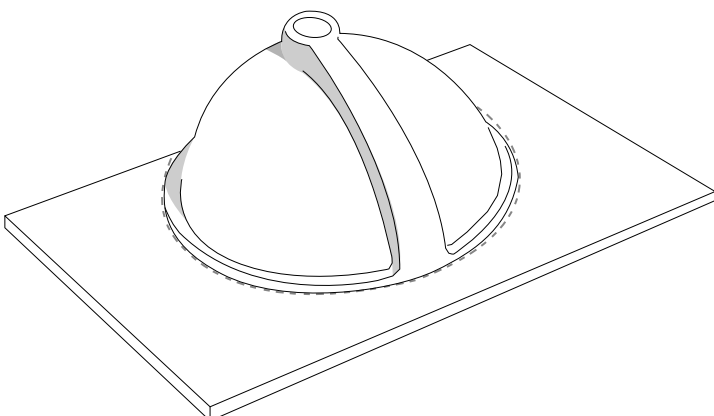
2. Position the sink over the sink cutout. Make sure the sink is centered with the faucet hole and evenly spaced between the bolt holes and then draw an outline of the sink on the vanity top.



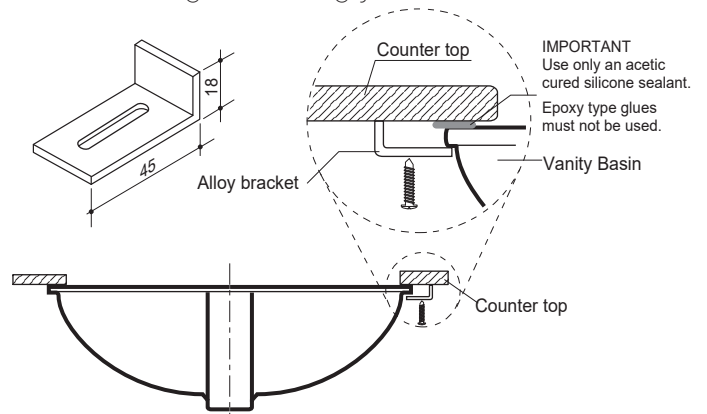
3. Remove the sink from the vanity top. Apply a generous bead of silicone around the sink rim.



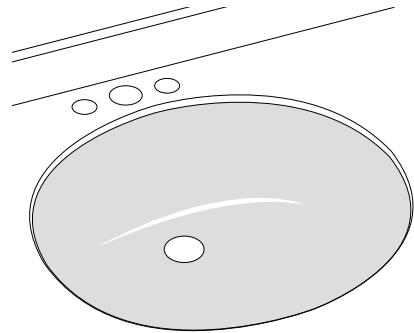
4. Carefully place the sink upside down on the vanity top, positioning it within the outline.



5. Attach the sink clips by placing the long end of the bracket flat against the sink lip. Screw the wing bolts through the brackets and bolt holes and tighten snugly.



6. Carefully turn the top and sink over and gently place on the vanity.



7. Proceed to installation of the drain, trap, water supply lines, and the sink faucet.

Clean & Care

- Clean regularly using a natural cleaning solution with warm water and a mop.
- You should only use the cleaning products that have been recommended for the specific type of tile that you have purchased.
- Clean spills immediately to avoid staining.
- Consider using floor protectors on the legs of your furniture to avoid damage to your tiles.

CAUTION

- Do not use chemicals or abrasive cleaners. This includes:
 - Bleach and bleaching agents
 - Ammonium and ammonium agents
 - Highly acidic cleaners
 - Alcohol and mineral-based solvents