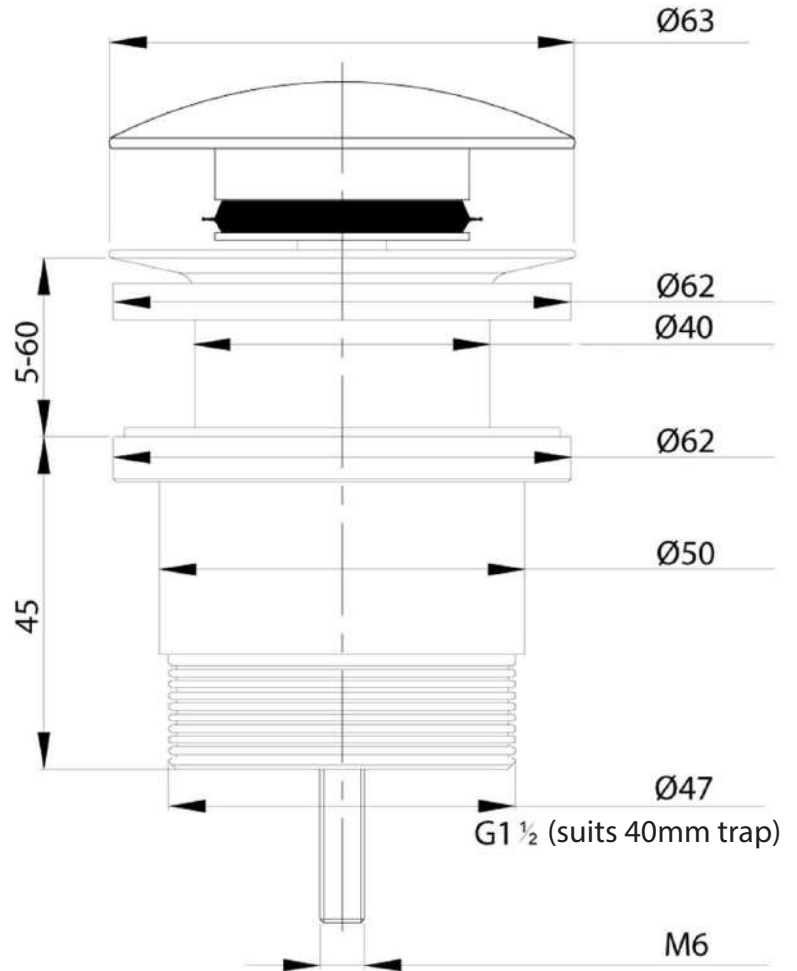
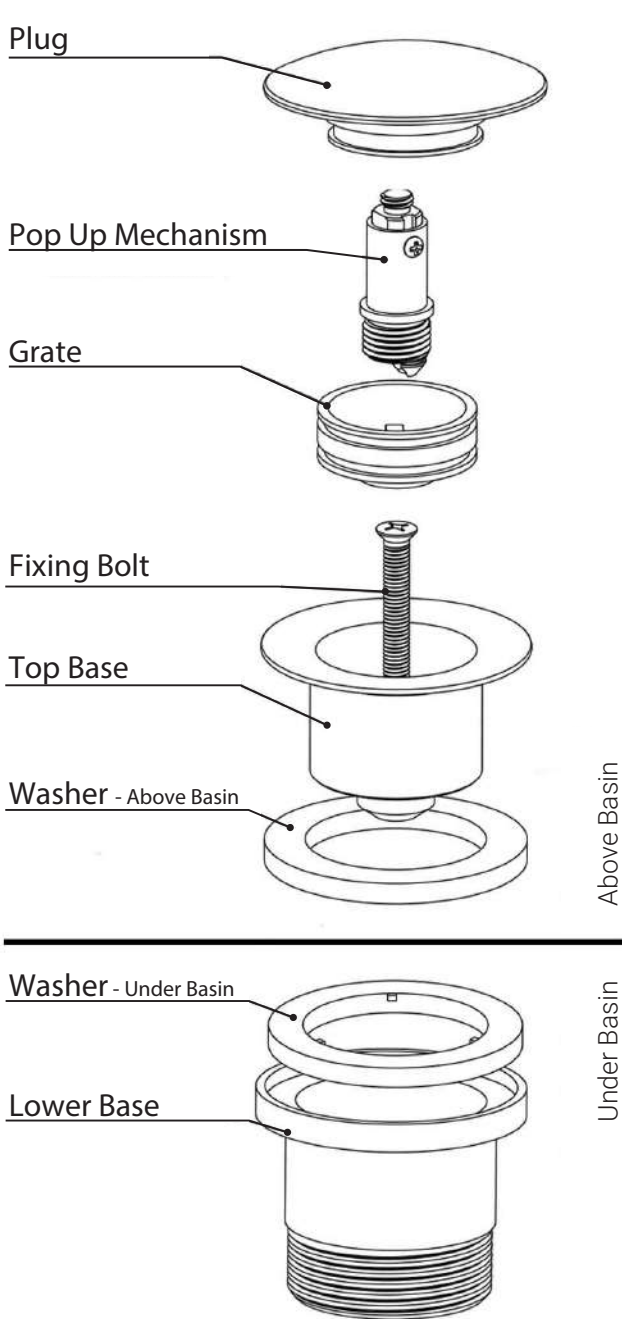


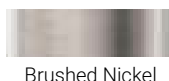
# MICA Universal Pop Up Waste 40mm BW40



All measurements in mm. Under our ongoing product development policy, Arova may from time to time change product specifications without notice. All dimensions given are approximate and should be checked prior to installation.

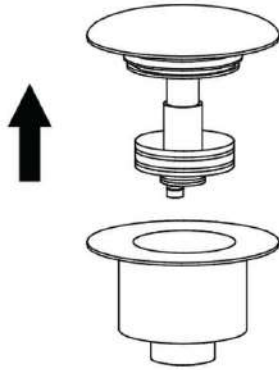
## FEATURES:

- Universal design, suits all basins with or without overflow, 32mm or 40mm wastes
- Connects directly to 40mm trap
- Watermark approved
- Colours available:

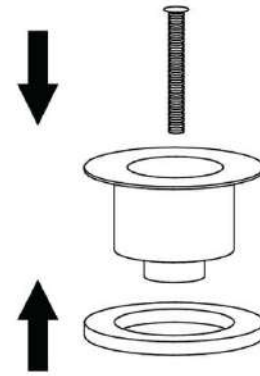


# INSTALLATION GUIDE

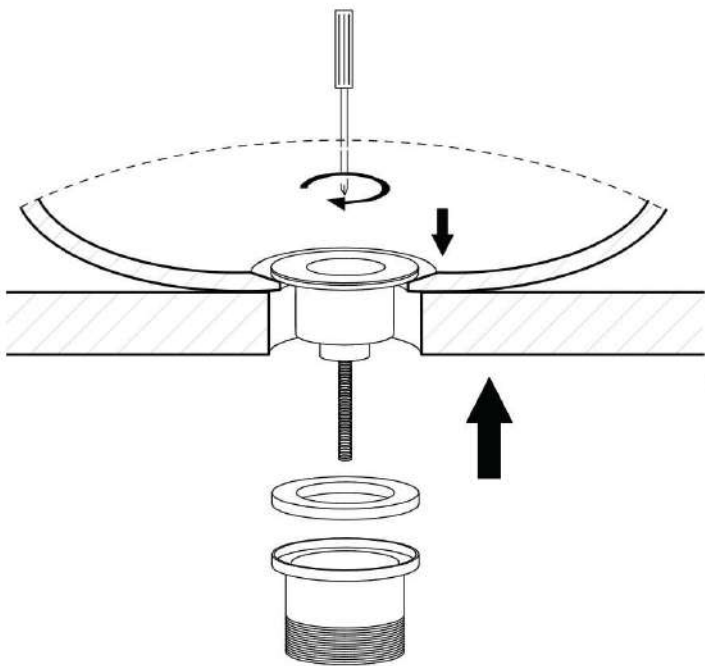
1. Remove plug and grate by holding top base and pulling plug upwards



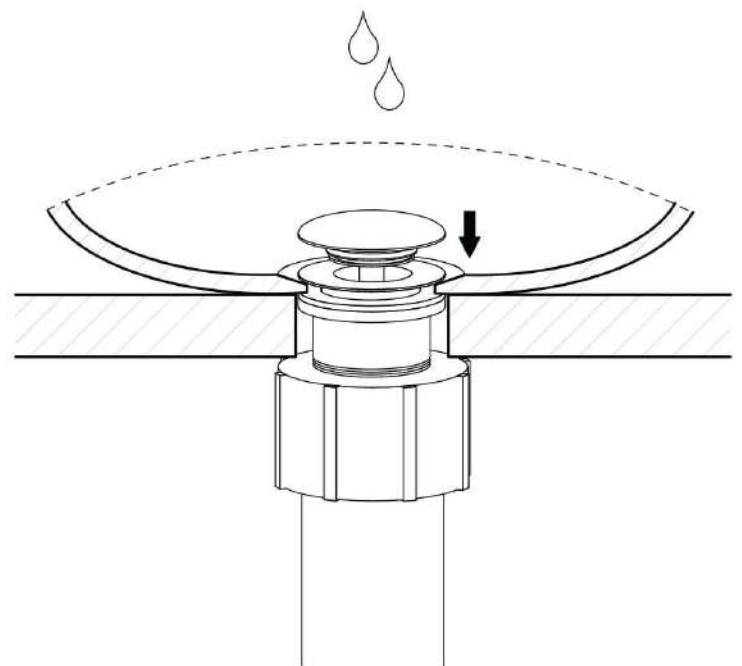
2. Fit foam washer to top base and drop fixing bolt into base



3. Place the lower base with silicon washer underneath the basin and tighten fixing bolt with phillips head screw driver



4. Re-fit plug and grate into top base. Connect pipe work and test plug mechanism by pressing plug down with running water



**NOTICE:**

Installation is acceptance of goods. No claims for damages or incorrect products will be recognised after installation.



THIS PRODUCT MUST BE INSTALLED BY A LICENSED PLUMBER. FAILURE TO DO SO WILL VOID ALL WARRANTIES.



BEFORE INSTALLATION:  
ALL COMPONENTS MUST BE INSPECTED CAREFULLY FOR DEFECTS, DAMAGE, FAULTS AND THAT THE ITEMS ARE CORRECT.