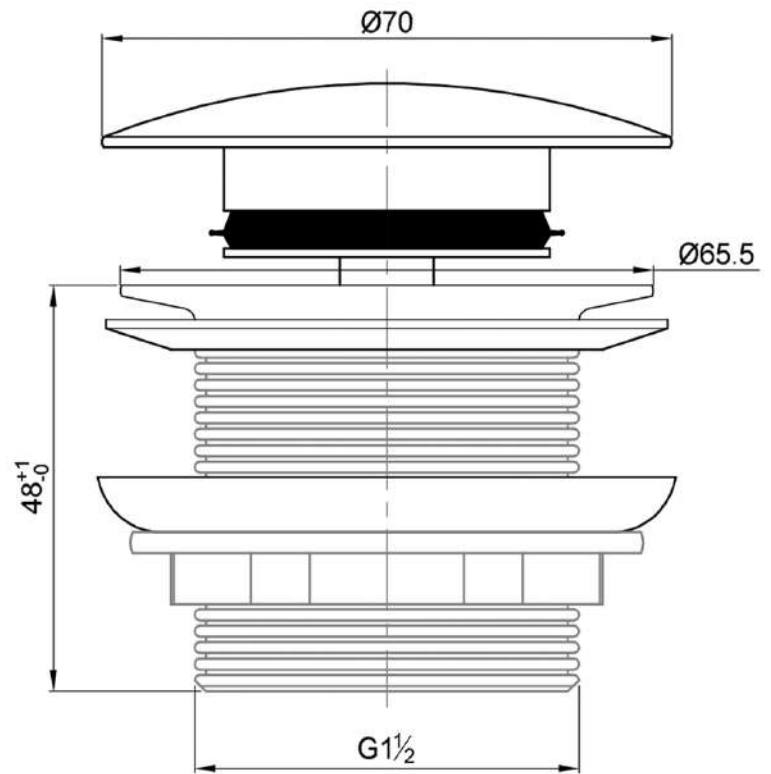
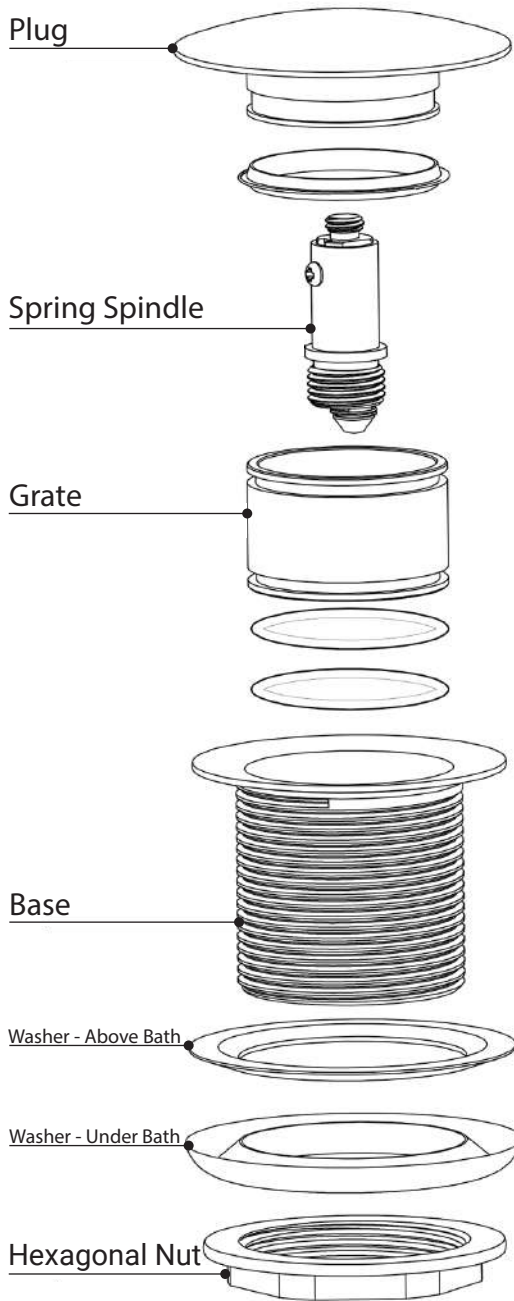


# MICA Pop Up Bath Waste BTH40



All measurements in mm. Under our ongoing product development policy, Arova may from time to time change product specifications without notice. All dimensions given are approximate and should be checked prior to installation.

## FEATURES:

- 40mm without overflow
- A unique removable cartridge for servicing and cleaning
- Watermark approved to Australian standards
- Colours available:



Chrome



Brushed Nickel

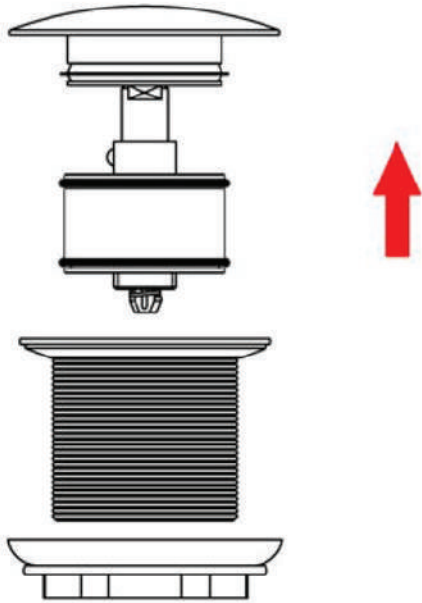


Matte Black

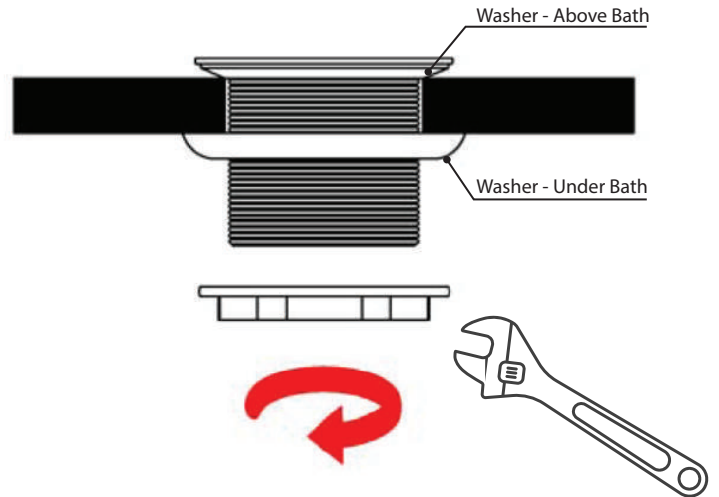


# INSTALLATION GUIDE

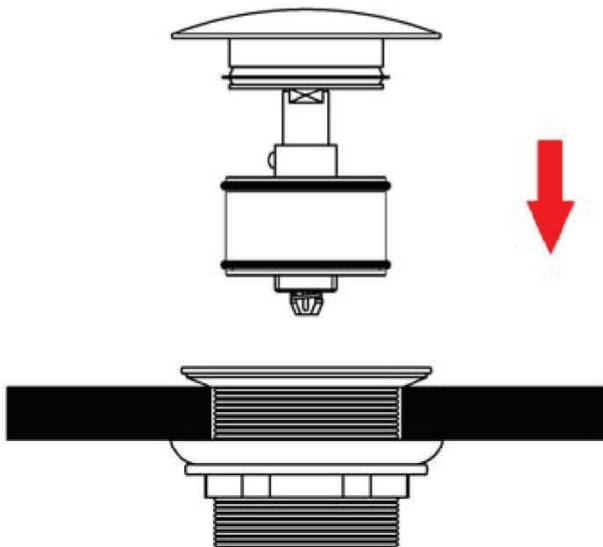
1. Unscrew the hexagonal nut, and remove the under bath washer, plug and grate.



2. Insert the base with washer apply sealant where necessary tighten fixing nut with wrench.



3. After the pipe is connected and tested, refit the plug and grate. Test pop up mechanism with running water.



**NOTICE:** Installation is acceptance of goods.No claims for damages or incorrect products will be recognised after installation.



THIS PRODUCT MUST BE INSTALLED BY A LICENSED PLUMBER. FAILURE TO DO SO WILL VOID ALL WARRANTIES.



BEFORE INSTALLATION:  
ALL COMPONENTS MUST BE INSPECTED CAREFULLY FOR DEFECTS, DAMAGE, FAULTS AND THAT THE ITEMS ARE CORRECT.