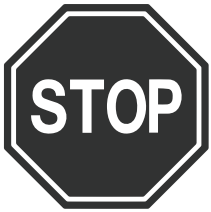


FLOOR MOUNT TOILET PAN INSTALLATION GUIDE



Please read this installation instruction BEFORE installations. If the product is not installed in accordance with these instructions by a qualified tradesperson to a tradesperson standard. Failure to do so, your Arova warranty may be void and the home owner may have a claim against you (the installer).



BEFORE INSTALLATION: Inspect the toilet to ensure that no damage has occurred in transit. If damage has occurred, or a visible defect exists, do not proceed with installation, and advise your supplier immediately.

Installation is acceptance of goods.

NO CLAIMS FOR DAMAGES OR INCORRECT PRODUCTS WILL BE RECOGNISED AFTER INSTALLATION.



CAUTION: Risk of personal injury or product damage.

Handle with care. Vitreous china can break or chip if the product is handled carelessly.

INSTALLERS TO COMPLETE

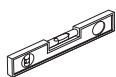
Date Installed:	
Installer's Name:	
License #:	
Business Name:	
Phone #:	
Product Installed:	
Signature:	

* Please leave document to home occupier for future reference.

TOOLS REQUIRED FOR INSTALLATION



Tape Measure



Level



Safety Glasses



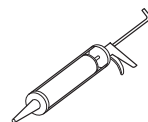
Drill & Bits



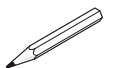
Sponge



Screwdriver



Caulking Gun



Pencil

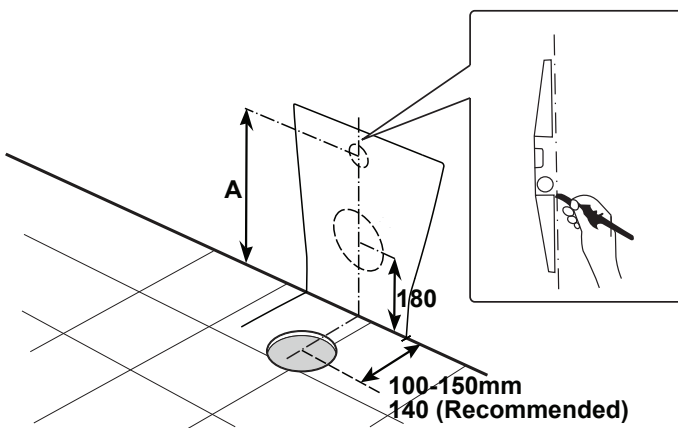
✓ PRIOR TO INSTALLATION

1. Inspect products for any damages. Within 48 hours of receiving your goods, unpack your Arova product and check for any possible freight damages, missing parts or incorrect items. Contact Arova (info@arova.com.au) in writing immediately with your order number, product code and attach clear images where appropriate.
2. Check that the toilet and set out measurements are compatible with your requirements.
3. Floor mount toilet pan is universal for both 'S' & 'P' Trap installations. 'P' Trap is not included.
4. Before starting any installation, ensure the water supply is turned off.
5. Whenever possible and when safe to do so, it is recommended to carry out leak tests during the installation process.



✂ INSTALLATION

Roughing In

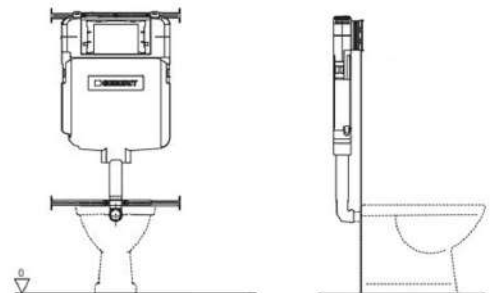


Prepare for a floor mount toilet pan fitting. Once you have received your toilet pan, this allow you to prepare and install the wall frame/cistern (both sold separately). To install the wall frame/cistern, please use guide supplied with them. The set-out range for the 'S' trap installation is 140mm (recommended) from the wall.

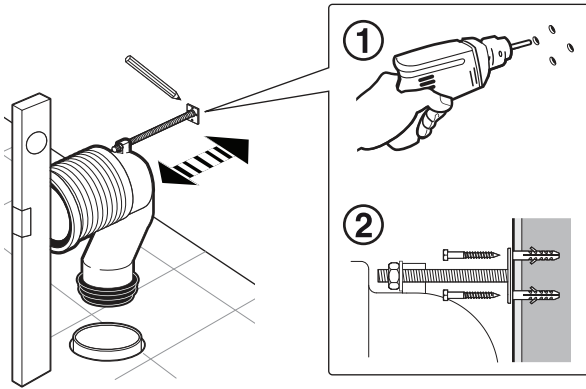
	A
MAX 57	365
YARA 58	380

Install the Cistern

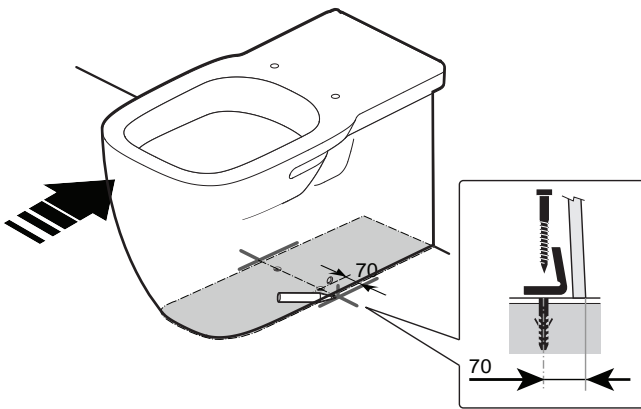
- a) Turn off the water supply before installing the new cistern.
- b) Install the concealed cistern in wall before decorating wall
- c) Install the concealed cistern as per the cistern's installation instructions.



Recommended Cistern:
Geberit Sigma 8 In Wall Toilet Cistern

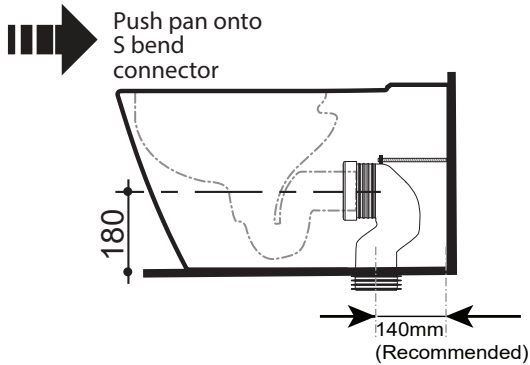


Fix the 'S' trap, cut horizontal pipe to required length and fit seal. Attach wall fixing kit to elbow, push elbow into the pan collar and adjust to correct height. Fix to wall and adjust to ensure the elbow



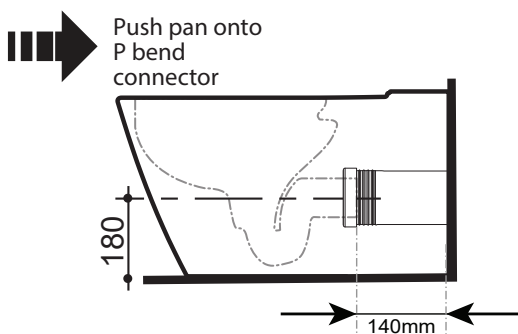
Sit the pan against the wall. Using a pencil, mark the positions of the floor fixing kit holes and fix the pan anchors to the floor.

'S' Trap Installation



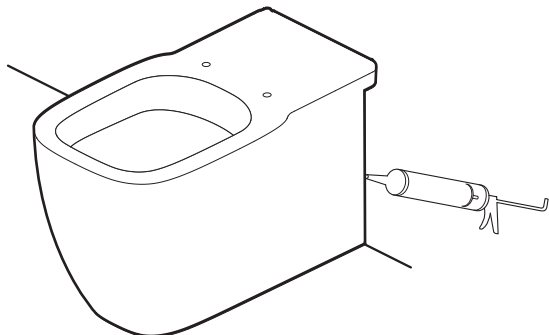
Align and push toilet pan back to the wall and onto the 'S' trap connector. Bucket flush and check for leaks.

'P' Trap Installation



Align and push the pan back to the wall, connecting pan spigot to pan collar. Bucket flush and check for leaks.

Finalise the installation



Apply an appropriate sealant to make sure the bowl's edge seals to the wall

Ensure that all the connections are tight

Turn on the water supply and check for any leaks

Flush the toilet to check for correct operation



CARE & MAINTENANCE

AROVA products are produced from materials that are well suited to the bathroom however all products require cleaning and maintenance to ensure longevity.

The toilet seat may be removed for cleaning - press the quick release button and lift up.

Clean only with a soft cloth or sponge using warm water and mild soap or detergent. Do not use any abrasive cleaning materials as this may damage the nano glazed surface.

Do not use an solvents or corrosive liquids.



WARRANTY

For up to date warranty information please go to:

<https://www.arova.com.au/pages/warranty>

For any other further information please contact your nearest Arova showroom