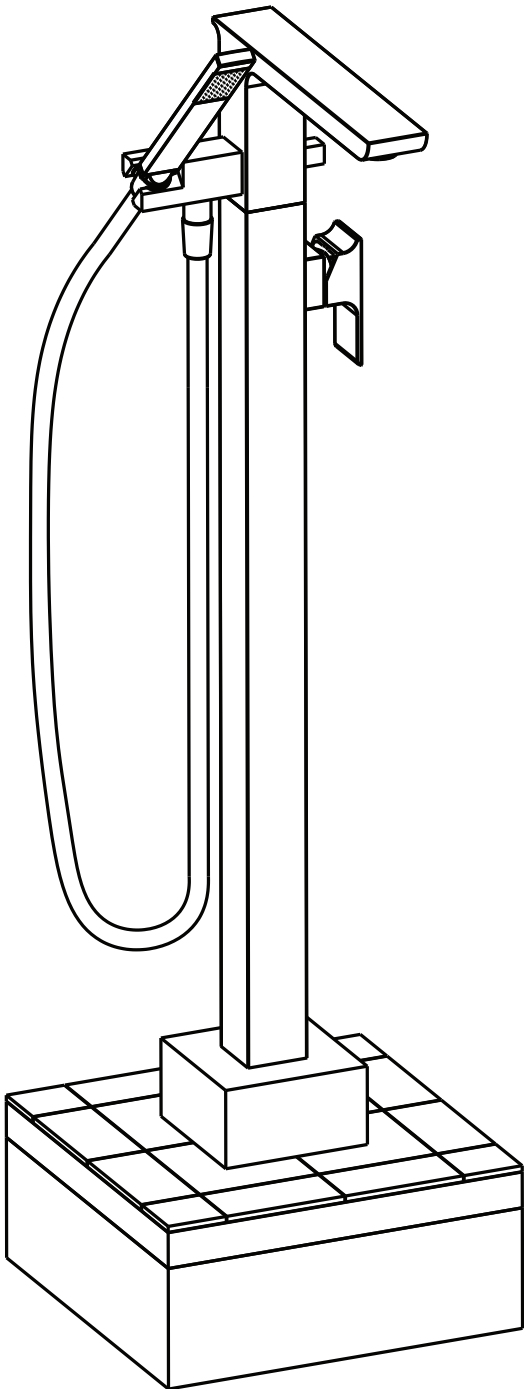


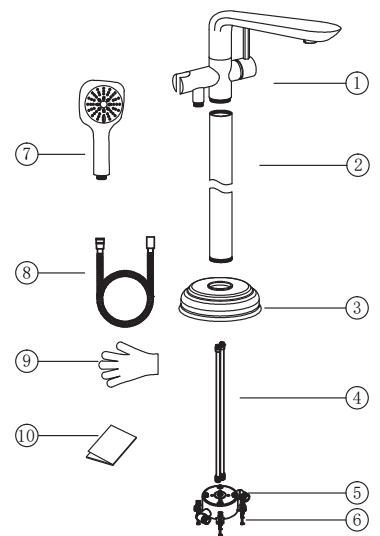
Viva Freestanding Bath Mixer

BF02CH / BF02BK



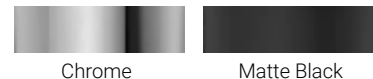
IMPORTANT: Please inspection all spare parts list when you open box, if any problem, please contract with seller. Spare parts list as follow.

NO	Product Description	QTY
1	Control body	1
2	Standing Tube	1
3	Cover Plate	1
4	Water pipe	2
5	Conceal Box	1
6	Expansion Screw	4
7	Hand shower	1
8	Shower Hose	1
9	Glove	1
10	Instruction	1



FEATURES:

- Solid brass construction for longevity.
- Fixed Spout.
- Easy install conceals connecting box included.
- 35mm Ceramic disc cartridge can be adjusted to reduce water temperature and flow control settings, saving energy
- NEOPERL aerator with slim stream flow director.
- Colours Available:



All measurements in mm. Under our ongoing product development policy, Arova may from time to time change product specifications without notice. All dimensions given are approximate and should be checked prior to installation.

INSTALLATION GUIDE



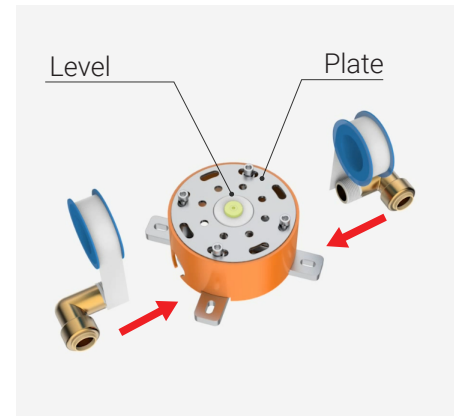
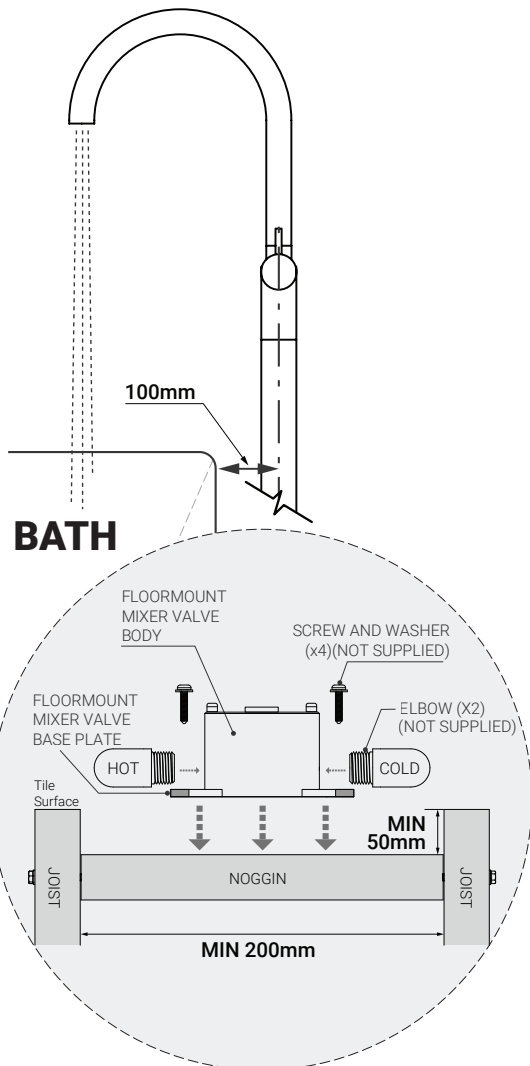
THIS PRODUCT MUST BE INSTALLED BY A LICENSED PLUMBER. FAILURE TO DO SO WILL VOID ALL WARRANTIES.



BEFORE INSTALLATION:

ALL COMPONENTS MUST BE INSPECTED CAREFULLY FOR DEFECTS, DAMAGE, FAULTS AND THAT THE ITEMS ARE CORRECT.

1. INSTALLING THE IN-FLOOR BOX



(b) Check the position of the outlet ports, as this is where you will later insert the mixer's inlet pipe. **Please determine the spout direction before installation. The spout direction is aligned with hot water(H).** Apply teflon or sealant onto fittings and install.



(a) First, prepare a suitable recess on the floor where you will install the in-floor box. This must have accessible hot and cold water supply inputs.

(c) Install the in-floor box with its top level with your (planned) floor finish. Connect hot and cold water lines, check for any leaks.

(d) Water proof and tiling. Please make sure conceal box in wall depth.

2. SETTING UP THE MIXER



(a) Connect the hot and cold water supply pipes securely into the inlets on the base of the mixer head with correct Hot and Cold Direction.



(b) Slide the outer standing tube over the water supply pipes and twist it tightly onto the mixer head. Place cover plate on tube.

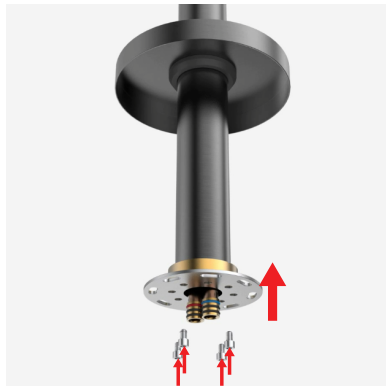


(c) Apply sealant and screw the brass base threaded collar securely onto the base of the outer standing tube.

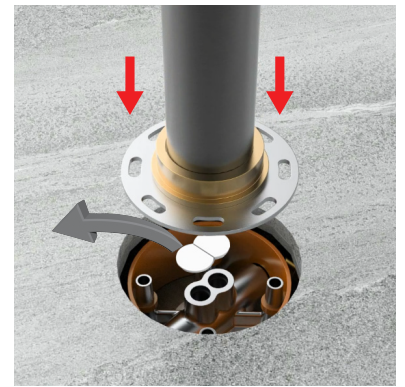
3. INSTALLING THE MIXER



(a) Remove the circular metal cover with the level indicator from the in-floor box by removing the 4 hex bolts.



(b) Bolt the circular metal cover from the in-floor box to the underside of the brass threaded collar at the base of the mixer tube using supplied hex bolts.



(c) Remove the plastic centre protective disc. Insert the hot and cold inlet pipes securely into the outlet ports of the in-floor box. Check for any leaks.

4. INSTALLING OTHER PARTS



(d) Bolt the in-floor circular metal cover securely back onto the top of the in-floor box. Slide the floor cover plate down to conceal the box.



(a) Install other parts.



(b) When finished installing, check the water flow and the function of the tub filler spout and the hand shower. If there is any leak, make sure that the parts fit tightly together.