

# Athena

## 400mm Fluted Round Basin

**Materials:** fine fireclay

**Size:** ø400mm x 125mm(H)

**Color:**



Matte White  
(CB1109MW)



Matte Black  
(CB1109MB)

### Features:

- Available in matte white and matte black 2 colours
- Made from fine fire clay with high quality materials
- Round design with ultra slim rim which provides a seamless appearance
- No tap hole or overflow
- Requires 32mm no overflow popup waste (not included)

### Mounting options:

Above Counter

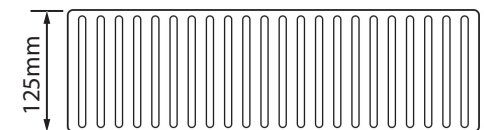
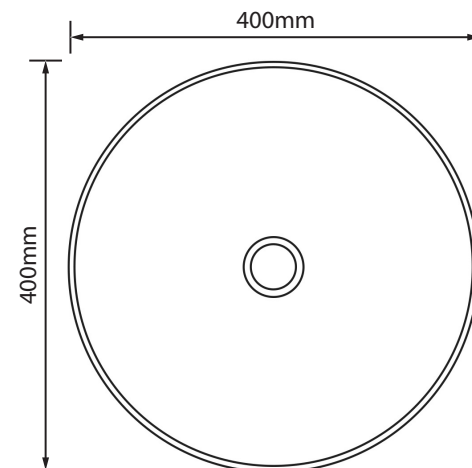
### Cleaning & Care:

- ✓ For daily cleaning, wipe with a clean, soft sponge with mild detergent and warm water. Rinse completely and wipe down surface dry with a microfibre cloth.
- ✓ For harder to clean stains, we recommend using an equal-parts water and bleach solution or non-abrasive cleaner. Rinse thoroughly after cleaning and dry with microfibre cloth to restore its original shine.
- ✗ Do not use harsh abrasives or cleaners containing ammonia or alkalis
- ✗ Do not use scouring pads, steel wool or abrasive powders
- ✗ Do not use paint removers, oven cleaners or aggressive solutions

Front



Top



All measurements in mm and a guide only. Fine fireclay is a nature product and therefore is subject to variations. Variations +/- 2% to the specifications are common and acceptable and are within industry tolerance. The actual sink or basin MUST be onsite to measure before making cabinetry or cutting stone.