

ORI

Fluted Freestanding Bathtub

Features:

- Modern and Nordic fluted design
- Lucite acrylic UV stabilised
- In built steel support frame with adjustable legs
- Available in matte white and gloss white
- Fit 40mm bath waste (sold separately)

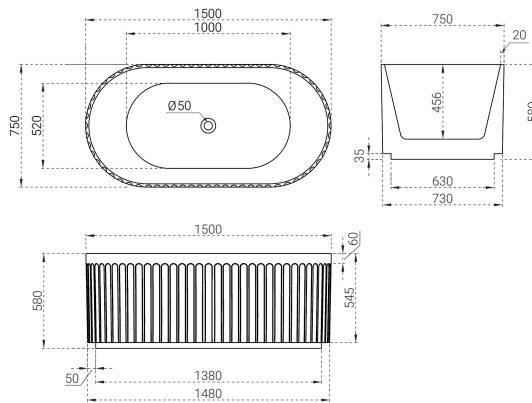
Warranty:

- 10 year product replacement on acrylic structural integrity
- 5 year on frame and adjustment legs

Cleaning & Care:

- ✓ Rinse and wipe down with soft cloth after bath/ shower daily to prevent mildew.
- ✓ For heavily stained or dirty tub, fill the bath with hot water and add 2 cups of white vinegar. Let it sit about 15 minutes and then drain the tub. Sprinkle baking soda all over or apply Jif cream cleanser while the bath is still wet and scrub with a soft damp cloth or sponge. Rinse thoroughly after cleaning.
- ✗ Do not use harsh abrasives chemicals.
- ✗ Do not use scrubbers or sponges that have a rough side designed for heavy-duty cleaning

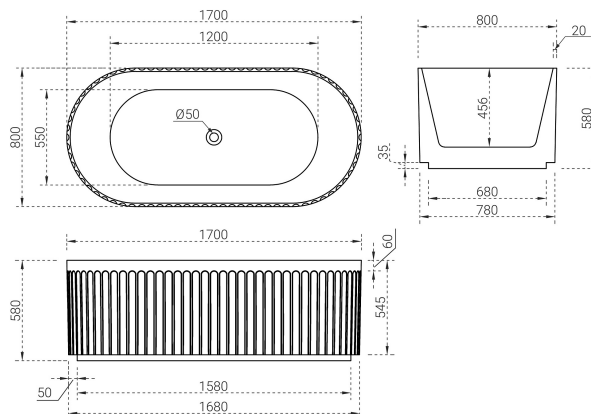
* Acrylic, stone and transparent bathtubs are handcrafted and may differ in measurements. The measurements are representative of all actual product at time of printing. Recommend having the product onsite for rough in. All described measurements are a guide only and are expected to have slight changes subject to Errors and Omissions Excepted (E&EO). Acrylic and stone bathtubs may have differences of +/-10mm. Transparent bathtubs may have differences of +/-20mm.



ORI 150

SIZE: 1500 x 750 x 580mm

- Color: Gloss White (BTF21150)
- Matte White (BTF21150MW)



ORI 170

SIZE: 1700 x 800 x 580mm

- Color: Gloss White (BTF21170)
- Matte White (BTF21170MW)

KUBO

Ribbed Freestanding Bathtub

Features:

- Modern and Nordic fluted design
- Lucite acrylic UV stabilised
- In built steel support frame with adjustable legs
- Available in matte white and gloss white
- Fit 40mm bath waste (sold separately)

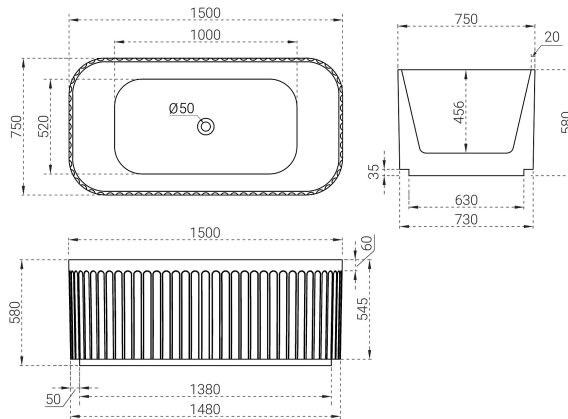
Warranty:

- 10 year product replacement on acrylic structural integrity
- 5 year on frame and adjustment legs

Cleaning & Care:

- ✓ Rinse and wipe down with soft cloth after bath/ shower daily to prevent mildew.
- ✓ For heavily stained or dirty tub, fill the bath with hot water and add 2 cups of white vinegar. Let it sit about 15 minutes and then drain the tub. Sprinkle baking soda all over or apply Jif cream cleanser while the bath is still wet and scrub with a soft damp cloth or sponge. Rinse thoroughly after cleaning.
- ✗ Do not use harsh abrasives chemicals.
- ✗ Do not use scrubbers or sponges that have a rough side designed for heavy-duty cleaning

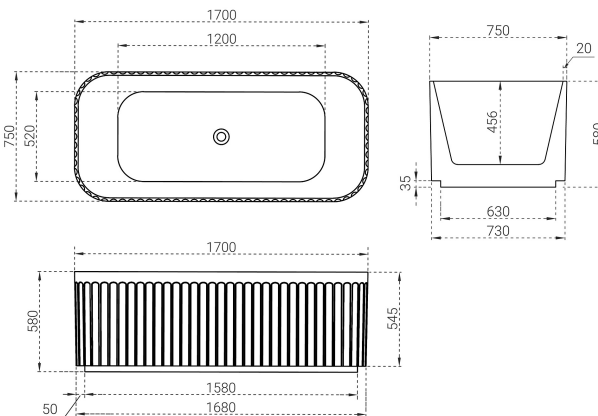
* Acrylic, stone and transparent bathtubs are handcrafted and may differ in measurements. The measurements are representative of all actual product at time of printing. Recommend having the product onsite for rough in. All described measurements are a guide only and are expected to have slight changes subject to Errors and Omissions Excepted (E&EO). Acrylic and stone bathtubs may have differences of +/-10mm. Transparent bathtubs may have differences of +/-20mm.



KUBO 150

SIZE: 1500 x 750 x 580mm

- Color:
- Gloss White (BTF22150)
 - Matte White (BTF22150MW)



KUBO 170

SIZE: 1700 x 750 x 580mm

- Color:
- Gloss White (BTF22170)
 - Matte White (BTF22170MW)