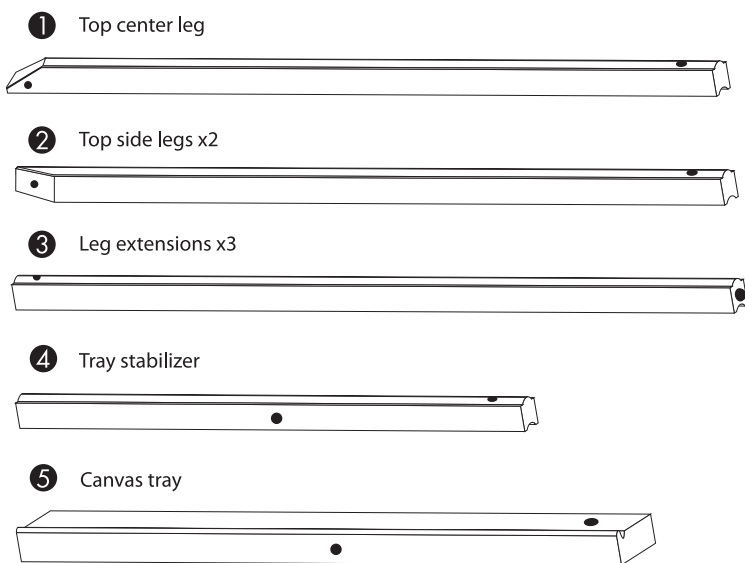
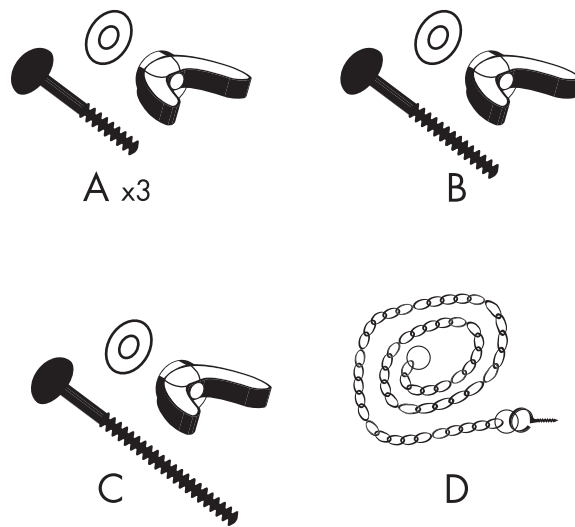


Assembling Instruction for WJ-7

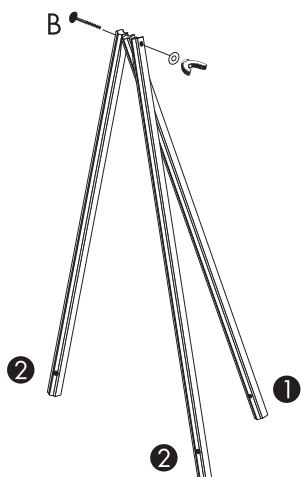
PARTS



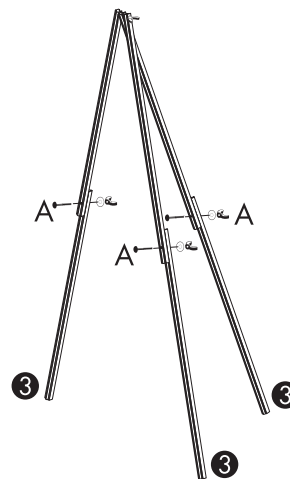
HARDWARE



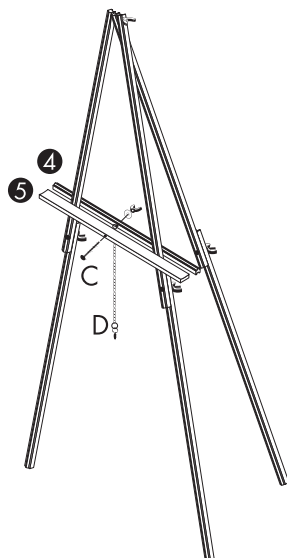
STEP 1 Join the legs of the top



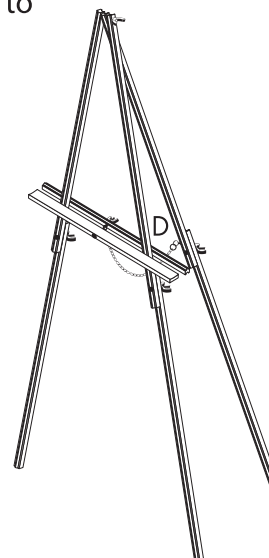
STEP 2 Attach the leg extensions



STEP 3 Attach tray, chain and tray stabilizer



STEP 4 Secure chain to center leg with small eyelet screw



Insert bolt C into Part 5, then through one end loop of chain D, followed by Part 4. Secure with washer and wingnut.

