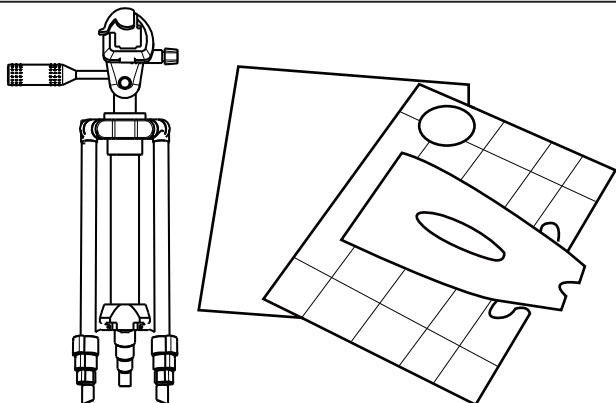


Assembling Instruction for ES-MDBSCHJ

PARTS



All includes:

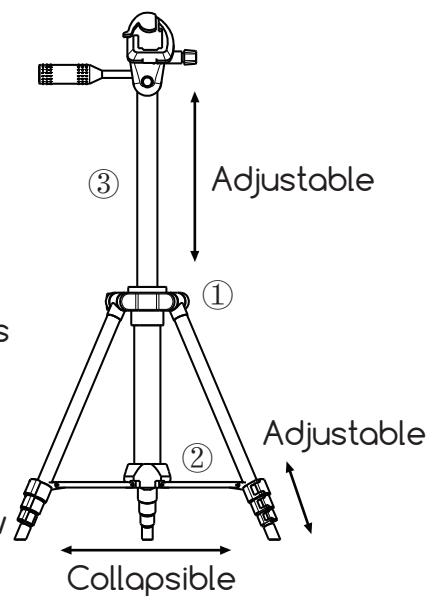
- 1pc-aluminum alloy tripod
- 1pc-drawing board
- 1pc-painting palette
- 1pc-portable bag

STEP 1

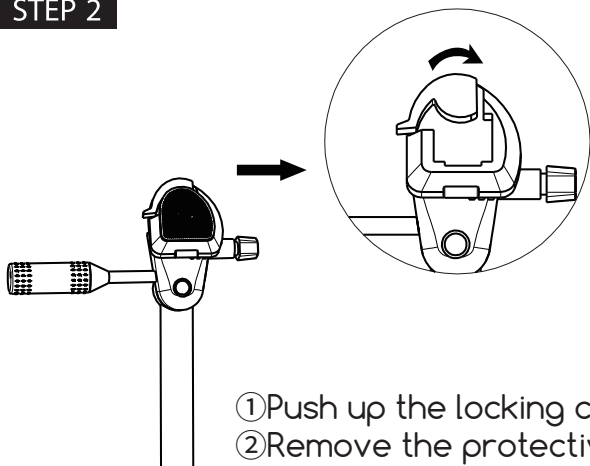
① Loosen the screw at the tripod's joint

② Separate 3 legs

③ Pull the central pole to the comfort height and tighten the screw

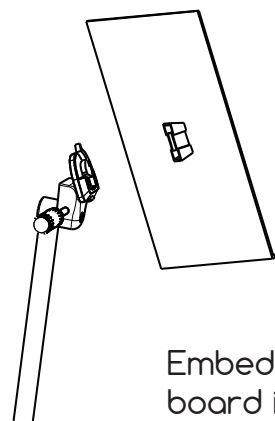


STEP 2



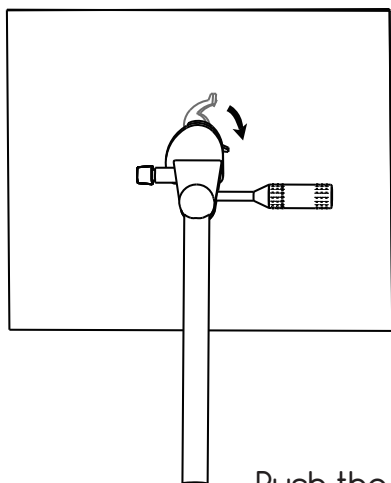
- ① Push up the locking clips
- ② Remove the protective cover of the slot at the top of the pole

STEP 3



Embed the painting board into the slot

STEP 4



Push the clip back to lock-in

STEP 5

Slide the palette from upside to the proper position

