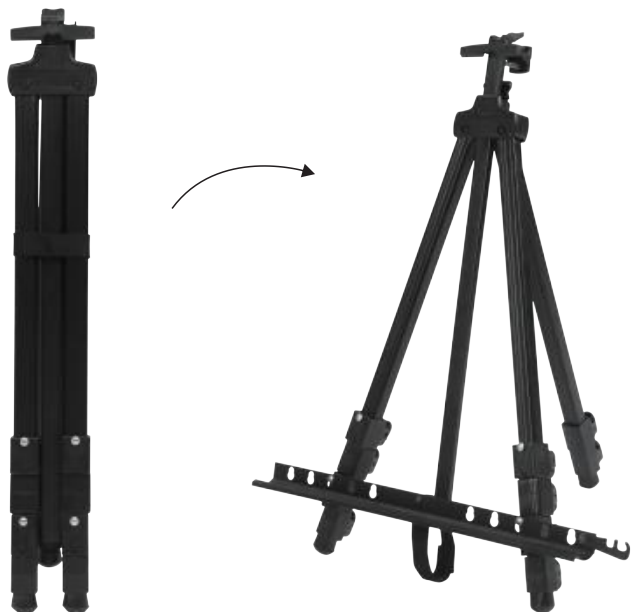


## Assembling Instruction for ES-6025A

**STEP 1** For table top use, simply unfold and mount tray.



**STEP 2** For floor use, extend the legs. Legs telescope in two sections, and can be locked with one-touch mechanism at any interval for height versatility.



**STEP 3** Adjust the mast and canvas clamp to secure the canvas in place.

Step 3: Flip lever down to lock in position.



**STEP 4** Eyelets in the canvas tray allow it to be mounted high or low to accommodate canvases of various heights.

