

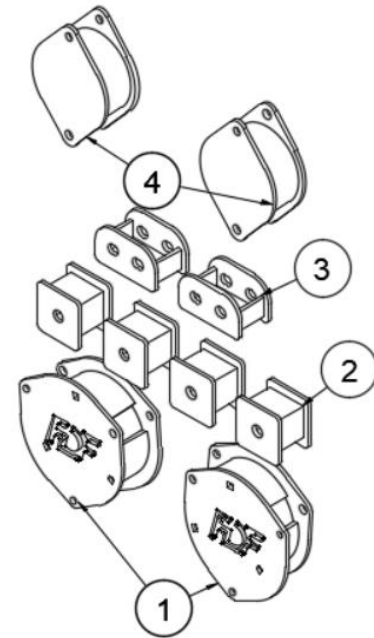
Installation Guide



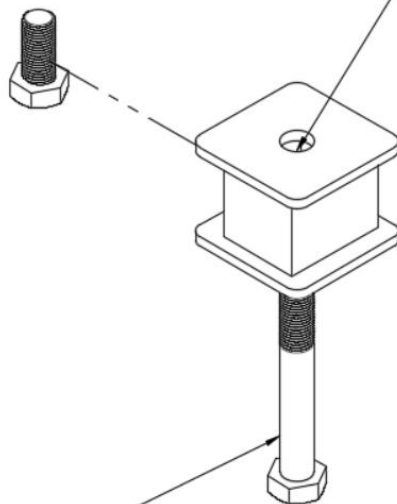
SUBARU LIFT KIT 2008+

See Diagram for the lift kit components *hardware not displayed

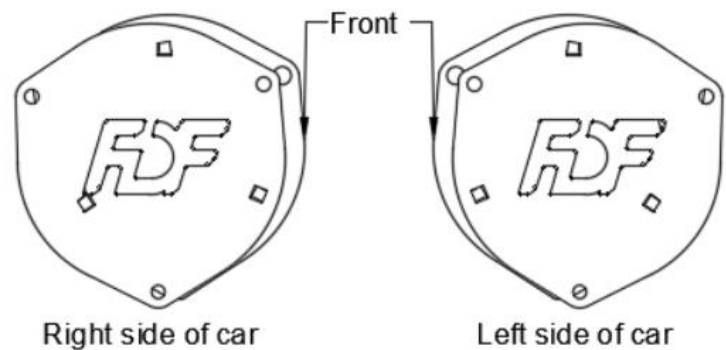
- 1- Front Strut spacers
- 2- Rear Subframe Spacers
- 3- Rear bracket spacers
- 4- Rear Strut spacers



Bolt spacer to the chassis using provided bolt



reinstall subframe using bolt and nut



Right side of car

Left side of car

To correct camber and caster the strut spacers are designed to move the strut inward towards the engine, and back towards the rear of the car

**For offroad
Use only**



**Not For
Road Use**

Must be installed by a licensed professional



fdfraceshopcustomerservice@gmail.com
+1(613)243-8859