



MANUAL PUMP: PUMP L18P

Description

The L18P manual pump is perfectly adapted for use with resistance oil meter units (SLR) on medium size machines with no more than 75 lubrication points.

Functioning

The L18P manual pump works like an accumulator. On pushing the handle, the spring is compressed and the internal chamber is filled with a pre-determined oil quantity.

On releasing the handle, the spring loaded piston pushes the oil into the distribution circuit. Oil volume discharge is measured without any viscosity influence.

Characteristics

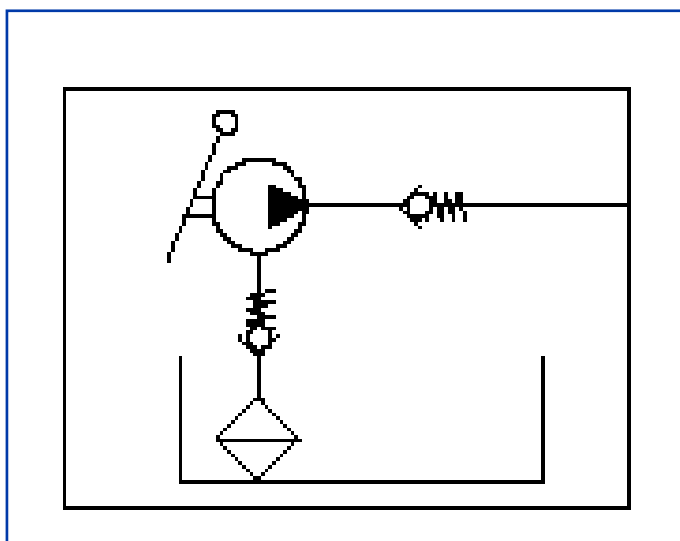
- Discharge: from 6 to 18 cm³/stroke (setting screw and stop nut are inside the reservoir).
- Pressure: 5 bars max.
- Reservoir capacity: 1 litre
- Filter: suction filter 40µ, must be regularly checked and replaced once a year.
- System limits: see in chapter "technical information" the indications on how many lubrication points can be lubricated in regard to the discharge of the pump per cycle.
- Lubricant to be used: mineral oil with viscosities 30 to 1500 Cst at working temperature.



Ordering instructions

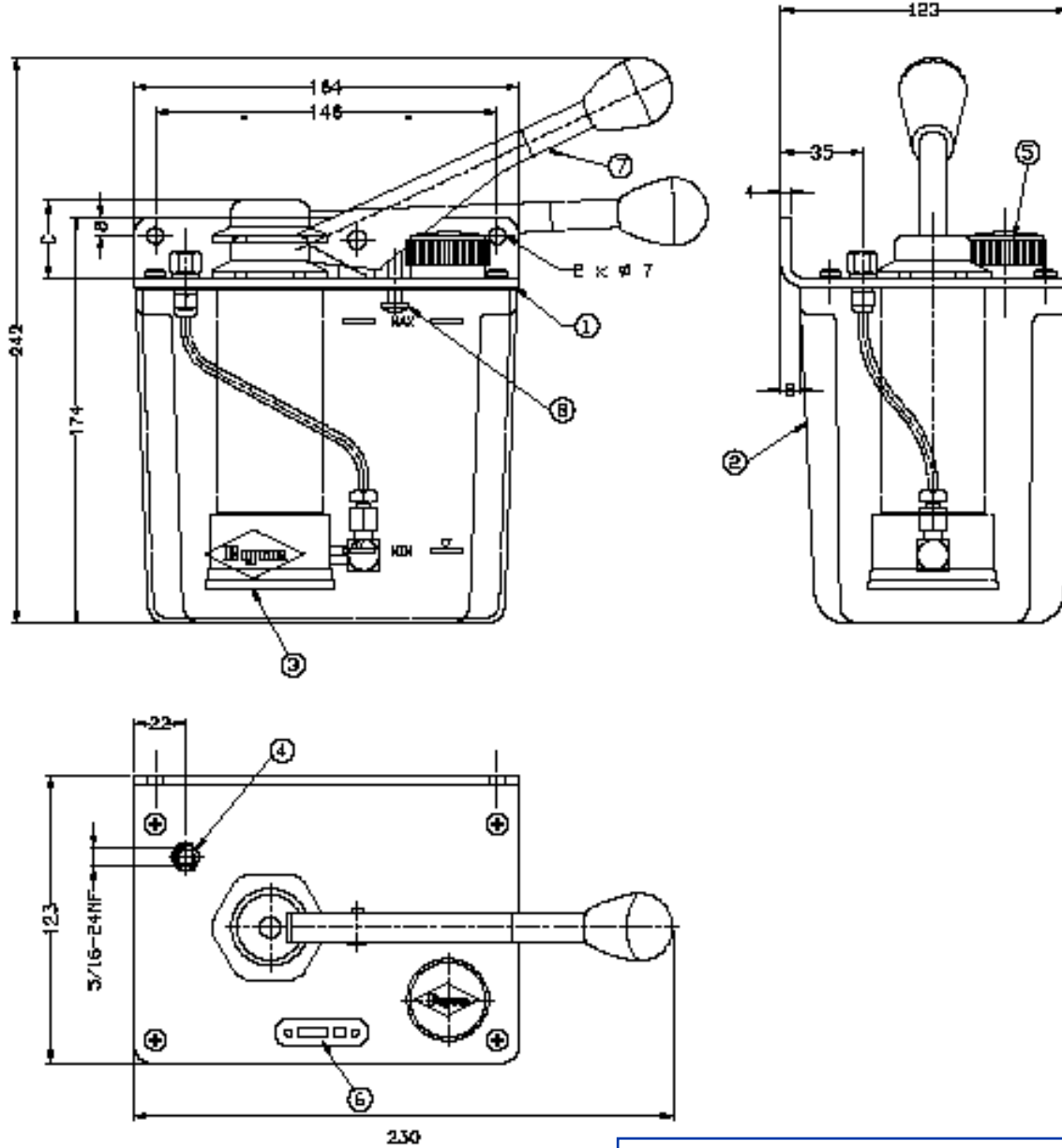
Specify description: reference = **Pump L18P**

System outline





**DRAWING:
PUMP L18P**



LEGEND		
Item	Description	Quantity
1	Reservoir gasket	1
2	Plastic reservoir 1L	1
3	Filter element	1
4	Outlet connector	1
5	Filling plug	1
6	Identification label	1
7	Handle	1
8	Discharge adjustment scREW	1

Discharge cm ³ /st	6	9	12	15	18
Stroke (mm)	35	32	28,5	25,5	22



SERVICE INSTRUCTIONS: PUMP L18P

Start Up

Fill the reservoir and operate the handle until oil arrives at each lubrication point.

Oil

Use only clean mineral oil, of a quality and viscosity as recommended by the manufacturer of the machine. The oil characteristics must allow filtering down to 40 microns without it separating.

Service

The pump must be operated as often as recommended by the machine manufacturer. Check regularly the oil level and fill the reservoir as necessary. Control periodically the lubrication lines to ensure none are broken or crushed and that they are in good condition. Ensure all fittings are correctly tightened. Check regularly the suction filter and replace it once a year.

Spare parts

For ordering, specify reference and type of pump. If possible also advise serial number of the pump.
Maintenance kit for pump L18P. Reference A0-279

For all repairs, it is recommended that the pump be returned to Bijur.



MAINTENANCE KIT: PUMP L18P

Reference	Description	Quantity
A0-279	Reservoir gasket	1
	Filter element	1
	Reservoir screw	4
	Plastic reservoir 1L	1
	Handle	1
	Filling plug	1