

SDR Series regulator



Symbol



Product feature

1. Back pressure structure, compact type, cost-effective, installation time saving.
2. Broad regulating range; low-pressure type is optional other than the standard type; stable output pressure; applicable to situation which has low expectation on output pressure but high expectation on performance and cost-effectiveness.
3. Single unit installation; easy to mount

Specification

| Model | SDR100M5 | SDR10006 | SDR20006 | SDR20008 | SDR100M5L | SDR10006L | SDR20006L | SDR20008L |
|-------------------|-----------------------|----------|----------|----------|----------------------|-----------|-----------|-----------|
| Fluid | Air | | | | | | | |
| Pressure range | 0.05~0.9MPa(7~130psi) | | | | 0.03~0.4MPa(4~57psi) | | | |
| Max. pressure | | | | | 1.0MPa(145psi) | | | |
| Proof pressure | | | | | 1.5MPa(215psi) | | | |
| Temperature range | -20~70°C | | | | | | | |
| Port size [Note1] | M5 | 1/8" | 1/4" | 1/4" | M5 | 1/8" | 1/4" | 1/4" |

[Note1] G thread is available.

Ordering code

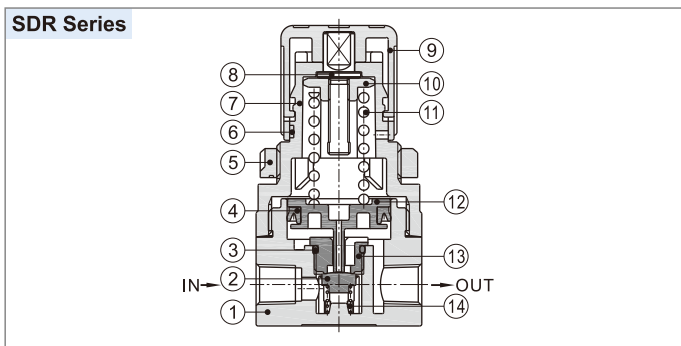
SDR 200 08 L □ □ 1 □

① ② ③ ④ ⑤ ⑥ ⑦ ⑧

| ① Model | ② Series code | ③ Port size | ④ Type code | ⑤ Accessories | ⑥ Pressure gauge | ⑦ Scale[Note] | ⑧ Thread type |
|---------------------------|------------------------------------|--------------------|--------------------------------------|---------------------------------|---|----------------------------|---------------|
| SDR: SDR series regulator | 100: 100 series 200: 200 series | M5: M5 06: 1/8" | Blank: Standard L: Lower pressure | Blank: Bracket J: No bracket | Blank: Pressure gauge N: No pressure gauge | 1: MPa 2: psi 3: bar | G:G Thread |

[Note] When select no pressure gauge, this code is blank.

Inner structure and material of major parts

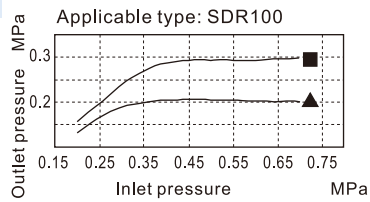


| No. | Item | Material |
|-----|---------------------|----------------|
| 1 | Body | Aluminum alloy |
| 2 | Needle gasket | NBR |
| 3 | O-ring | NBR |
| 4 | O-ring | NBR |
| 5 | Fixed ring | POM |
| 6 | Identification ring | POM |
| 7 | Adjusting seat | POM |
| 8 | Adjusting pillar | Steel |
| 9 | Adjusting button | POM |
| 10 | Adjusting nut | Steel |
| 11 | Adjusting spring | SWC |
| 12 | Piston rode | POM |
| 13 | Adjusting seat | POM |
| 14 | Return spring | SUS304 |

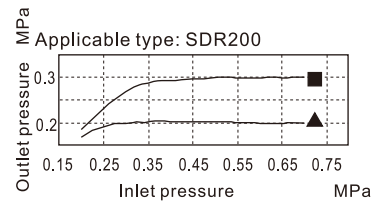
SDR Series regulator

Pressure and feature of flow

Pressure chart

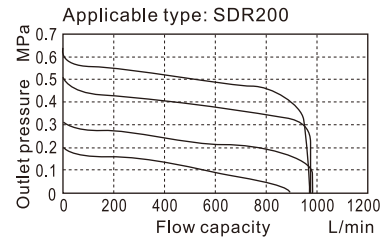
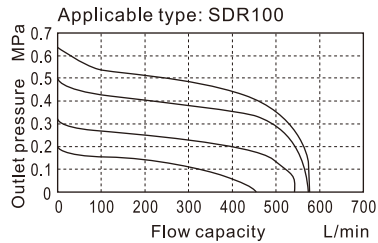


▲ Inlet pressure 0.2MPa ■ Inlet pressure 0.3MPa

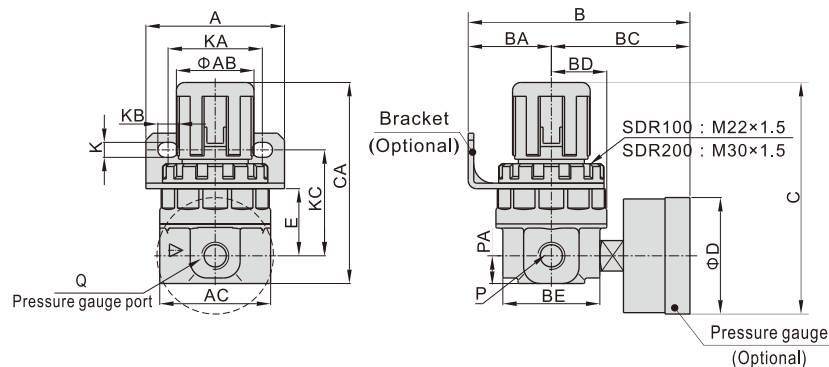


▲ Inlet pressure 0.2MPa ■ Inlet pressure 0.3MPa

Flow chart



Dimensions



| Model\Item | A | AB | AC | B | BA | BC | BD | BE | C | CA | D | E | K | KA | KB | KC | P | PA | Q |
|------------|----|----|----|------|----|------|------|----|------|------|----|----|-----|----|-----|----|------|-----|-------|
| SDR100□M5 | 35 | 20 | 32 | 65.5 | 26 | 39.5 | 14.5 | 29 | 62.5 | 54.5 | 33 | 17 | 5.5 | 22 | 7 | 29 | M5 | 7.5 | 1/16" |
| SDR100□06 | 35 | 20 | 32 | 65.5 | 26 | 39.5 | 14.5 | 29 | 62.5 | 54.5 | 33 | 17 | 5.5 | 22 | 7 | 29 | 1/8" | 7.5 | 1/16" |
| SDR200□06 | 50 | 28 | 40 | 80 | 30 | 50 | 20 | 35 | 83.5 | 72.5 | 42 | 24 | 5.5 | 34 | 7.5 | 38 | 1/8" | 10 | 1/8" |
| SDR200□08 | 50 | 28 | 40 | 80 | 30 | 50 | 20 | 35 | 83.5 | 72.5 | 42 | 24 | 5.5 | 34 | 7.5 | 38 | 1/4" | 10 | 1/8" |

Note: Bracket and pressure gauge are optional.

Attentions of application

Unlock the regulating knob before pressure adjustment, then lock it after the adjustment. Otherwise, may cause the regulating knob damage or the outlet pressure change.

1. Pull the regulating knob to unlock, when the orange marking ring below the regulating knob appears, indicating that the regulating knob is unlocked.
2. Push the regulating knob to lock, when the orange marking ring below the regulating knob disappears completely, indicating that the regulating knob is locked.

