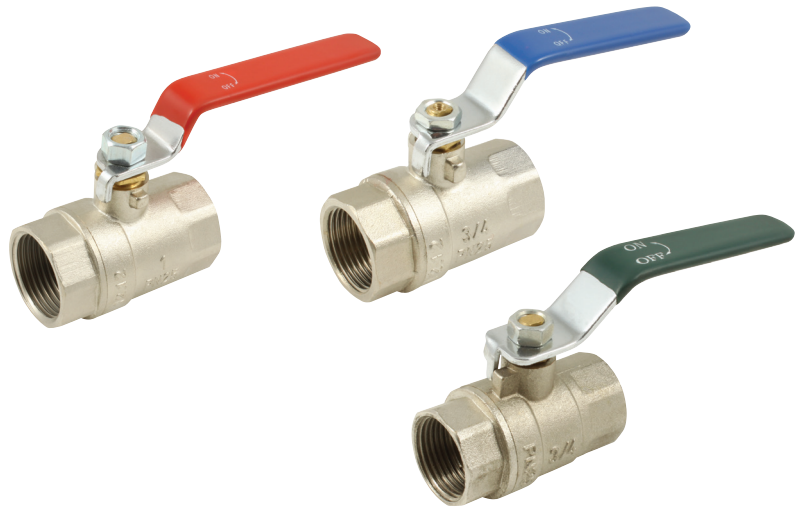
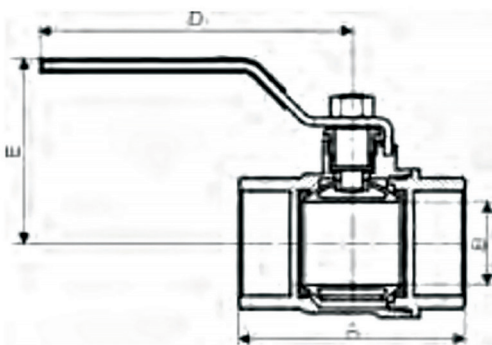


- Full Bore
- Long Thread
- Female x Female BSPP
- Flat Steel Handle
- PTFE Seal and O-Rings
- Brass Body and Stem Seal
- Hard Chrome-Plated Brass Ball



Dimension:

Size(mm)	1/4"	3/8"	1/2"	3/4"	1"	1-1/4"	1-1/2"	2"	2-1/2"	3"	4"
DN	8	10	15	20	25	32	40	50	65	80	100
A	41.8	45	53	61	69	82	98	115	134	149	187.5
B	8	10	14	19	23	31	39.5	48	62	73	95
D	73	73	93	93	118	135	135	165	216.5	271	271
E	38	42	47	56	61.5	68	81	87.5	121.5	129.5	146.5
Weight in grams	118	134	195	268	404	649	982	1466	3182	4134	7186
Thread Length	11.5mm	12mm	14.5mm	14.5mm	16mm	18mm	21mm	24.5mm	27mm	28.5mm	34mm



Temperature Range:
-15 °C to + 120°C



Working Pressure:
25 Bar