

Preparation unit——GA Series

GAR Series Regulator



Symbol

No reflux valve is attached



Reflux valve is attached



Product feature

1. Circular square pressure gauge which with clip and magnifier is used to save installation space.
2. The pressed-in self-locking mechanism can prevent the abnormal movement of the set pressure caused by external interfere.
3. Balanced design is adopted for the pressure adjustment mechanism.
4. In addition to panel installation, the bracket is optional for installation.

Specification

| Model | GAR200-06 | GAR200-08 | GAR300-08 | GAR300-10 | GAR300-15 | GAR400-10 | GAR400-15 | GAR500-20 | GAR600-20 | GAR600-25 |
|-------------------|-----------------------|-----------|-----------|-----------|-----------|-----------|-----------|-----------|-----------|-----------|
| Fluid | Air | | | | | | | | | |
| Port size [Note1] | 1/8" | 1/4" | 1/4" | 3/8" | 1/2" | 3/8" | 1/2" | 3/4" | 3/4" | 1" |
| Pressure range | 0.05~0.9MPa(7~130psi) | | | | | | | | | |
| Max. pressure | 1.0MPa(145psi) | | | | | | | | | |
| Proof pressure | 1.5MPa(215psi) | | | | | | | | | |
| Temperature range | -20~70°C | | | | | | | | | |
| Weight | 170g | | 300g | | | 570g | | 580g | 1390g | |

[Note1] G thread is available.

Ordering code

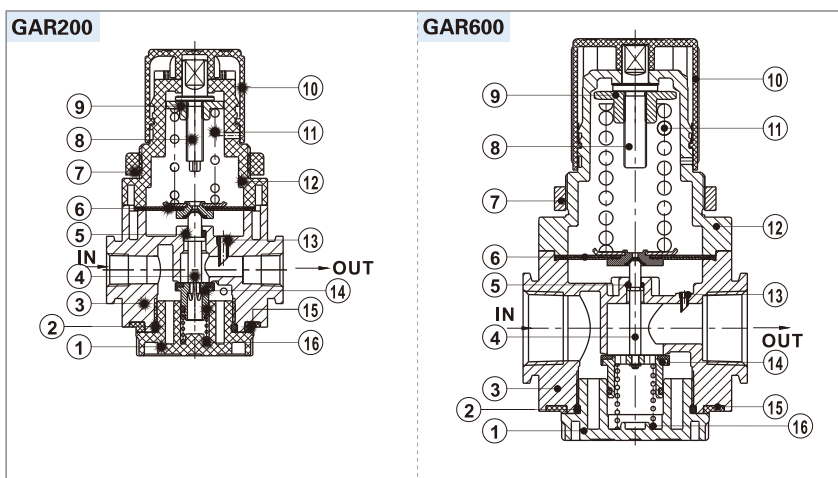
GAR300 10 S □ □ G K

① ② ③ ④ ⑤ ⑥ ⑦

| ① Model | ② Port size | ③ Type code | ④ Accessories | ⑤ Pressure gauge | ⑥ Thread type | ⑦ Code of reflux valve |
|-------------------------------|----------------------------------|--|---------------------------------|--|-----------------------|---|
| GAR200:GA200 Series regulator | 06: 1/8" 08: 1/4" | S: Standard L: Lower pressure [Note1] | Blank: Bracket J: No bracket | Blank: Circular N: No gauge [Note2] | G: G Thread (bar/MPa) | Blank: No reverse flow valve is attached K: Reverse flow valve is attached [Note2] |
| GAR300:GA300 Series regulator | 08: 1/4" 10: 3/8" 15: 1/2" | | | | | |
| GAR400:GA400 Series regulator | 10: 3/8" 15: 1/2" | | | | | |
| GAR500:GA500 Series regulator | 20: 3/4" | S: Standard | | | | |
| GAR600:GA600 Series regulator | 20: 3/4" 25: 1" | | | | | |

[Note1] The work pressure of lower pressure type is 0.05~0.4MPa(7~58psi) ; [Note2] Please refer to page 234 for details of sealing plate installation and reflux valve.

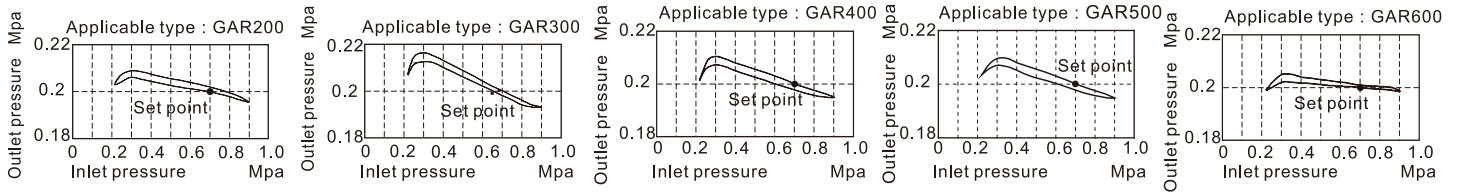
Inner structure



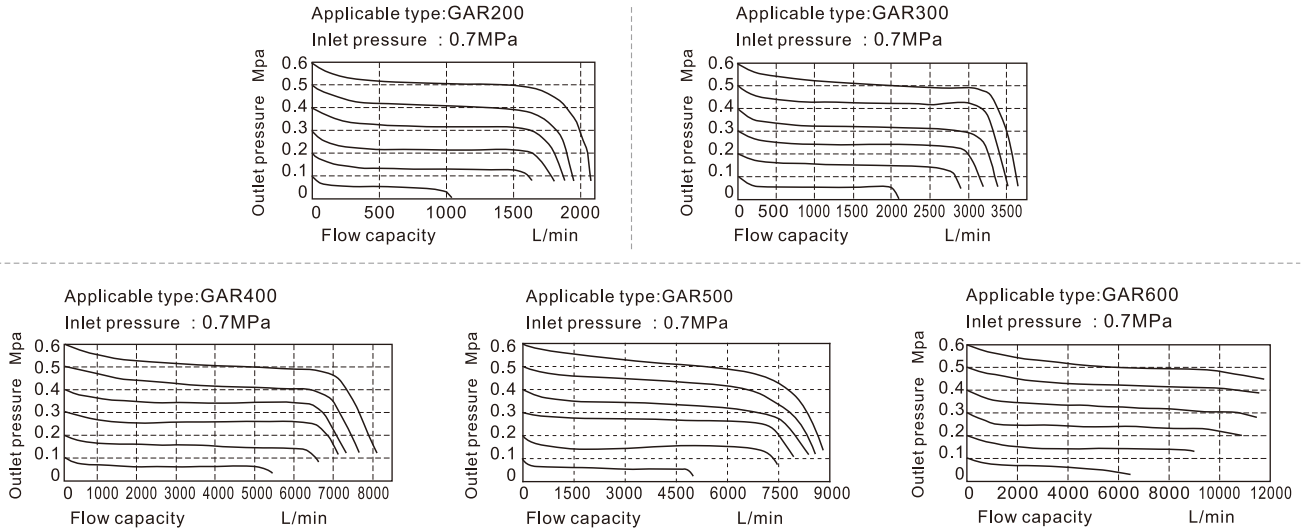
| No. | Item | Material |
|-----|-------------------|------------------------------------|
| 1 | Valve cap | Aluminum alloy(GR600)\POM(others) |
| 2 | O-ring | NBR |
| 3 | Body | Aluminum alloy |
| 4 | Spool | Brass(GR600)\POM(others) |
| 5 | O-ring | NBR |
| 6 | Diaphragm | NBR |
| 7 | Fixed ring | Aluminum alloy (GR600)\POM(others) |
| 8 | Adjusting spindle | Steel |
| 9 | Regulator nut | Steel |
| 10 | Pressure knob | POM |
| 11 | Pressure spring | SWPB |
| 12 | Adjusting seat | Aluminum alloy (GR600)\POM(others) |
| 13 | Feed back tube | POM |
| 14 | Pressure plug | Aluminum alloy & steel |
| 15 | Bottom cover | POM |
| 16 | Spring | SWPB |

GAR Series Regulator

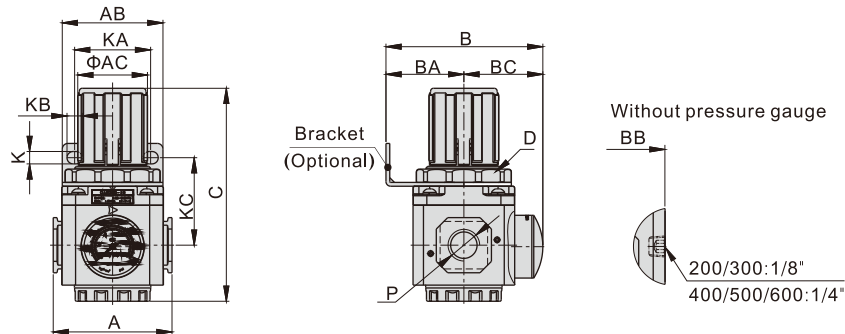
Pressure chart



Flow chart



Dimensions



| Model\Item | A | AB | AC | B | BA | BB | BC | C | D | K | KA | KB | KC | P |
|------------|------|----|----|------|----|------|------|-------|---------|-----|----|------|------|------|
| GAR200-06 | 52.5 | 55 | 31 | 69 | 30 | 51.5 | 39 | 91 | M33x1.5 | 5.4 | 34 | 15.4 | 45 | 1/8" |
| GAR200-08 | 52.5 | 55 | 31 | 69 | 30 | 51.5 | 39 | 91 | M33x1.5 | 5.4 | 34 | 15.4 | 45 | 1/4" |
| GAR300-08 | 62.5 | 53 | 38 | 82.5 | 41 | 67.5 | 41.5 | 112 | M40x1.5 | 6.5 | 40 | 8 | 46 | 1/4" |
| GAR300-10 | 62.5 | 53 | 38 | 82.5 | 41 | 67.5 | 41.5 | 112 | M40x1.5 | 6.5 | 40 | 8 | 46 | 3/8" |
| GAR300-15 | 62.5 | 53 | 38 | 82.5 | 41 | 67.5 | 41.5 | 112 | M40x1.5 | 6.5 | 40 | 8 | 46 | 1/2" |
| GAR400-10 | 80 | 72 | 52 | 99 | 50 | 84 | 49 | 140.5 | M55x2.0 | 8.5 | 55 | 11 | 53 | 3/8" |
| GAR400-15 | 80 | 72 | 52 | 99 | 50 | 84 | 49 | 140.5 | M55x2.0 | 8.5 | 55 | 11 | 53 | 1/2" |
| GAR500-20 | 82 | 72 | 52 | 100 | 50 | 85 | 50 | 140.5 | M55x2.0 | 8.5 | 55 | 11 | 53 | 3/4" |
| GAR600-20 | 100 | 90 | 59 | 128 | 70 | 113 | 58 | 179.5 | M62x1.5 | 11 | 66 | 13 | 73.5 | 3/4" |
| GAR600-25 | 100 | 90 | 59 | 128 | 70 | 113 | 58 | 179.5 | M62x1.5 | 11 | 66 | 13 | 73.5 | 1" |