

# ETS Subminiature Power Relay



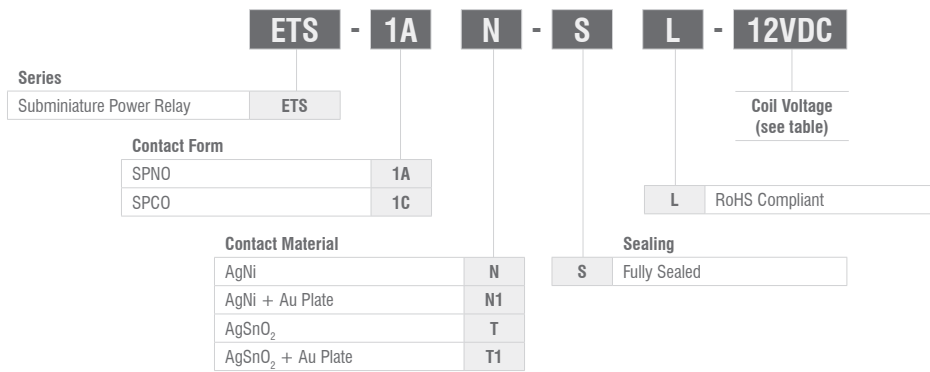
Technical Datasheet

## Key Features

- Slim size: 5mm width
- High breakdown voltage 4kV (between coil & contacts)
- Surge voltage up to 6kV (between coil & contacts)
- Clearance/creepage distance: approx. 8mm
- High sensitivity: 170mW
- 1 Form A and 1 Form C configurations



## Options & Ordering Codes



## Contact Data

Contact Arrangement	1A, 1C
Initial Contact Resistance	100mΩ max. (at 1A 6VDC) Gold Plated: 30mΩ max. (at 1A 6VDC)
Contact Material	AgNi, AgNi + Au Plate, AgSnO <sub>2</sub> , AgSnO <sub>2</sub> + Au Plate
Contact Rating (Res. load)	6A 250VAC / 30VDC
Max. Switching Current	6A
Max. Switching Voltage	400VAC / 125VDC
Max. Switching Power	1500VA / 180W
Mechanical Endurance	1 x 10 <sup>7</sup> ops
Electrical Endurance	NO / NC: 1 x 10 <sup>4</sup> ops (at 85°C)

## Coil Data at 20°C

Coil Voltage VDC	Pick-up Voltage VDC	Drop-out Voltage VDC	Max. Allowable Voltage (VDC 85°C)	Typical Coil Resistance Ω
5	3.75	0.25	7.5	147 ±10%
6	4.50	0.30	9.0	212 ±10%
9	6.75	0.45	13.5	476 ±10%
12	9.00	0.60	18.0	848 ±10%
18	13.5	0.90	27.0	1906 ±15%
24	18.0	1.20	36.0	3390 ±15%
48	36.0	2.40	72.0	10600 ±15%
60	45.0	3.00	90.0	16600 ±15%

## Characteristics

Insulation Resistance	1000mΩ (at 500VDC)	
Dielectric Strength	Between Coil & Contacts	4000VAC 1min
	Between Open Contacts	1000VAC 1min
Operate Time (at nomi. Volt)	8ms max.	
Release Time (at nomi. Volt)	4ms max.	
Ambient Temperature	-40°C to 85°C	
Humidity	5% to 85% RH	
Vibration Resistance	10Hz to 55Hz 1mm DA	
Shock Resistance	Functional	50m/s <sup>2</sup>
	Destructive	1000m/s <sup>2</sup>
Termination	PCB	
Unit Weight	Approx. 5.4g	
Construction	Sealed IP67, Flux Proof	

## Coil

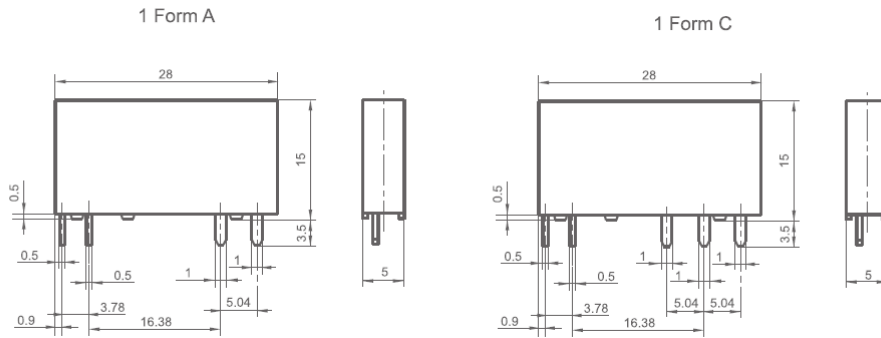
Coil Power	5 to 24VDC: 170mW
	48VDC, 60VDC: 217mW

# ETS Subminiature Power Relay



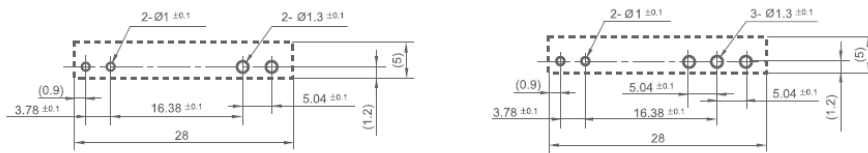
Technical Datasheet

## Dimensions (mm)

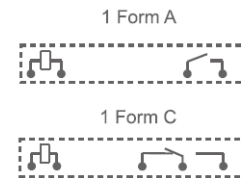


## PCB Layout (Bottom View)

Vertical version



## Wiring Diagram (Bottom View)



## Characteristic Curve

