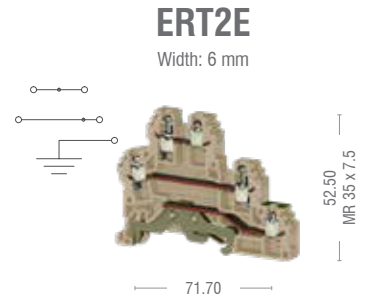
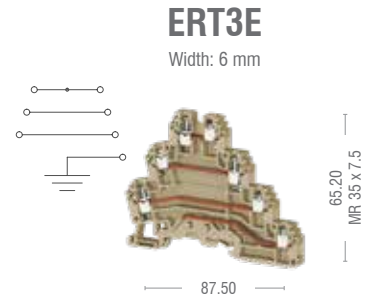


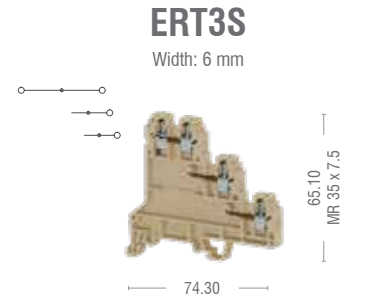
ERT3
Width: 6 mm
2.5 mm² Triple Deck Terminal Block
For 35 mm DIN Rail



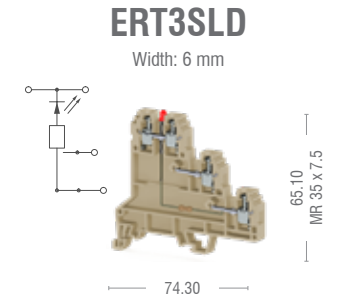
ERT2E
Width: 6 mm
2.5 mm² Double Deck Terminal Block
with Earth
For 35 mm DIN Rail



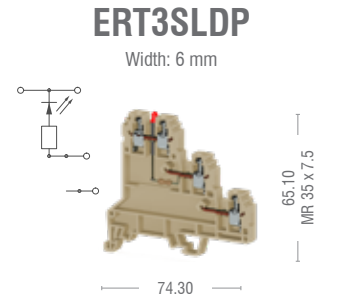
ERT3E
Width: 6 mm
2.5 mm² Triple Deck Terminal Block
with Earth
For 35 mm DIN Rail



ERT3S
Width: 6 mm
2.5 mm² Triple Level Sensor Terminal Block
For 35 mm DIN Rail



ERT3SLD
Width: 6 mm
2.5 mm² Triple Level Sensor Terminal Block
with LED, NPN Configuration
For 35 mm DIN Rail



ERT3SLDP
Width: 6 mm
2.5 mm² Triple Level Sensor Terminal Block
with LED, PNP Configuration
For 35 mm DIN Rail



Electrical Ratings
CE (EN 60947-7-1)
cRUus
VDE (IEC 60947-7-1)
CSA
IECEX

Connection Data	
Conductor cross section solid (min.-max.)	0.2 - 4 mm ²
Conductor cross section stranded (min.-max.)	0.2 - 4 mm ²
2 Conductors with same cross section, stranded, TWIN ferrules with plastic sleeve, (min.-max.)	0.5 - 1.5 mm ²
AWG Conductor	AWG 24 - 12
Insulation Stripping Length	7 - 8 mm
Torque (min.-max.)	0.4 - 0.6 Nm
Screwdriver	0.6 x 3.5

Technical Data	
Rated Impulse Voltage	6/3
Insulation material group / Gauge pin code according to IEC 60947-1	1/A3
Protection class / Protection conductor type	IP 20/ -

Ordering Data	
Beige	
Grey	

Cross Connection - Comb Connection

Isolation Cover

End Bracket	
xx: Beige or Grey	

Test Plug and Sockets

Warning Label	
Available in White and Yellow	

Group Marking

Unprinted Markers

Voltage, V ~	Current, A	Cross Section
440	24	2.5 mm ²
300	24	AWG 24 - 12
400	24	

Terminal	Qty.	End Plate	Qty.
ERT3BEIGE	20	EPT3BEIGE	10
ERT3GREY	20	EPT3GREY	10

Terminal	Qty.	End Plate	Qty.
ERT3BEIGE	20	EPT3BEIGE	10
ERT3GREY	20	EPT3GREY	10

Part Number	Qty.	Part Number	Qty.
CC2.5/2T	25		
CC2.5/3T	20		
CC2.5/4T	15		
CC2.5/10T	5		

Part Number	Qty.	Part Number	Qty.
ES1xx	100		
ES4xx	100		
ES7xx	50		

Part Number	Qty.	Part Number	Qty.
TSK3	100		
TF2.3	100		

With Symbol	Qty.	Without Symbol	Qty.

Part Number	Qty.	Part Number	Qty.
GM	50	GM3	50
GM1-1	25		
GM1-2	25		
GM2-2	25		

Part Number	Qty.	Part Number	Qty.
DG10/5	440		
DG10/6	360		

Voltage, V ~	Current, A	Cross Section
440	24	2.5 mm ²
300	24	AWG 24 - 12
400	24	

Terminal	Qty.	End Plate	Qty.
ERT2EBEIGE	20	EPT2EBEIGE	10
ERT2EGREY	20	EPT2EGREY	10

Terminal	Qty.	End Plate	Qty.
ERT2EBEIGE	20	EPT2EBEIGE	10
ERT2EGREY	20	EPT2EGREY	10

Part Number	Qty.	Part Number	Qty.
CC2.5/2T	25		
CC2.5/3T	20		
CC2.5/4T	15		
CC2.5/10T	5		

Part Number	Qty.	Part Number	Qty.
ES1xx	100		
ES4xx	100		
ES7xx	50		

Part Number	Qty.	Part Number	Qty.
TSK3	100		
TF2.3	100		

With Symbol	Qty.	Without Symbol	Qty.

Part Number	Qty.	Part Number	Qty.
GM	50	GM3	50
GM1-1	25		
GM1-2	25		
GM2-2	25		

Part Number	Qty.	Part Number	Qty.
DG10/5	440		
DG10/6	360		

Voltage, V ~	Current, A	Cross Section
440	24	2.5 mm ²
300	24	AWG 24 - 12
400	24	

Terminal	Qty.	End Plate	Qty.
ERT3EBEIGE	20	EPT3EBEIGE	10
ERT3EGREY	20	EPT3EGREY	10

Terminal	Qty.	End Plate	Qty.
ERT3EBEIGE	20	EPT3EBEIGE	10
ERT3EGREY	20	EPT3EGREY	10

Part Number	Qty.	Part Number	Qty.
CC2.5/2T	25		
CC2.5/3T	20		
CC2.5/4T	15		
CC2.5/10T	5		

Part Number	Qty.	Part Number	Qty.
ES1xx	100		
ES4xx	100		
ES7xx	50		

Part Number	Qty.	Part Number	Qty.
TSK3	100		
TF2.3	100		

With Symbol	Qty.	Without Symbol	Qty.

Part Number	Qty.	Part Number	Qty.
GM	50	GM3	50
GM1-1	25		
GM1-2	25		
GM2-2	25		

Part Number	Qty.	Part Number	Qty.
DG10/5	440		
DG10/6	360		

Voltage, V ~	Current, A	Cross Section
500	24	2.5 mm ²
300	24	AWG 24 - 12

Terminal	Qty.	End Plate	Qty.
ERT3SBEIGE	20	EPT3ESBEIGE	10
ERT3SGREY	20	EPT3ESGREY	10

Terminal	Qty.	End Plate	Qty.
ERT3SBEIGE	20	EPT3ESBEIGE	10
ERT3SGREY	20	EPT3ESGREY	10

Part Number	Qty.	Part Number	Qty.
CC2.5/2T	25		
CC2.5/3T	20		
CC2.5/4T	15		
CC2.5/10T	5		

Part Number	Qty.	Part Number	Qty.
ES1xx	100		
ES4xx	100		
ES7xx	50		

Part Number	Qty.	Part Number	Qty.
TSK3	100		
TF2.3	100		

With Symbol	Qty.	Without Symbol	Qty.

Part Number	Qty.	Part Number	Qty.
GM	50	GM3	50
GM1-1	25		
GM1-2	25		
GM2-2	25		

Part Number	Qty.	Part Number	Qty.
DG10/5	440		
DG10/6	360		

Voltage, V ~	Current, A	Cross Section
24	24	2.5 mm ²
300	24	AWG 24 - 12

Terminal	Qty.	End Plate	Qty.
ERT3SLDBEIGE	20	EPT3ESBEIGE	10
ERT3SLDGREY	20	EPT3ESGREY	10

Terminal	Qty.	End Plate	Qty.
ERT3SLDBEIGE	20	EPT3ESBEIGE	10
ERT3SLDGREY	20	EPT3ESGREY	10

Part Number	Qty.	Part Number	Qty.
CC2.5/2T	25		
CC2.5/3T	20		
CC2.5/4T	15		
CC2.5/10T	5		

Part Number	Qty.	Part Number	Qty.
ES1xx	100		
ES4xx	100		
ES7xx	50		

Part Number	Qty.	Part Number	Qty.
TSK3	100		
TF2.3	100		

With Symbol	Qty.	Without Symbol	Qty.

Part Number	Qty.	Part Number	Qty.
GM	50	GM3	50
GM1-1	25		
GM1-2	25		
GM2-2	25		

Part Number	Qty.	Part Number	Qty.
DG10/5	440	MT5	500
DG10/6	360		
DG6/5	400		

Voltage, V ~	Current, A	Cross Section
24	24	2.5 mm ²
300	24	AWG 24 - 12

Terminal	Qty.	End Plate	Qty.
ERT3SLDPBEIGE	20	EPT3ESBEIGE	10
ERT3SLDPGREY	20	EPT3ESGREY	10

Terminal	Qty.	End Plate	Qty.
ERT3SLDPBEIGE	20	EPT3ESBEIGE	10
ERT3SLDPGREY	20	EPT3ESGREY	10

Part Number	Qty.	Part Number	Qty.
CC2.5/2T	25		
CC2.5/3T	20		
CC2.5/4T	5		
CC2.5/10T	5		

Part Number	Qty.	Part Number	Qty.
ES1xx	100		
ES4xx	100		
ES7xx	50		

Part Number	Qty.	Part Number	Qty.
TSK3	100		
TF2.3	100		

With Symbol	Qty.	Without Symbol	Qty.

Part Number	Qty.	Part Number	Qty.
GM	50	GM3	50
GM1-1	25		
GM1-2	25		