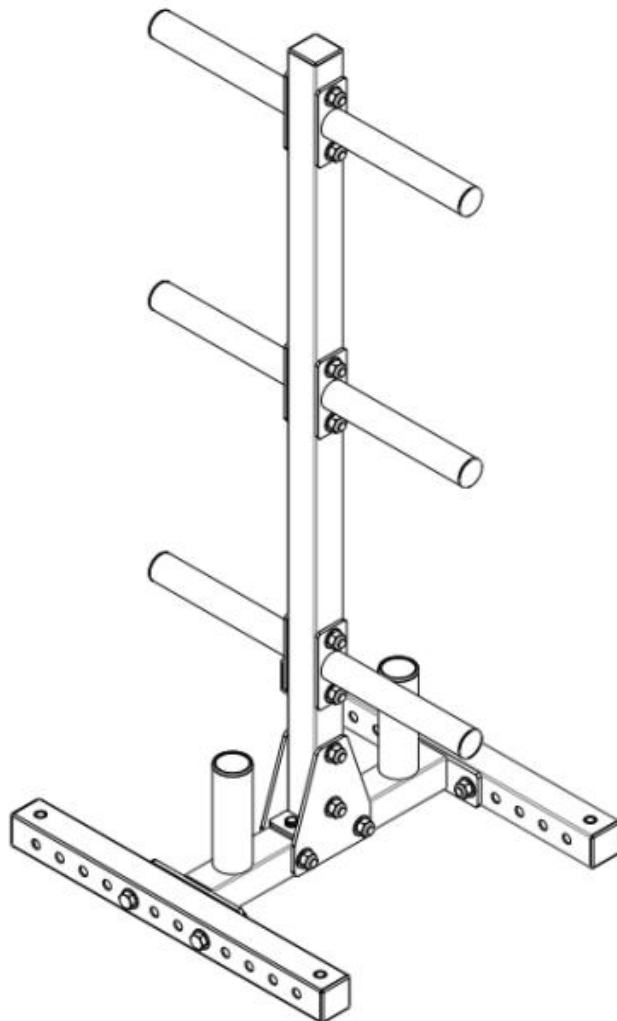
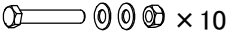
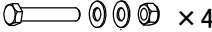
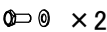


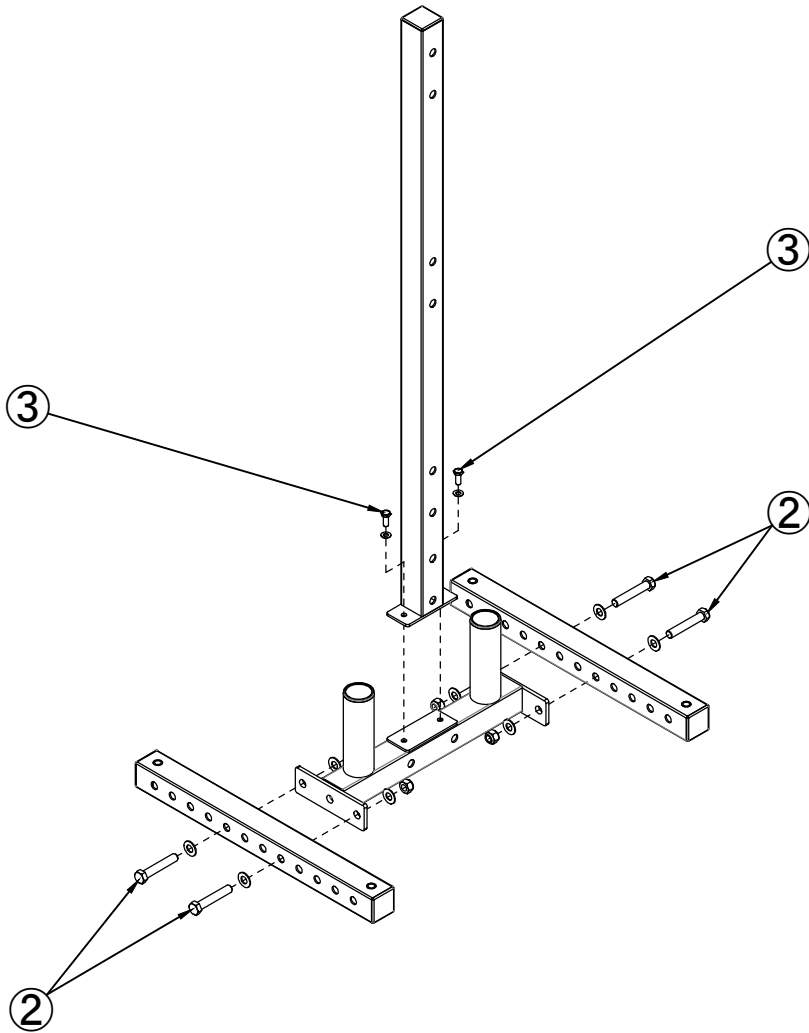
FRINGE SPORT

SKU:BarHolder-FS-VP-V2



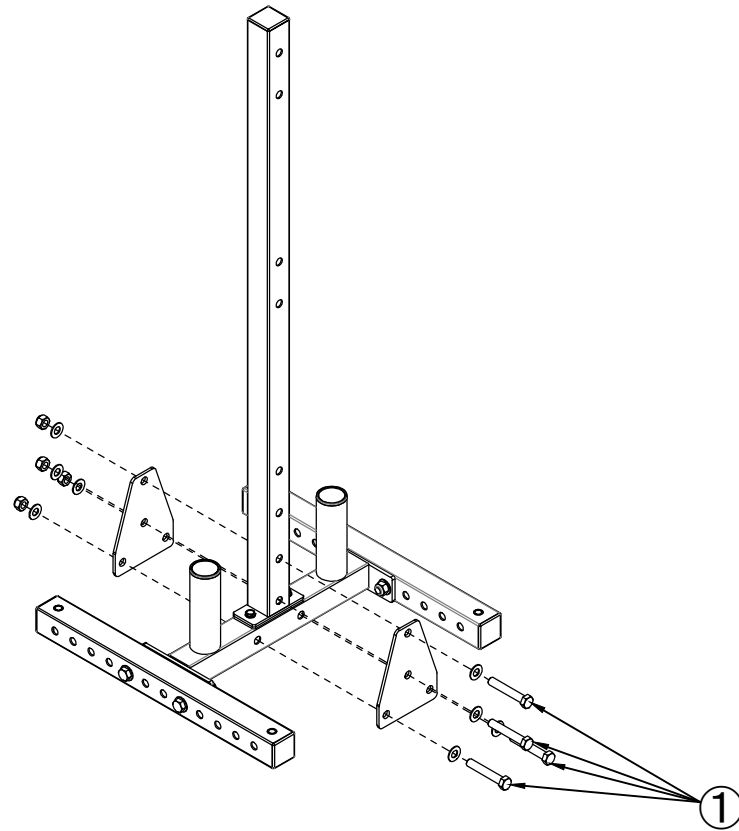
① M16 × 95 bolt,nut,washer  × 10	② M16 × 90 bolt,nut,washer  × 4	③ M10 × 25 bolt,washer  × 2
--	---	--

1



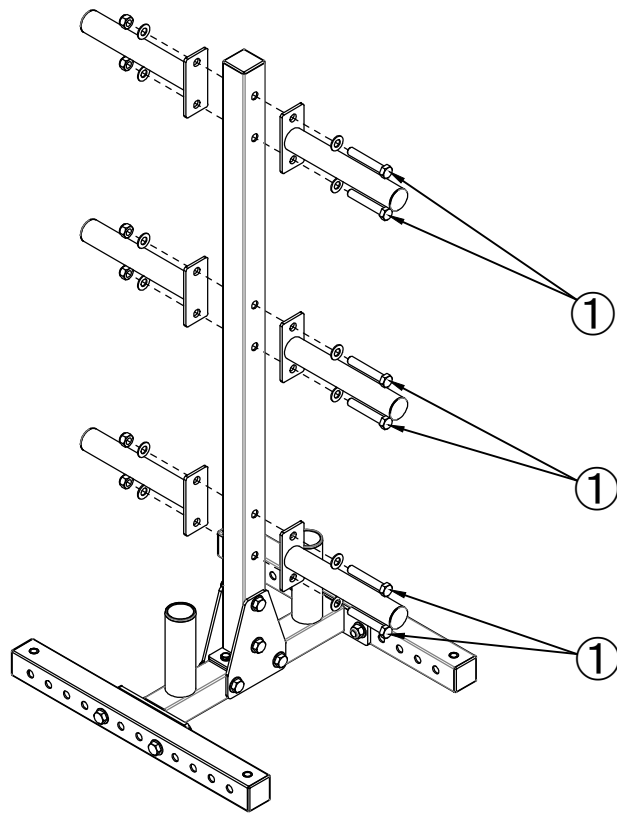
(1)

2



(2)

3



(3)