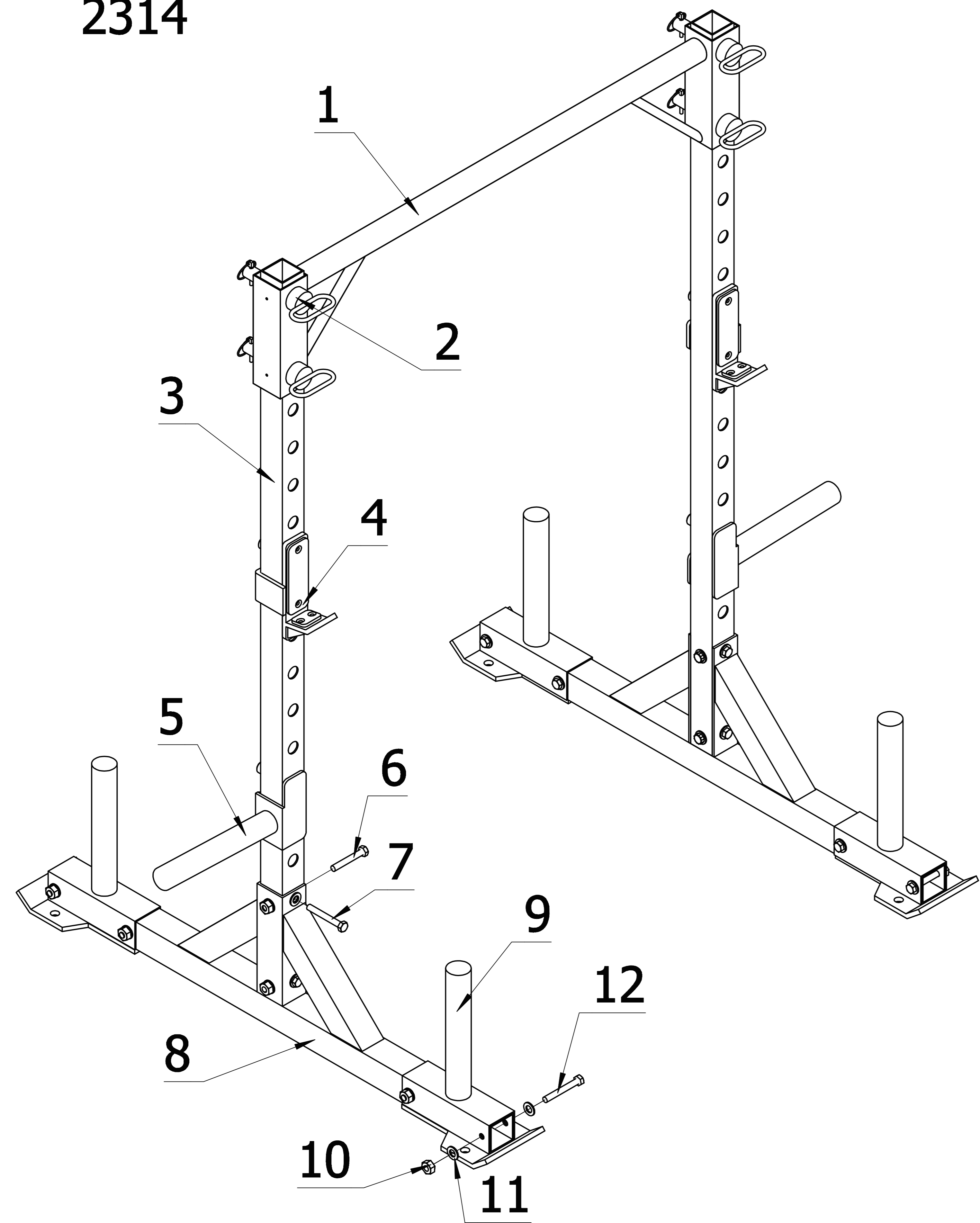
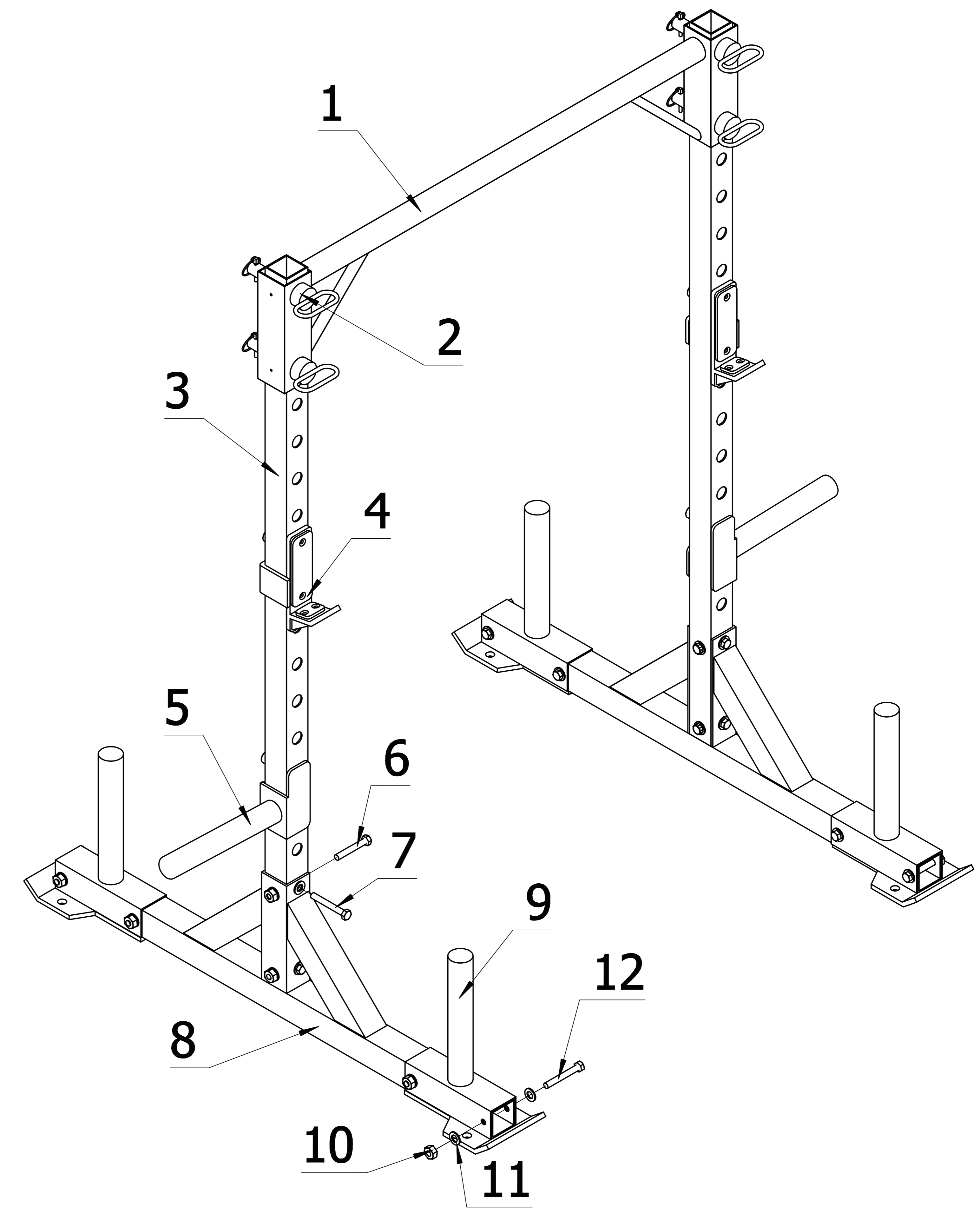


2314



2314



No.	Description	Q'ty	No.	Description	Q'ty
1	Beams	1	7	Bolt M12x90	4
2	Safety pin	4	8	The base	2
3	Upright stand	2	9	Sled fram	4
4	J-cup hook	2	10	Nut M12	16
5	Load pin	2	11	Washer $\phi 12$	32
6	Bolt M12x90	4	12	Bolt M12x100	8

No.	Description	Q'ty	No.	Description	Q'ty
1	Beams	1	7	Bolt M12x90	4
2	Safety pin	4	8	The base	2
3	Upright stand	2	9	Sled fram	4
4	J-cup hook	2	10	Nut M12	16
5	Load pin	2	11	Washer $\phi 12$	32
6	Bolt M12x90	4	12	Bolt M12x100	8