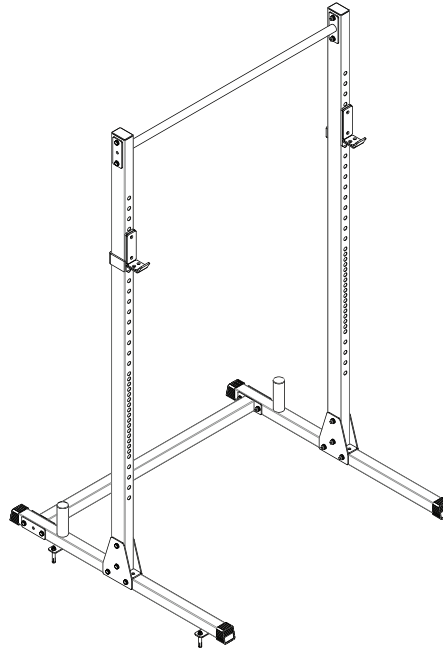


FRINGE SPORT

Assembly Instructions



SQUAT RACK WITH PULL-UP BAR

Tools Needed For Assembly:

 2 Adjustable Wrenches
 OR
  2 Adjustable Wrenches / Socket Wrench with 5/8" (16 mm) Socket
 &
  2 Wrenches / socket wrench with 1/2" (13mm) socket

Assembly Time:

40:00

40 Minutes

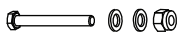
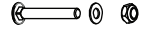




Assembly



▲
Easy

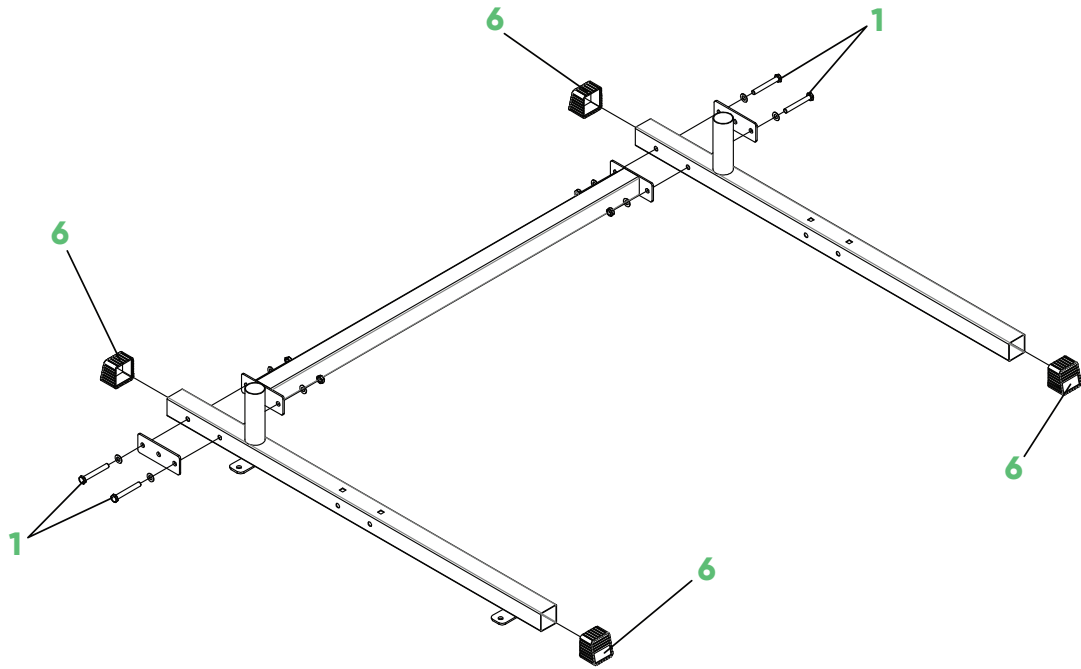
▲
Advanced

Parts

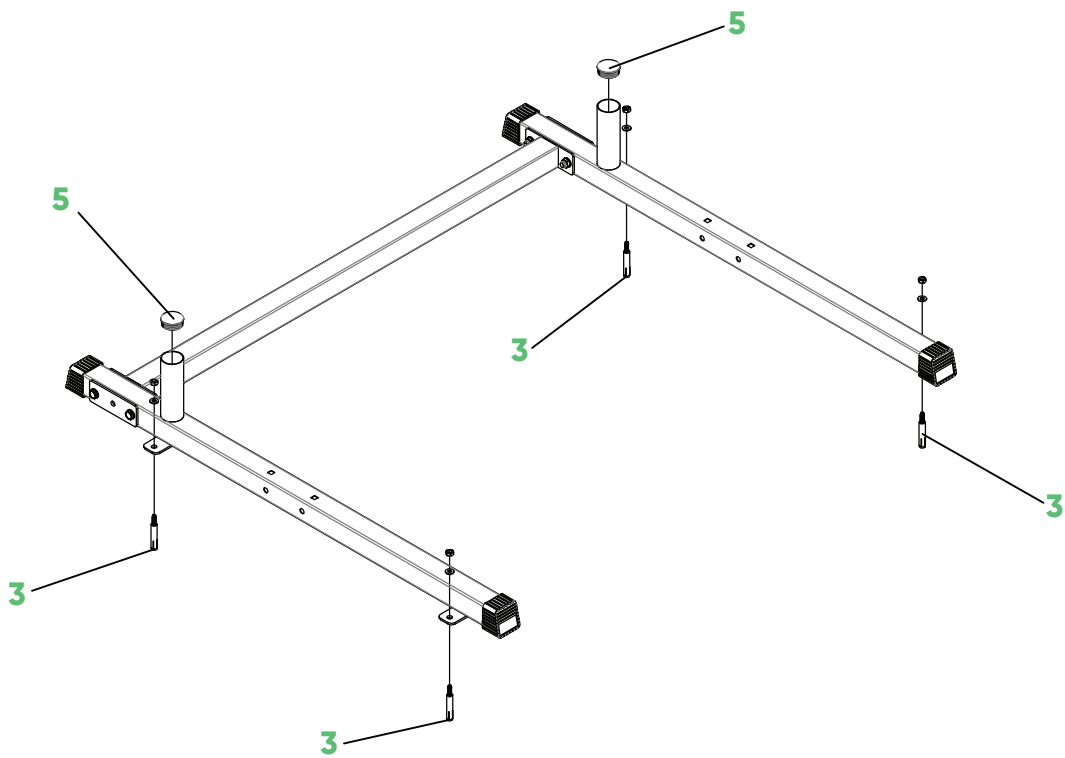
<p>1</p>  <p>M10 x 75 Bolt, Nut, Washer x16</p>	<p>2</p>  <p>M10 x 70 Bolt, Nut, Washer x4</p>	<p>3</p>  <p>M8 x 80 Bulgy Screw x8</p>	<p>4</p>  <p>75 x 50 Tubg Plug x6</p>	<p>5</p>  <p>Ø45 Tubg Plug x6</p>
<p>6</p>  <p>50 Foot Cover x4</p>				

ASSEMBLY GUIDE

1



2



3

