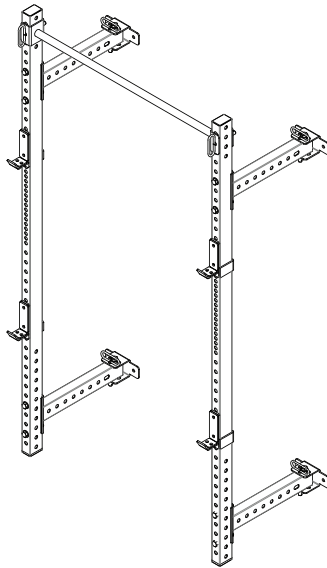


# FRINGE SPORT

## Assembly Instructions



### RETRACTABLE POWER RACK

#### Tools Needed For Assembly:



2 Adjustable  
Wrenches

OR



2 Adjustable Wrenches / Socket  
Wrench with 15/16" (24 mm) Socket

Assembly  
Time:

60:00

60 Minutes

Assembly



▲  
Easy

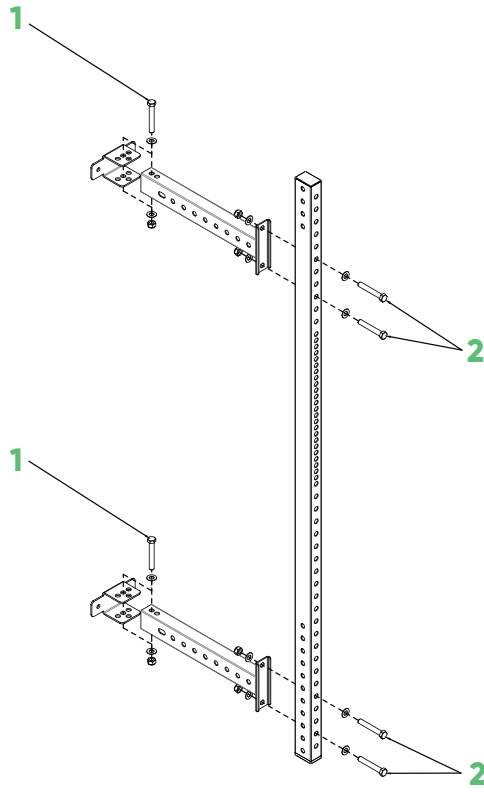
▲  
Advanced

### Parts

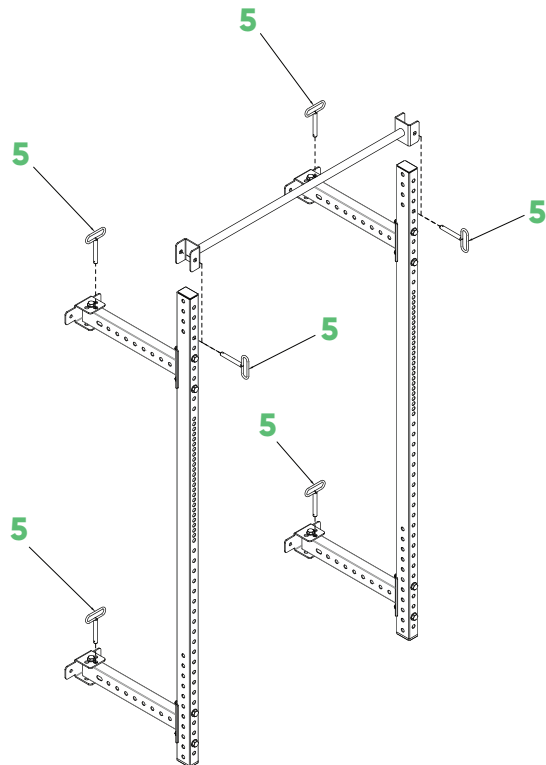
<p><b>1</b></p> <p>M16 x 110 Bolt, Nut, Washer x4</p>	<p><b>2</b></p> <p>M16 x 100 Bolt, Nut, Washer x8</p>	<p><b>3</b></p> <p>M12 x 100 Bulgy Screw x8</p>	<p><b>4</b></p> <p>Ø3 x 60 Elastic Cotter Pin x6</p>	<p><b>5</b></p> <p>Ø16 Pin x6</p>
---	---	---	--	-----------------------------------

# ASSEMBLY GUIDE

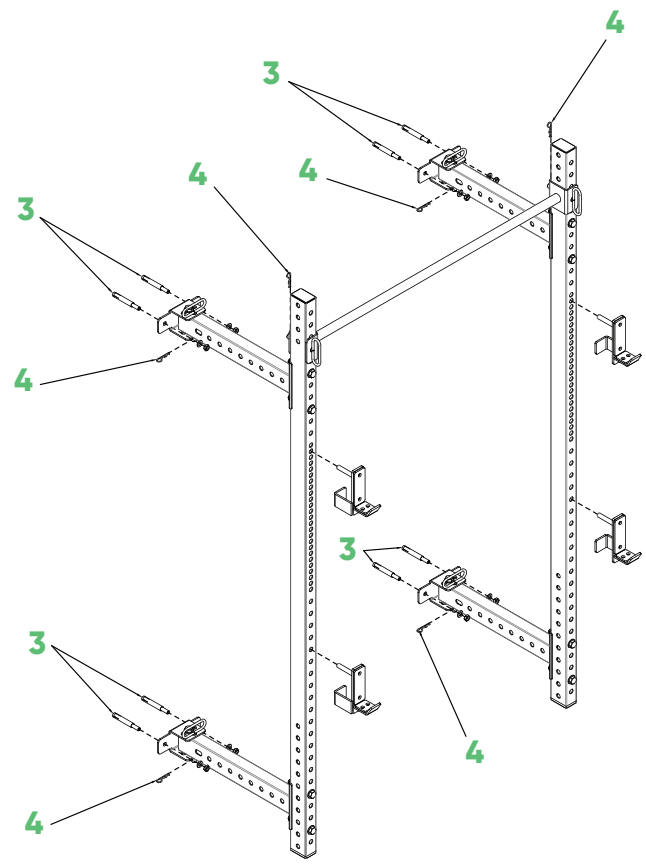
1



2



3



4

