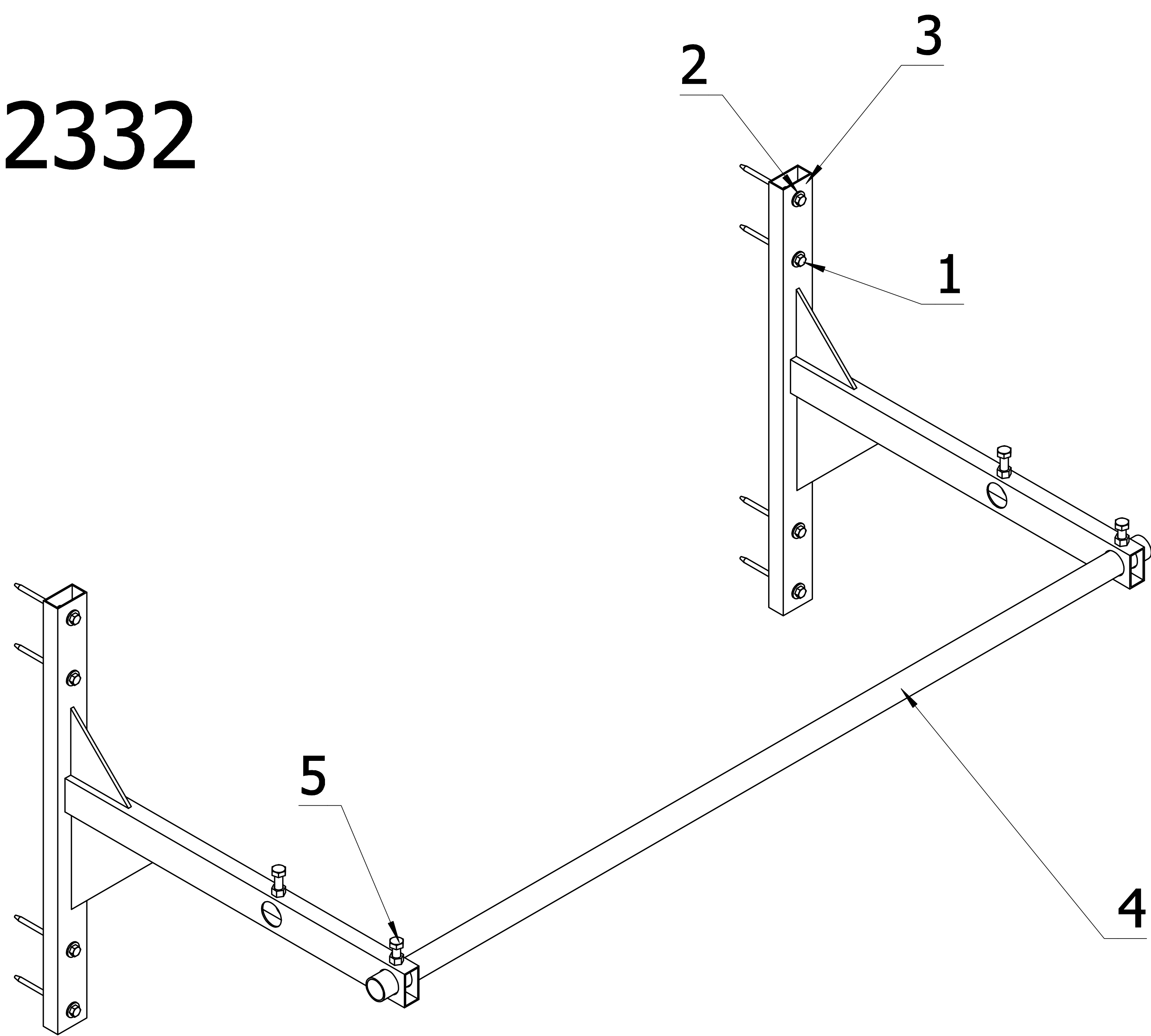


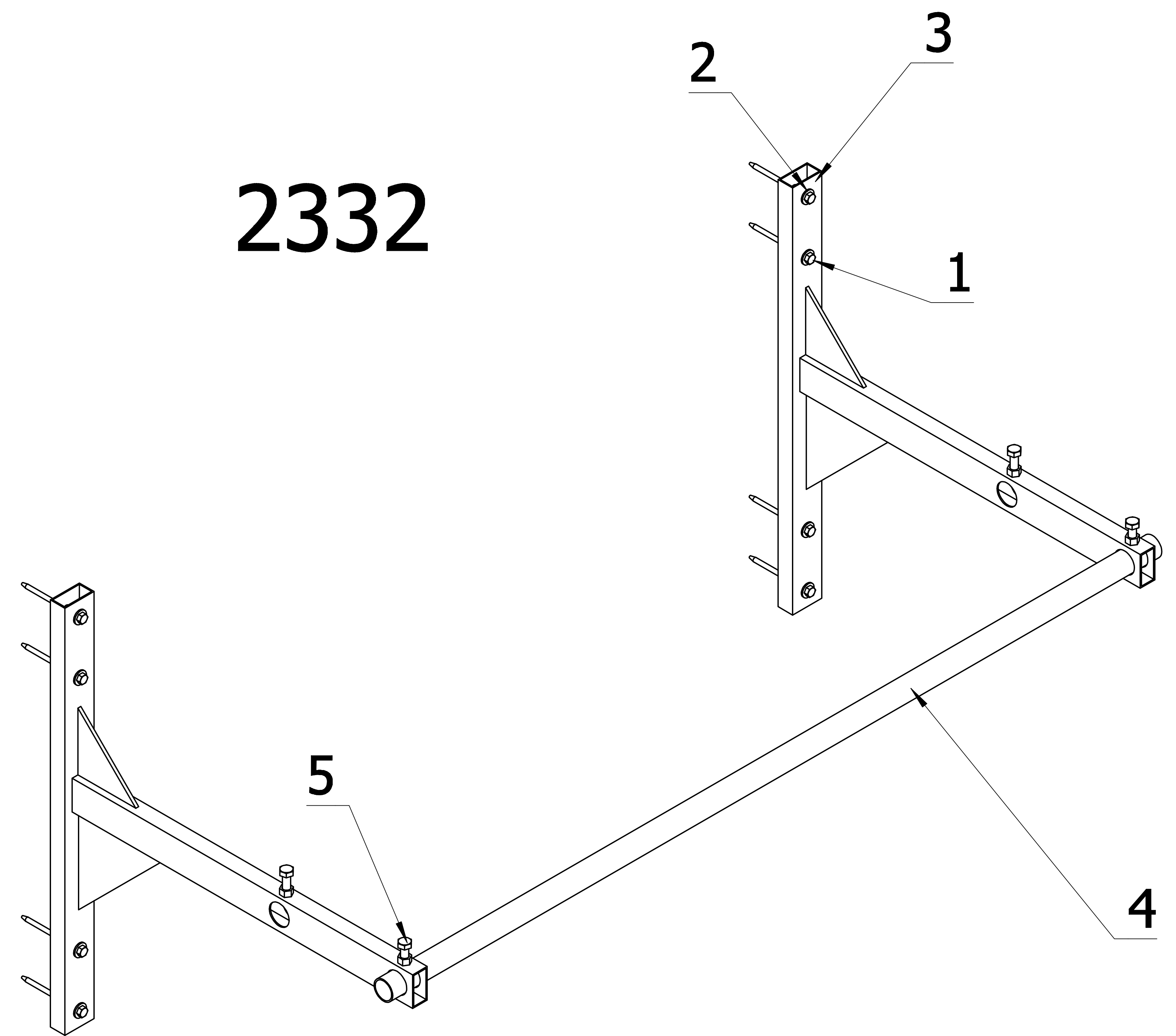
2332



PARTS LIST

No.	Description	Q'TY
1	Expansion screw M10*80	8
2	Washer $\phi 10$	8
3	Base	2
4	$\phi 32$ steel tube	1
5	Bolt M10*30	4

2332



PARTS LIST

No.	Description	Q'TY
1	Expansion screw M10*80	8
2	Washer $\phi 10$	8
3	Base	2
4	$\phi 32$ steel tube	1
5	Bolt M10*30	4