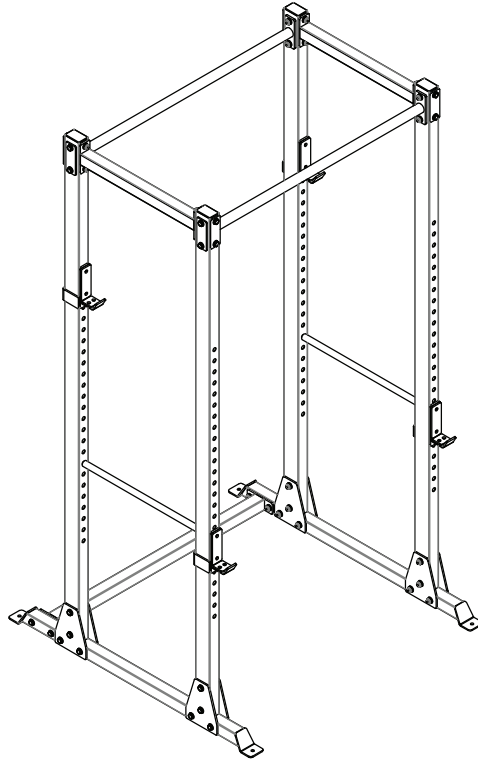


FRINGE SPORT

Assembly Instructions



POWER CAGE SQUAT RACK KIP CAGE

Tools Needed For Assembly:



2 Adjustable
Wrenches

OR



5/8"
2 Wrenches



11/6"
2 Wrenches

Assembly
Time:

50:00

50 Minutes

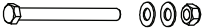
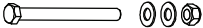
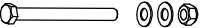

Assembly



▲
Easy

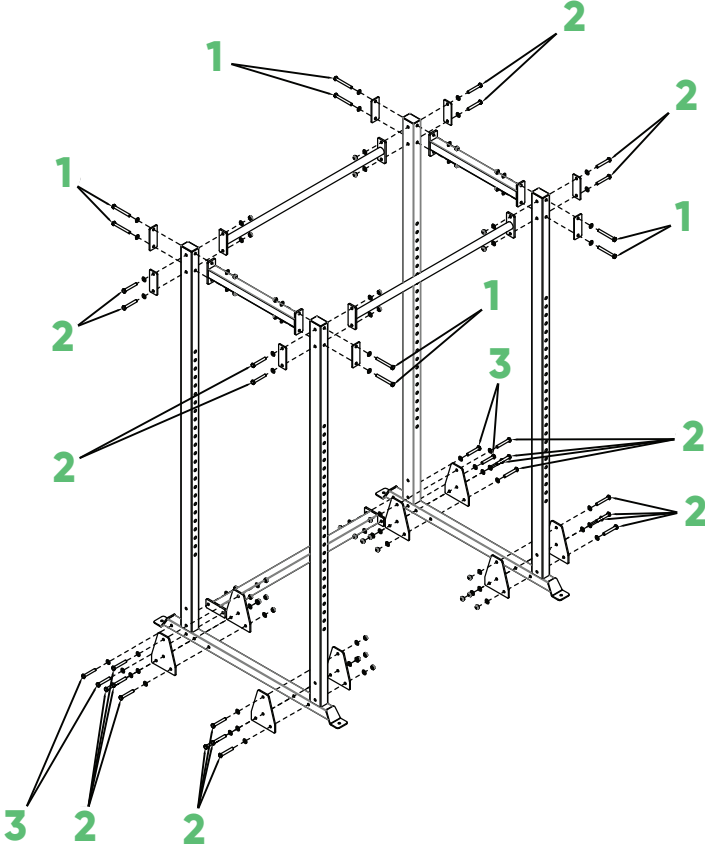
▲
Advanced

Parts List

1  M12 x 105 Bolt, Nut, Washer x8	2  M12 x 80 Bolt, Nut, Washer x24	3  M10 x 75 Bolt, Nut, Washer x4	4  M10 x 80 Bulgy Screw x4
---	---	--	--

Assembly Guide

1



2

