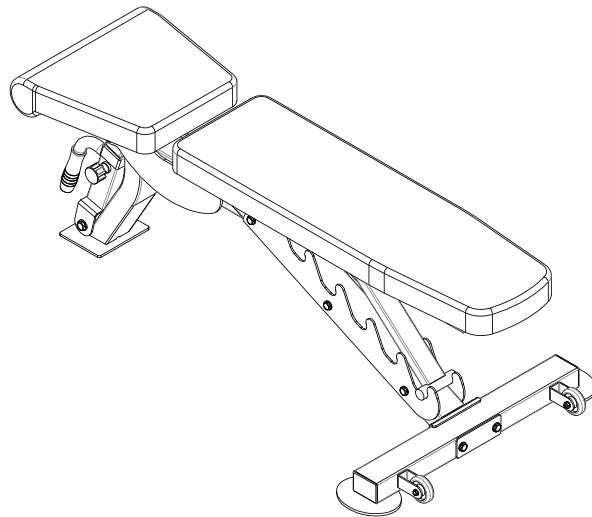


FRINGE SPORT

Assembly Instructions



FLAT/INCLINE /DECLINE BENCH

Tools Needed For Assembly:



2 Adjustable Wrenches

OR



2 Adjustable Wrenches / Socket Wrench with 11/16" (18 mm)

&



2 Wrenches / Socket Wrench with 5/8" (16 mm)

Assembly Time:

35:00

35 Minutes

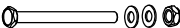

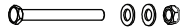

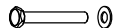
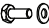



Assembly



▲
Easy

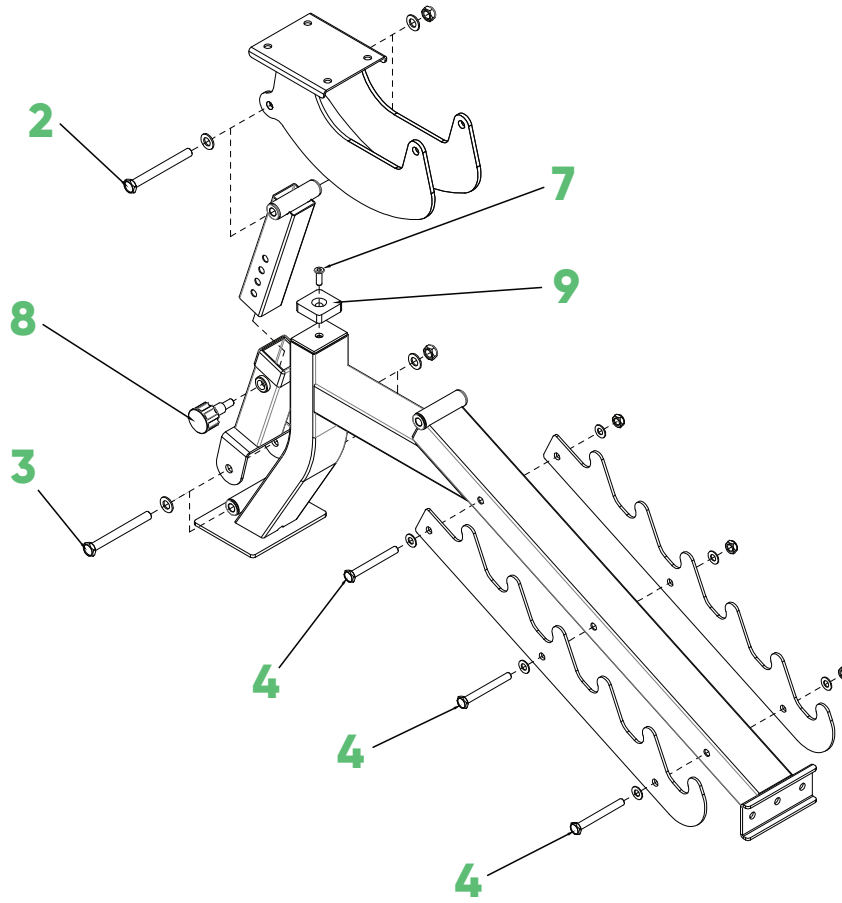
▲
Advanced

Parts

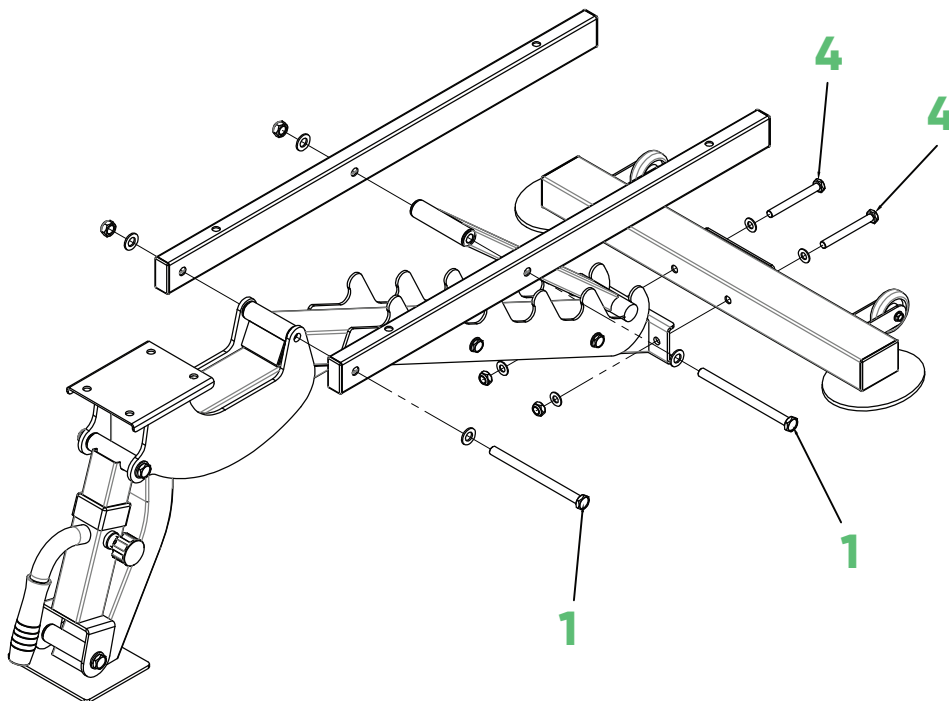
<p>1</p>  <p>M12 x 165 Bolt, Nut, Washer x2</p>	<p>2</p>  <p>M12 x 115 Bolt, Nut, Washer x1</p>	<p>3</p>  <p>M12 x 110 Bolt, Nut, Washer x1</p>	<p>4</p>  <p>M10 x 95 Bolt, Nut, Washer x5</p>	<p>5</p>  <p>M8 x 65 Bolt, Washer x5</p>
<p>6</p>  <p>M10 x 55 Bolt, Washer x4</p>	<p>7</p>  <p>M10 x 35 Bolt, Washer x1</p>	<p>8</p>  <p>Adjusting Popper Pin x1</p>	<p>9</p>  <p>Crash Pad x1</p>	

ASSEMBLY GUIDE

1



2



3

