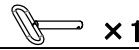
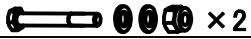


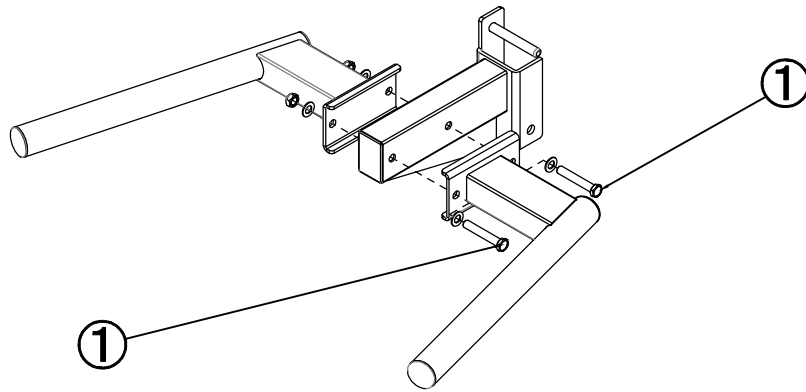
① M12 × 75 bolt, nut, washer

②  $\varnothing 3 \times 60$  elastic cotter pin

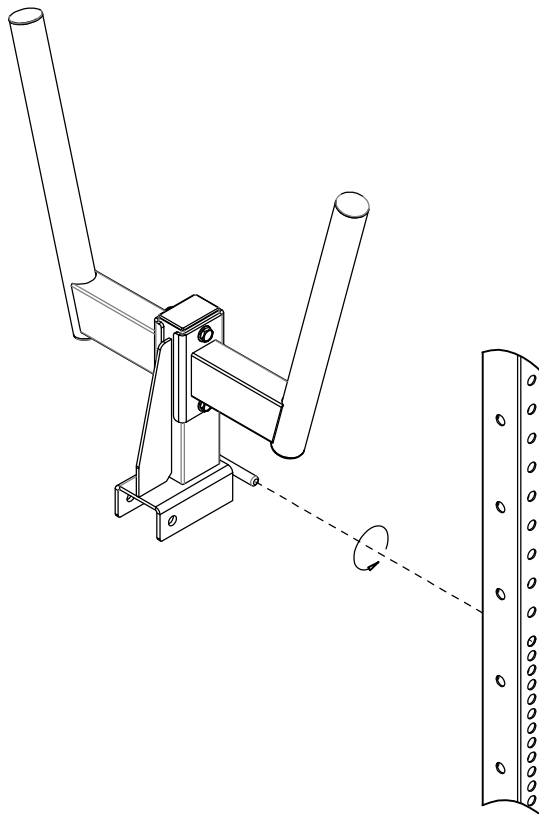
③ pin



1



2



(1)