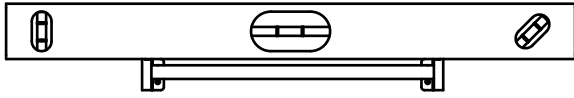
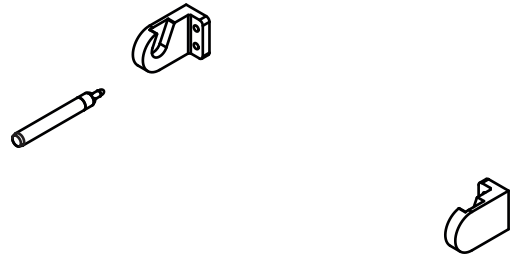


1



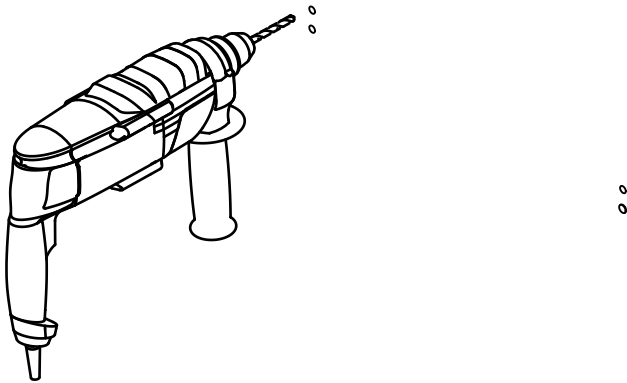
First, decide where you want to hang the paper roller. Take the two side pieces and place the tube in between. Place the setup against the wall at the desired location. Use a spirit level to check whether the setup is straight.

2



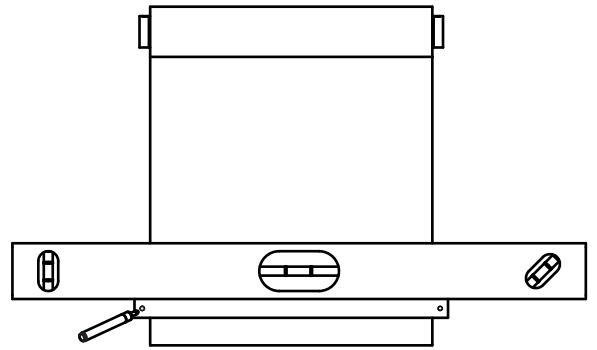
Hold one of the side pieces and mark where the screws will go into the wall. Do the same for the other side piece. Tip: use a pen refill when a regular pencil is too thick to mark the holes.

3



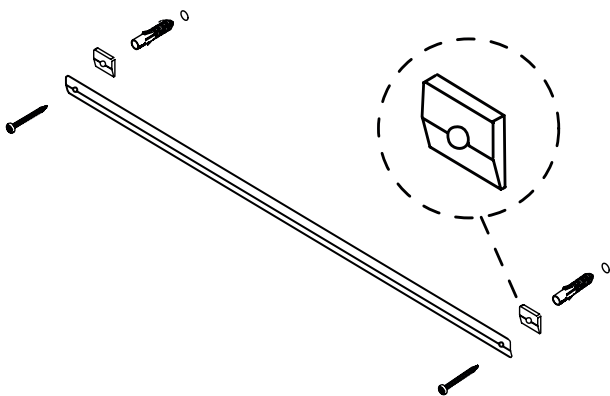
Drill holes in the wall at the marked spots and insert plugs. Grab one of the side pieces and screw it onto the wall. Do the same for the other side piece.

4



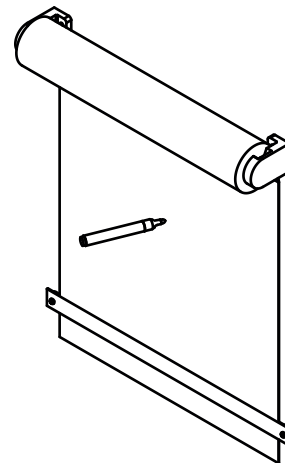
Slide the paper roll around the tube and place the roll in the containers. Pull the paper down the wall until it reaches the desired length. Place the aluminum strip against the wall. Use a spirit level and mark where the screws will go into the wall.

5



Drill holes in the wall at the marked spots and insert plugs. Place the plastic spacers (sharp side down) behind each opening and insert the screws. Tighten the screws.

6



Done! Please protect your wall and avoid bleed through by using water based markers instead of alcohol based markers. We recommend Posca pens. Have fun!