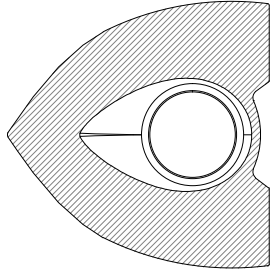
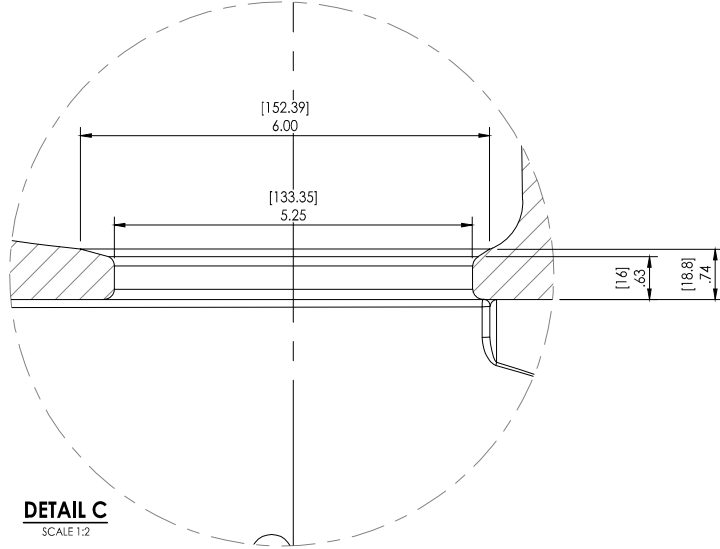


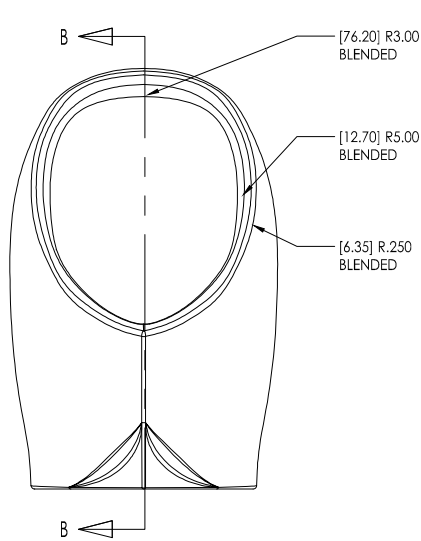
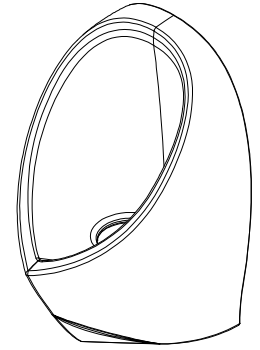
TOP VIEW



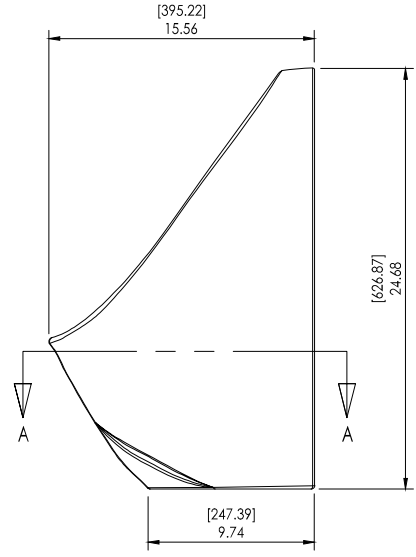
SECTION A-A



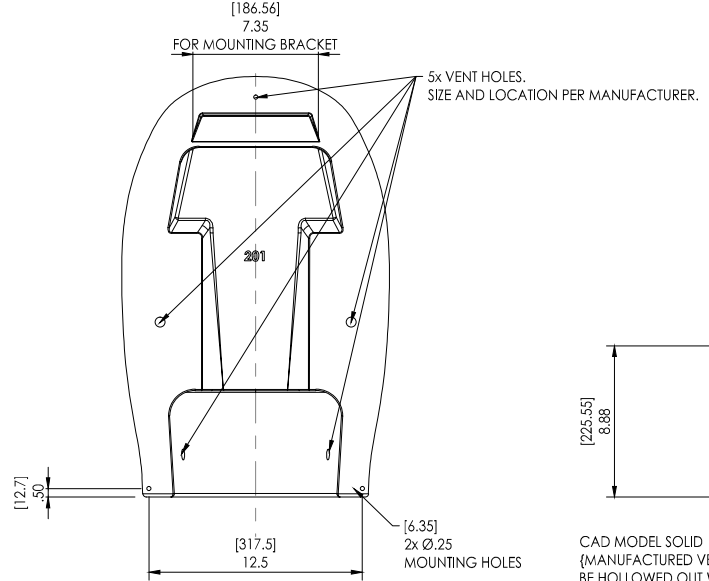
DETAIL C
SCALE 1:2



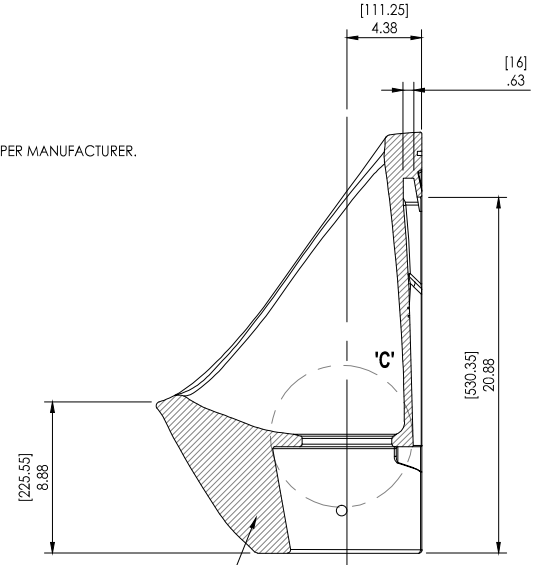
FRONT VIEW



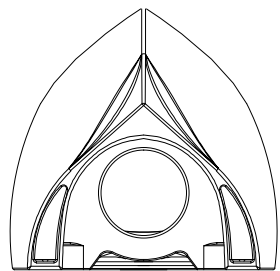
SIDE VIEW



BACK VIEW



SECTION B-B



BOTTOM VIEW

CAD MODEL SOLID
{MANUFACTURED VERSION TO
BE HOLLOWED OUT WITH .250"
NOMINAL WALL THICKNESS}

ZF 201 URINAL

ALL DIMENSIONS ARE FORMATTED in/[mm]