

MODEL	SUN672D CG6MB(WC)
SKU	21201
DESCRIPTION	72" 6-Blade DC Motor Fan
FINISH	Champagne Gold
BLADES	ABS Matte Black
DIMENSIONS	72"
LAMP INFO	18W 3000K LED
LOCATION	Damp Rated
WALL CONTROL	WC-SUN866

Finish Shown: Champagne Gold



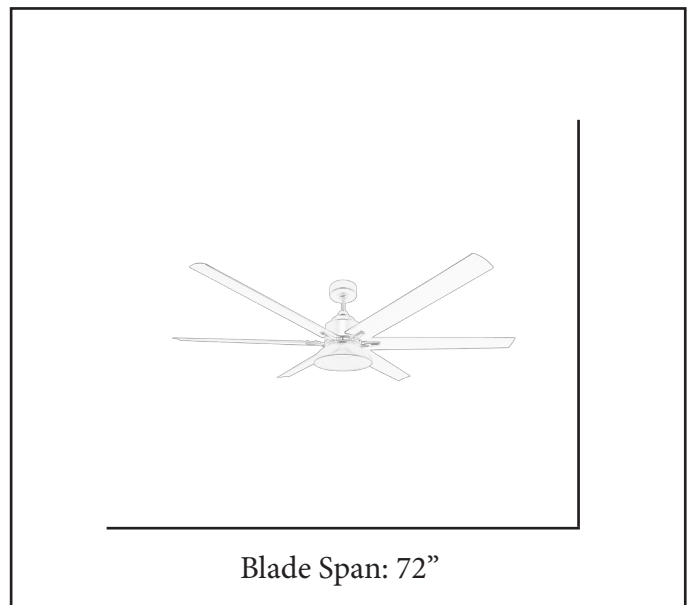
ELECTRICAL REQUIREMENTS: Fixture requires a grounded electrical supply line of 120 volts AC.

INSTALLATION REQUIREMENTS: Fixture attaches to electrical junction box securely anchored in wall or ceiling.

All mounting hardware included.

Product specifications subject to change without notice.

HOMEnhancements/ 1505-A Kelly Blvd., Carrollton, TX. 75006



REFERENCE	QUANTITY	REMARKS	PROJECT	
			LOCATION/TYPE	
			ARCHITECT	
			ENGINEER	
			CONTRACTOR	
			SUBMITTED BY	
			DATE	