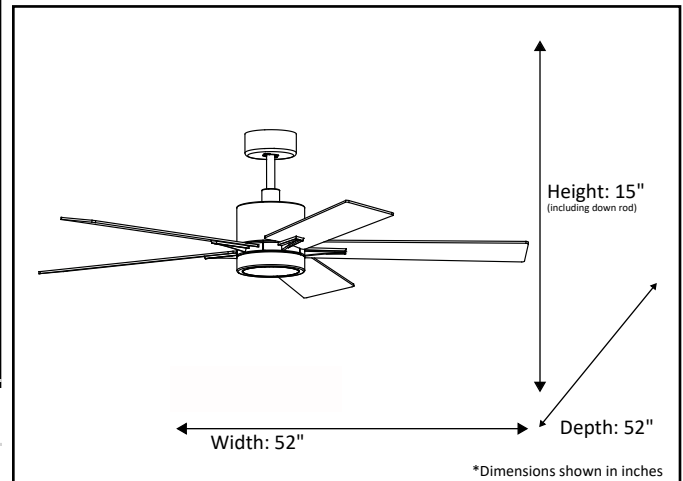


<b>Model #</b>	<b>SUN552 MB5MB/WL(WC-6-WH)</b>
SKU	20268
Metal Finish	Black
Blade Finish	Matte Black/Walnut
Glass Finish	White
Blade Span	52"
Motor Specs	153mm x 15mm
Wire Length (Shown in inches)	80"
Down Rod Included (Shown in inches)	6"
Blade Pitch	12
Speed	3
Forward/Reverse	Yes
Airflow (CFM High)	5768.1
Power Use (Watts)	60
Airflow Efficiency (CFM/Watt)	96.1
Light Kit Included	Yes
Lamp Info	Integrated LED
Location Use	Indoor Only
Wall Control	WC-6-WH

Finish/Glass Shown: Matte Black / White



**ELECTRICAL REQUIREMENTS:** Fixture requires a grounded electrical supply line of 120 volts AC.

**INSTALLATION REQUIREMENTS:** Fixture attaches to electrical junction box securely anchored in wall or ceiling.  
**All mounting hardware included.**

Vivio Lighting / 1503 Kelly Blvd., Carrollton, TX. 75006

*Product specifications subject to change without notice.*

REFERENCE	QTY.	REMARKS	Project
			Location/Type
			Architect
			Engineer
			Contractor
			Submitted By: _____ Date: _____