



BACKFIRE

G3 PLUS

User Guide



WARNING



RISK OF DEATH OR SERIOUS INJURY

Whenever you ride a board, you risk death or serious injury from loss of control, collision, and falls. To ride safely, you must read and follow the instructions and warnings in the manual.

Always wear a helmet when riding. Avoid water, wet surfaces, slippery / uneven surfaces, steep hills, traffic, cracks, tracks, gravel, rocks, or any obstacles that could cause a loss of traction and cause a fall. Avoid night riding, areas with poor visibility, and small spaces.

Warning: Do not ride on side-hills or on an incline of more than 10 degrees. Do not ride at speed which you would not safely control the board. In case of wireless interface or battery error, you may need to rely on skating techniques like foot braking or sliding to stop.



WARNING: AVOID WATER!

Your board is not waterproof, it is water resistant only. Water damage is not covered under warranty.



WARNING: PINCH POINTS!

Keep fingers, hair, and clothing away from belts, motors, wheels, and all moving parts.



WARNING: RISK OF ELECTRONIC SHOCK!

Do not open or tamper with electronics housing, which also voids the warranty.

INTRODUCTION

Thank you for purchasing this board.
It is a portable and eco-friendly transport unit with incredible fun.

The lightweight design and compact dimensions make it
a perfect city last mile vehicle.

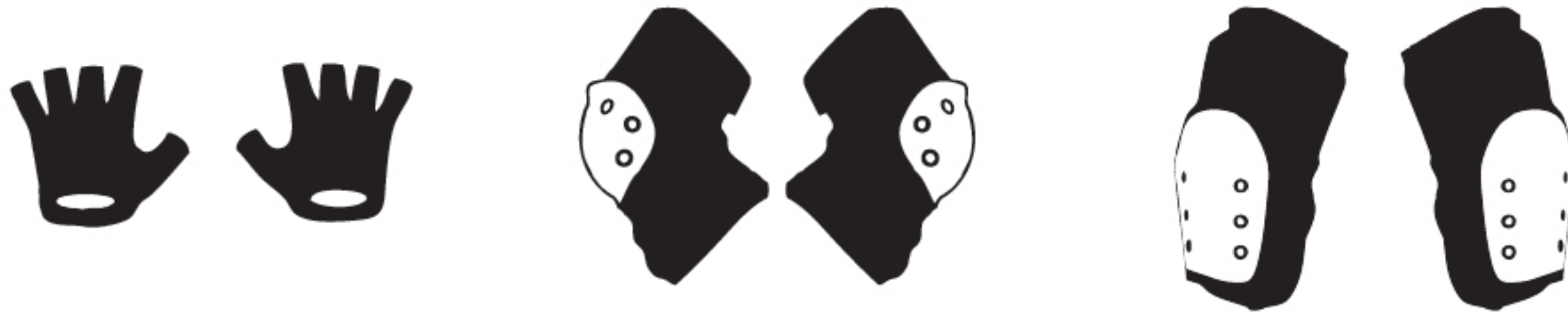
It allows you to travel up to 20–25 mi / 32–40 km,
with an exciting 28.5 mph / 46 kmh top speed.

Equipped with advanced braking system,
it brings the safety of riders and other people.

Enjoy your ride !

PROTECT

- **ALWAYS WEAR A HELMET**
- Find an open, flat area with clean pavement for your first ride.
- Read the warning on the skateboard and at the beginning of this manual.
- **OTHER PROTECTIVE EQUIPMENT IS HIGHLY RECOMMENDED.**



STANCE

Follow these tips to ensure a safe riding experience:

- Move the Throttle Wheel in small increments.
- Keep a wide stance on the board.
- Keep a low center of gravity.
- Lean forward when accelerating.
- Lean backward when braking.

FEATURES



Four riding modes:

Turbo mode with top speed 28.5mph / 46kmh

Standard mode with top speed 23.6mph / 38 kmh

Economic mode with top speed 12.4 mph / 20 kmh

Cruise mode will travel at stable speed.



20% uphill capability:

Actual performance depends on rider's weight and road condition.



Quick charge:

Board charging time 3.5 hrs

Remote charging time 30 mins



Light weight construction:

Board net weight 16.0lbs / 7.3kg.

Thinnest point at 0.35 inch / 9mm

SPECIFICATION

BOARD

Deck Material: G3plus: Carbon Fiber
Deck Dimensions: 99*24cm / 39*9.3 inch
Wheel Material: PU
Wheel Size: 85 /96 mm
Battery Type: Li-ion
Battery Cell Quantity: 24 pcs
Battery Charging Time: 3.5 hours
Motor Type: Brushless Direct Current
Transmission Model: In-wheel motor driving system
Board Weight: 16.0lbs / 7.3kg

REMOTE

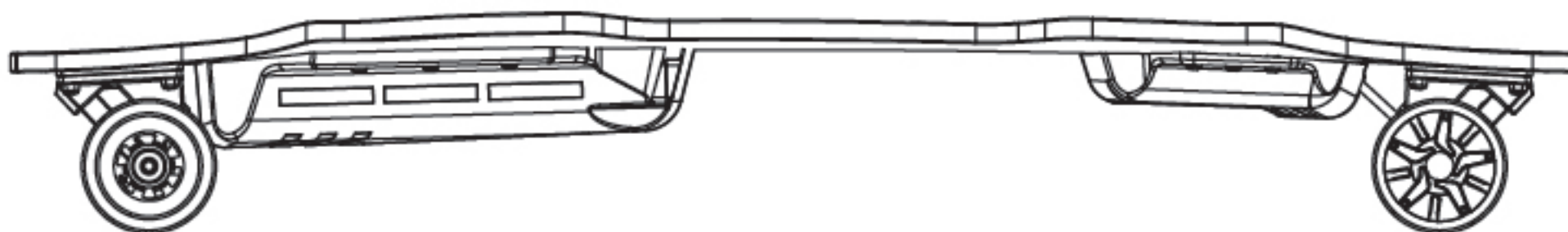
Material: ABS Plastic , with OLED display
Weight: 60g
Battery Type: Lithium
Wireless Connection: 2.4GHz
Charging Voltage: 5V
Battery Charging Time: 30 minutes

PERFORMANCE

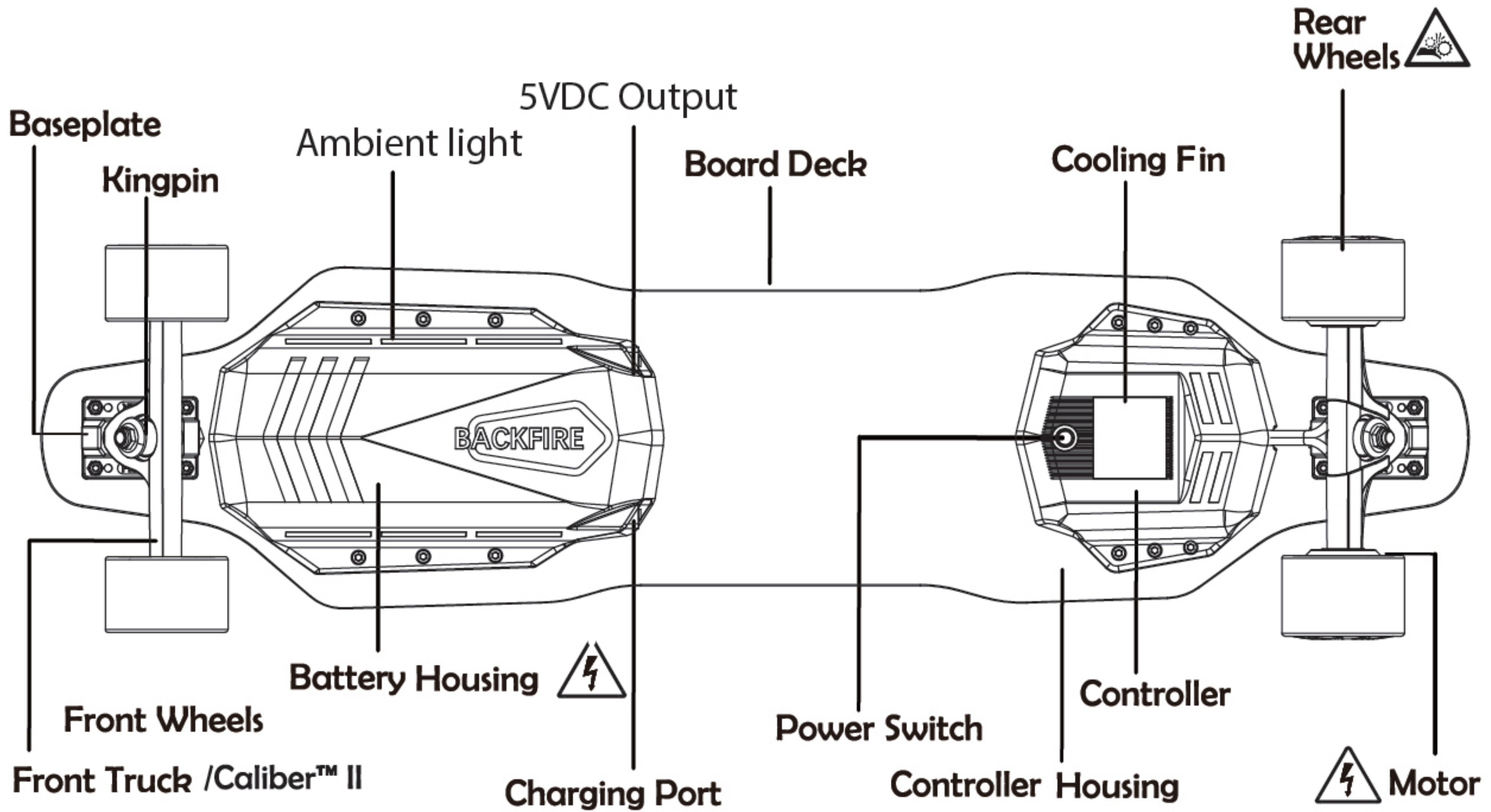
Max. User Weight: G3plus: 90 kg
Max. Range: 20-25 mi / 32-40 km
High Speed Mode Max.: 23.6 mph / 38 kmh
Economic Mode Max.: 12.4 mph / 20 kmh

CHARGER

Input: AC 100-240V / 50-60HZ / 3.0A Max.
Output: 50.4 V / 2.5A
Charge Indicator: Red when charging /
Green when charged



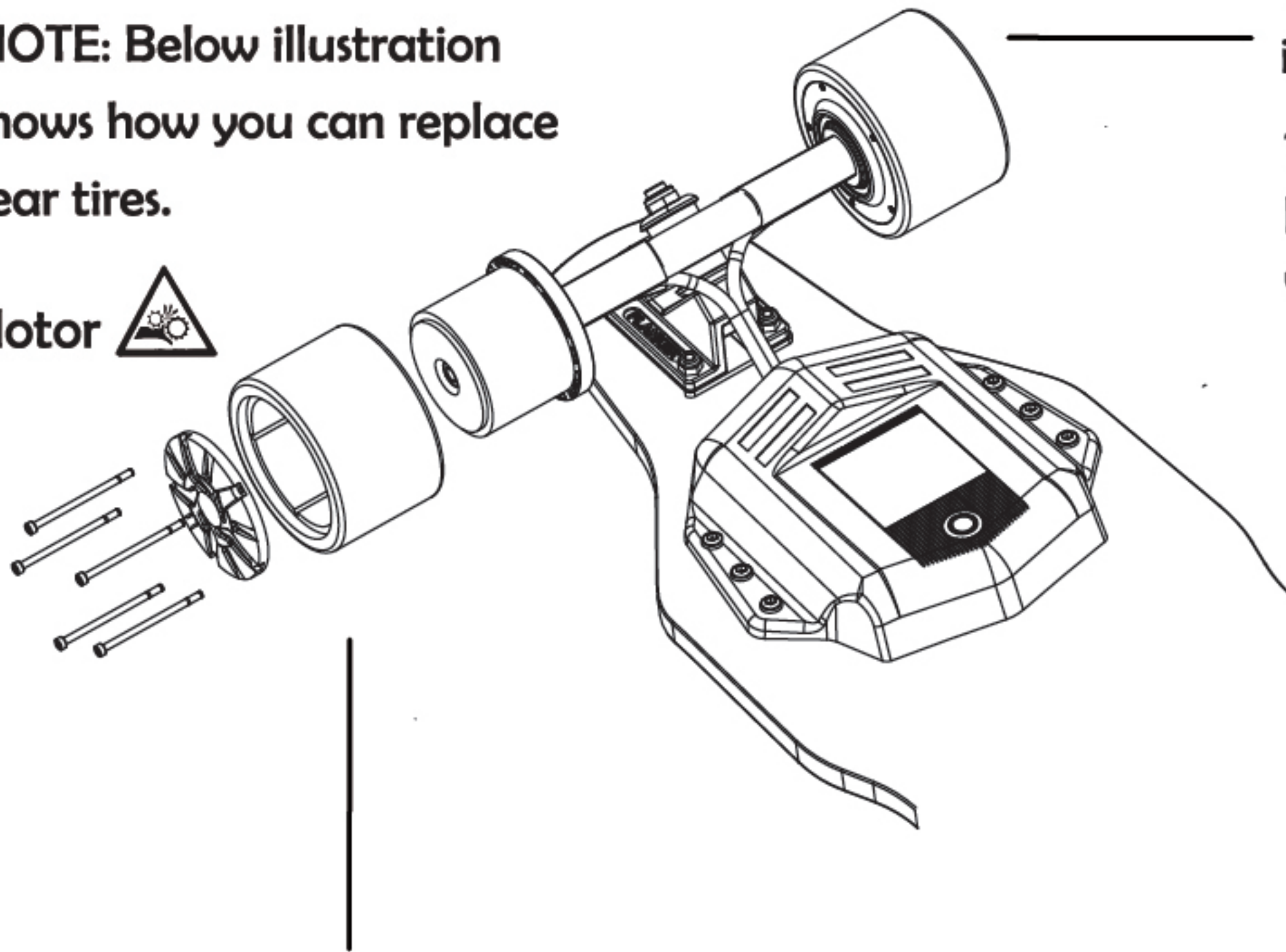
BOARD GLOSSARY



DRIVING PARTS GLOSSARY

NOTE: Below illustration shows how you can replace rear tires.

Motor

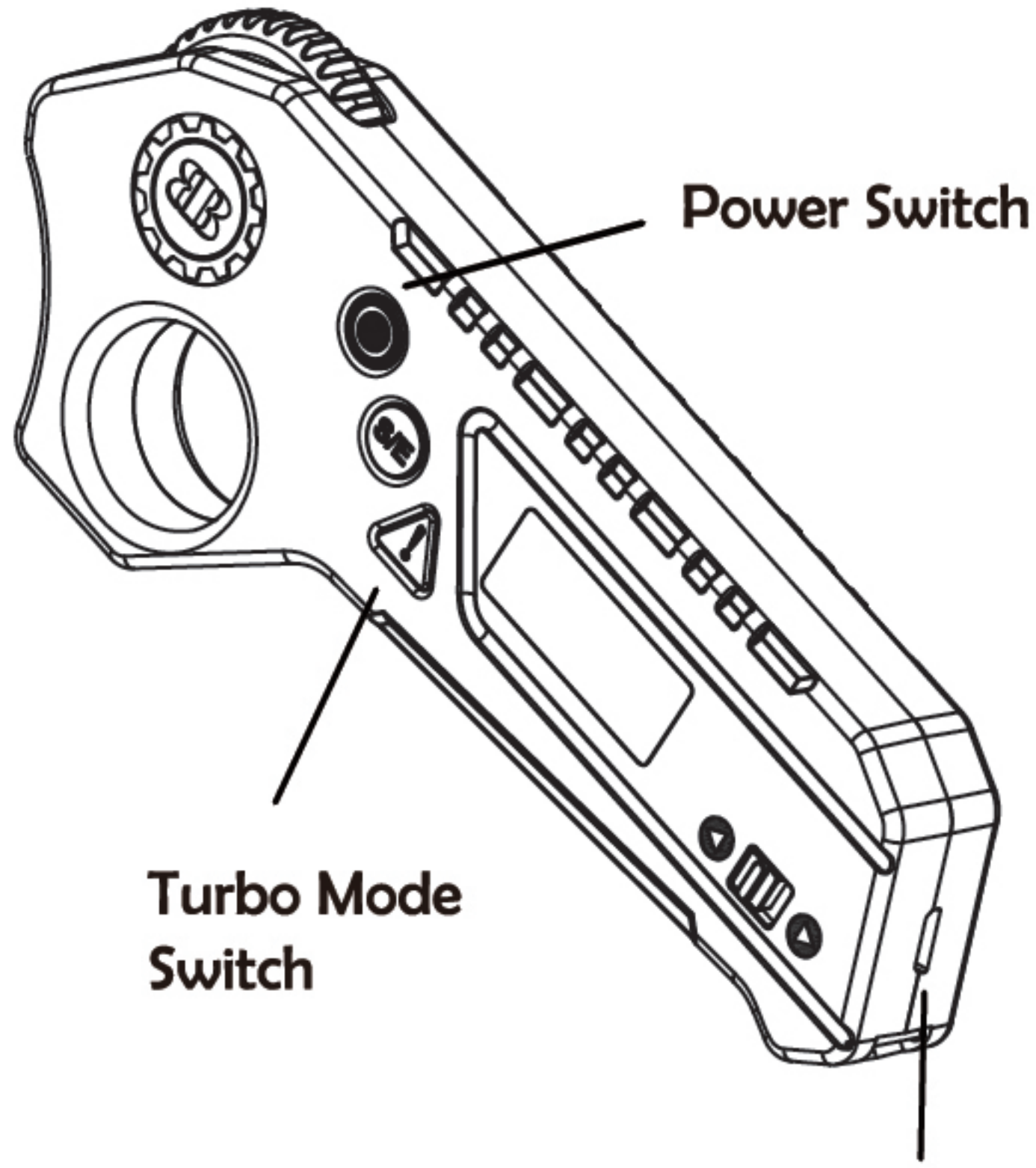


The motor and the tires are independently replaceable.

The motor is compatible with both 85mm wheels and 96mm wheels.

275mm wide wheel span provides extra stability at high speed riding

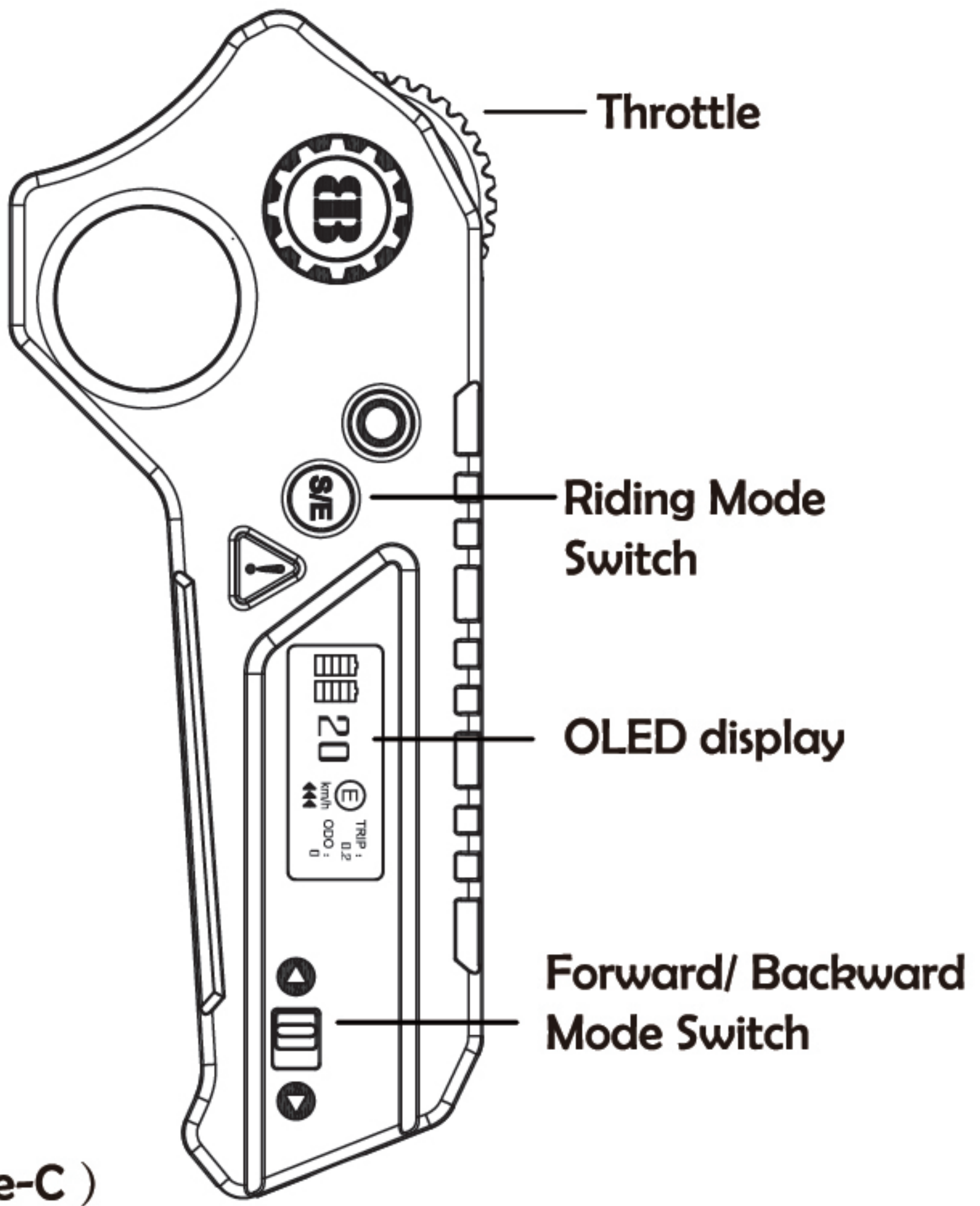
REMOTE GLOSSARY



Power Switch

Turbo Mode Switch

Remote Charging Port (USB Type-C)



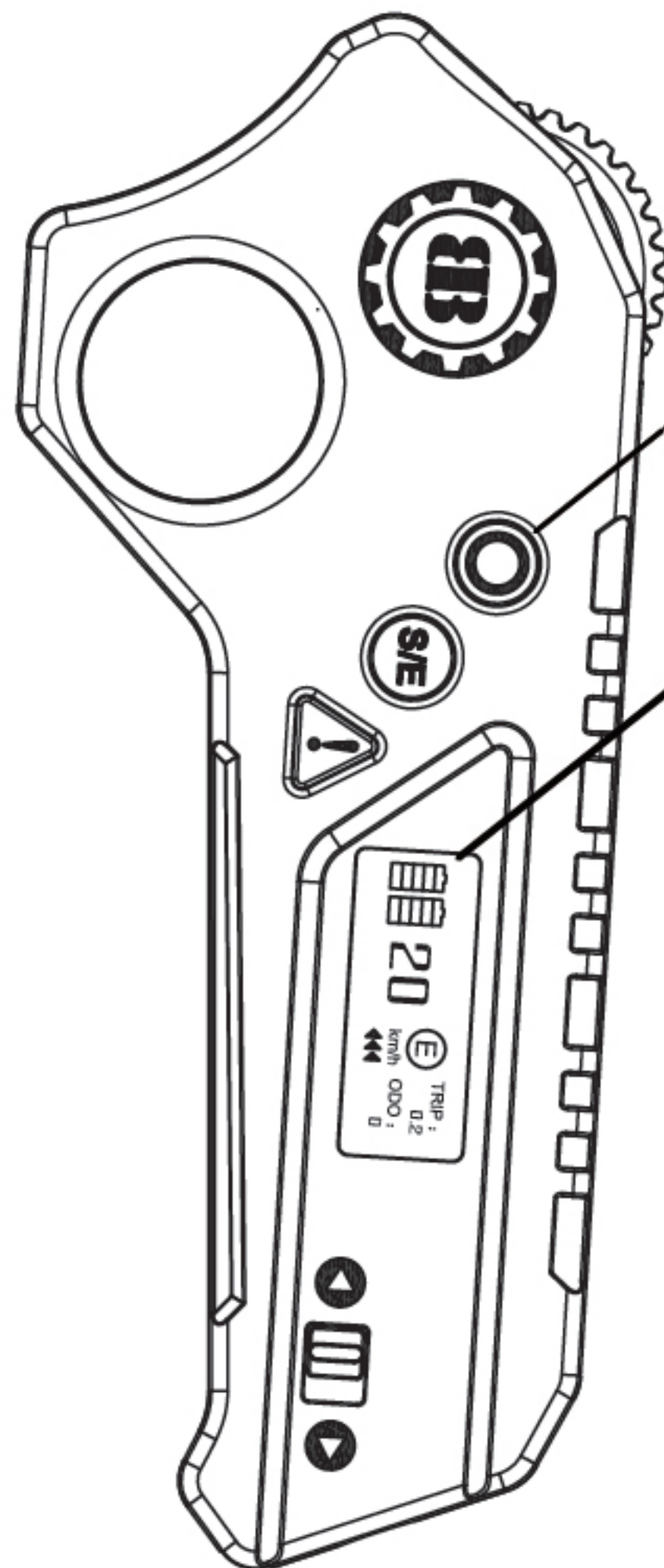
Throttle

Riding Mode Switch

OLED display

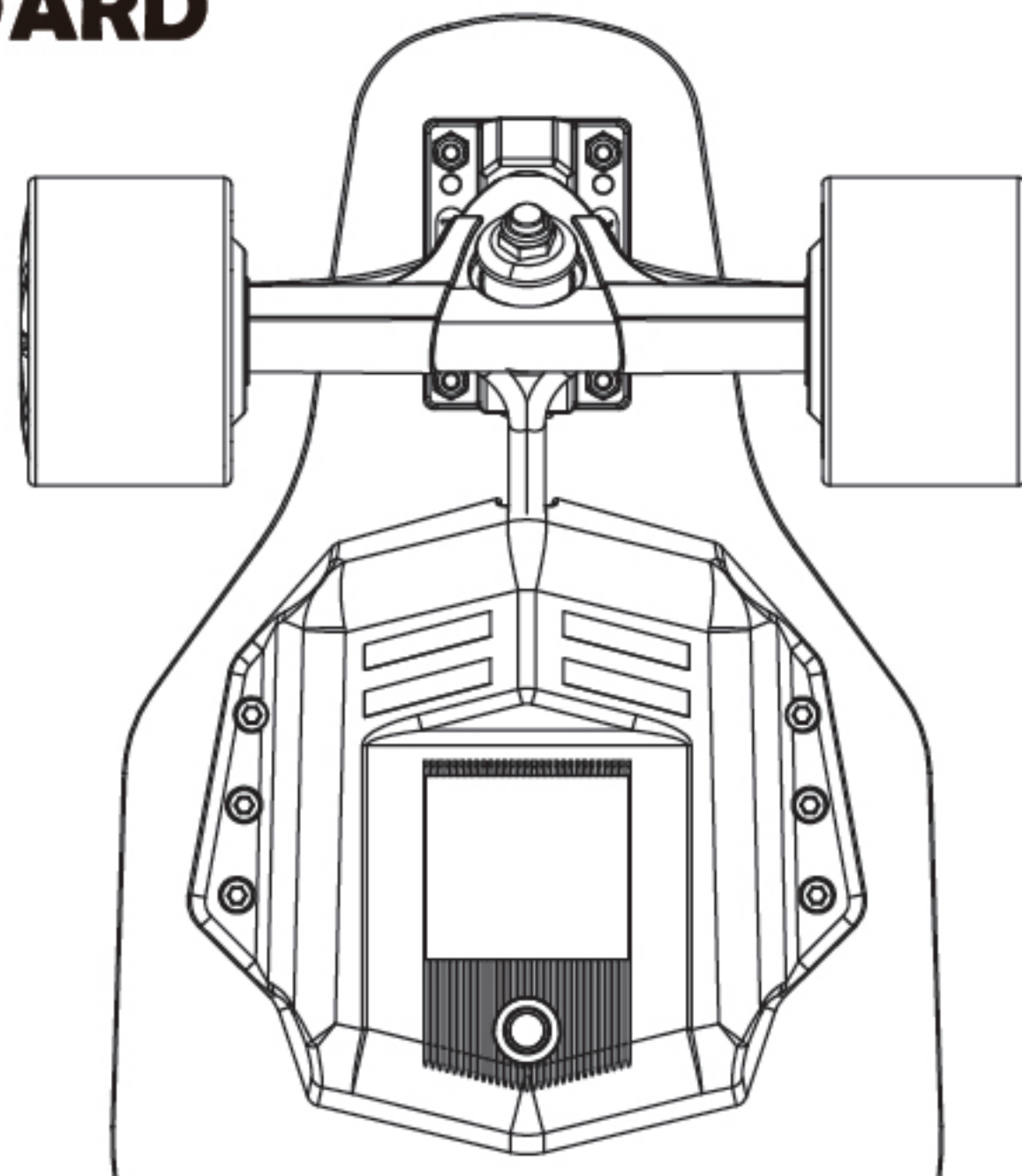
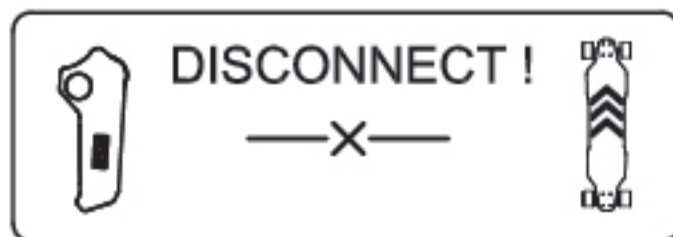
Forward/ Backward Mode Switch

POWER ON/OFF THE REMOTE AND BOARD



Press power switch for **1** second

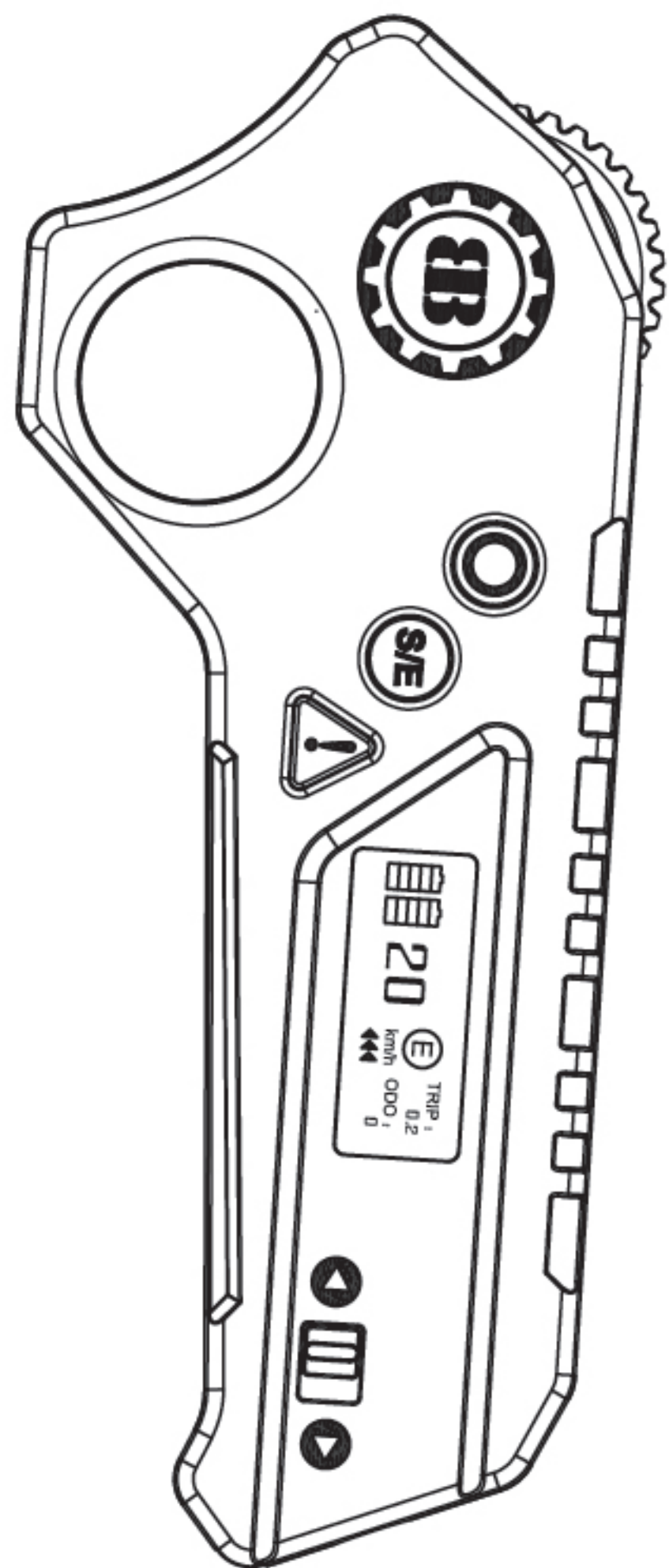
Oled display



The board is not turned on, or not paired with the remote;

Press the power switch of the board, the board indicator will be turned on, and the remote will show speed, battery, mode and other information

CHECK THE REMOTE / BATTERY LIFE



20 Current speed in
ECONOMIC mode /
35 **SPORTS** mode



Remaining capacity of
the remote battery



Remaining capacity of
the board battery



Economic Mode



Sports Mode



Turbo Mode



Cruise In Economic Mode



Cruise In Sports Mode



TRIP :
1.5

DST TRIP DISTANCE

ODO :
12.5



Odometer

Economic mode

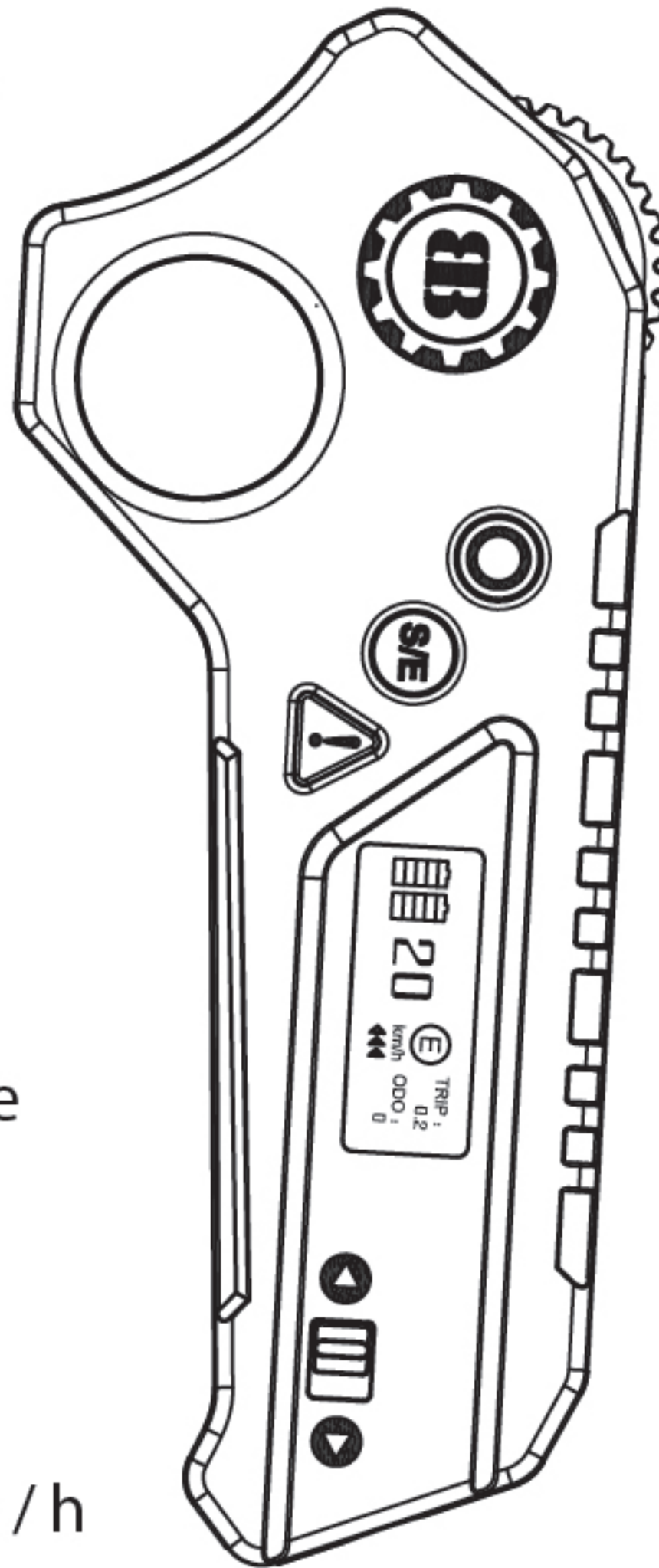
Press , it will enter the economic mode, remote will show 

In economic mode, the top speed is 12.4mph / 20km/h


Sports mode

Press , it will enter the sports mode, remote will show 


In sports mode, the top speed is 23.6 mph / 38km / h



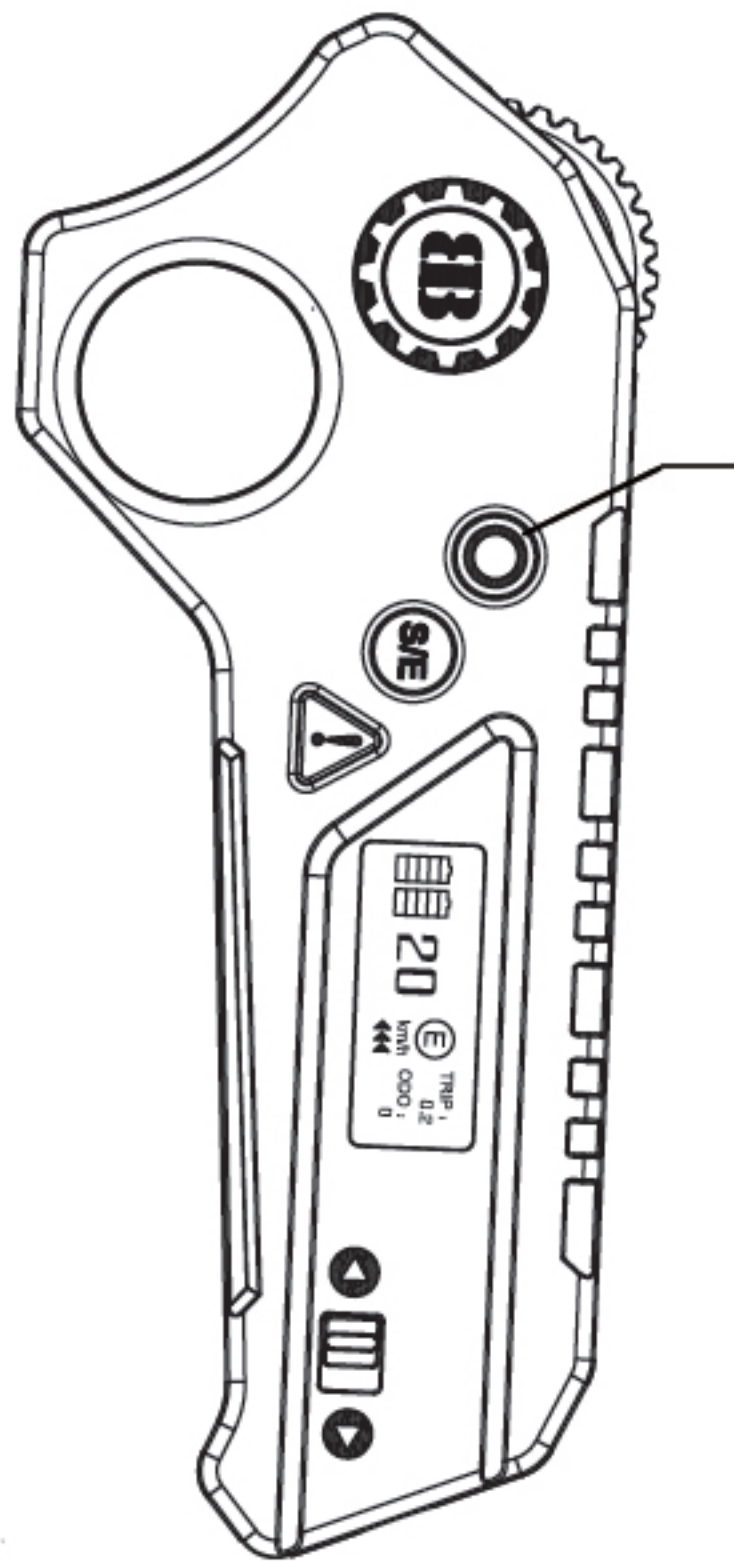
Cruise mode

During the riding, pressing  to enter the cruise mode, the board will travel at stable speed. Pull the throttle to exit cruise mode

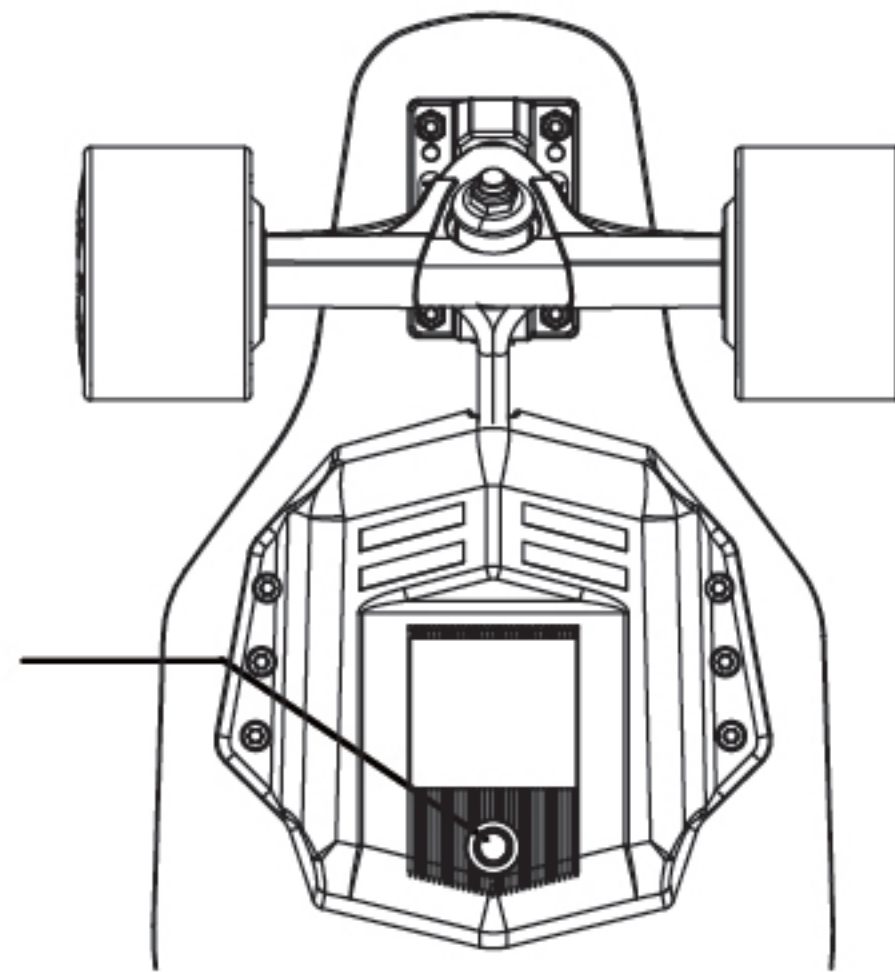
Turbo mode

Press “  ” to enter the turbo mode, it will get 20% more power during acceleration, In turbo mode, the top speed is 28.5 mph / 46 km/h

Connecting & Binding





Press power switch for 5 seconds



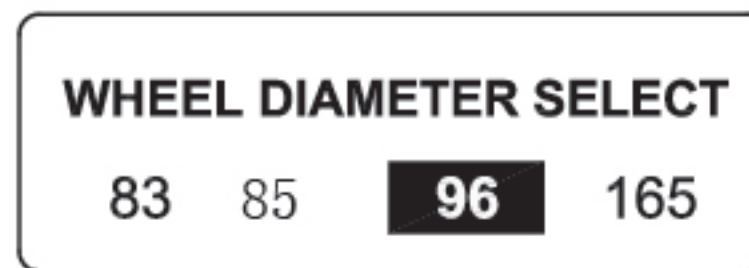
1. Press the power switch of the remote and the board at the same time, and hold it for 5 seconds.

2. The remote enters the settings interface.

3. Press  to switch between "km/h" and "phm/mile", then press  to select.

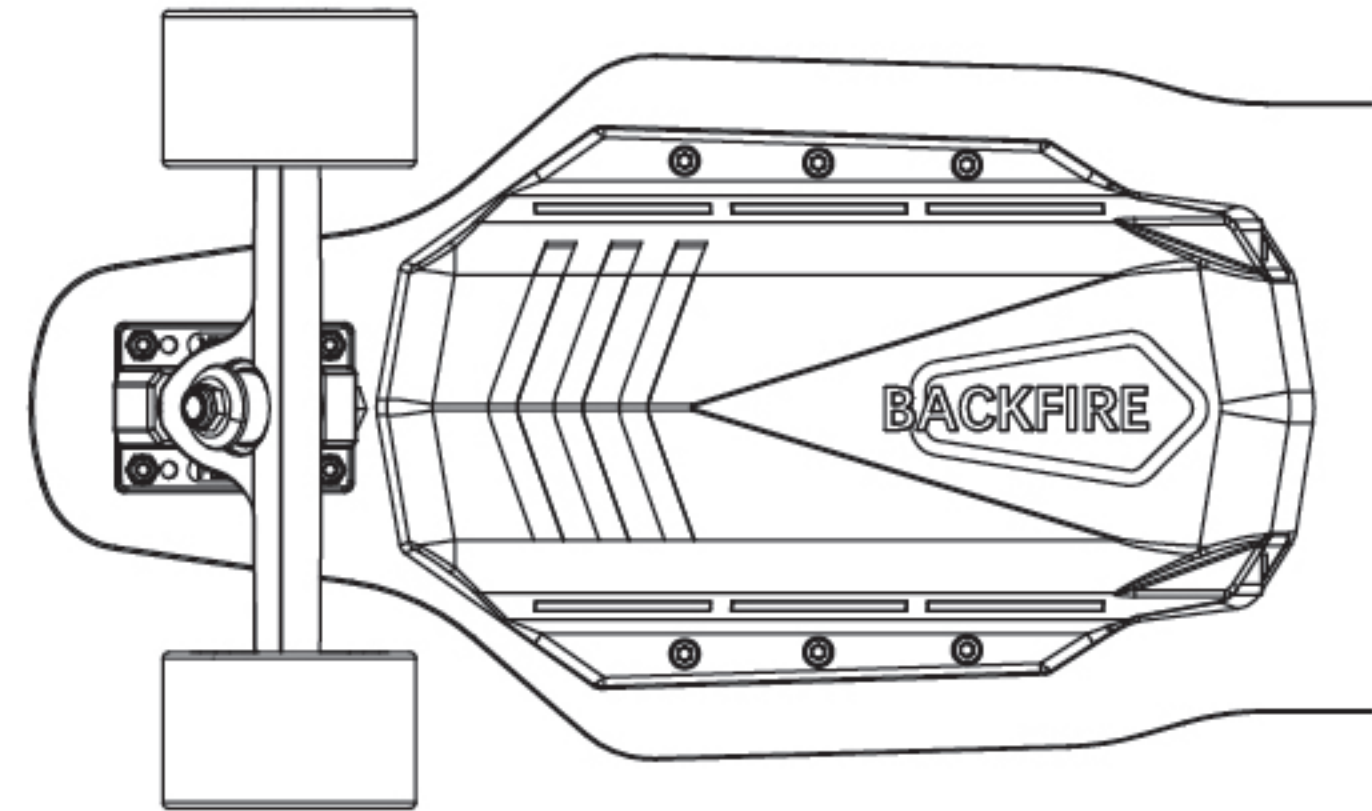
4. Continue to press  to switch between "85" "96" and "165", then press  to select. (It depends on the diameter of the wheels)

5. When the remote displays information such as battery, speed, mode and range, that means the binding succeed.

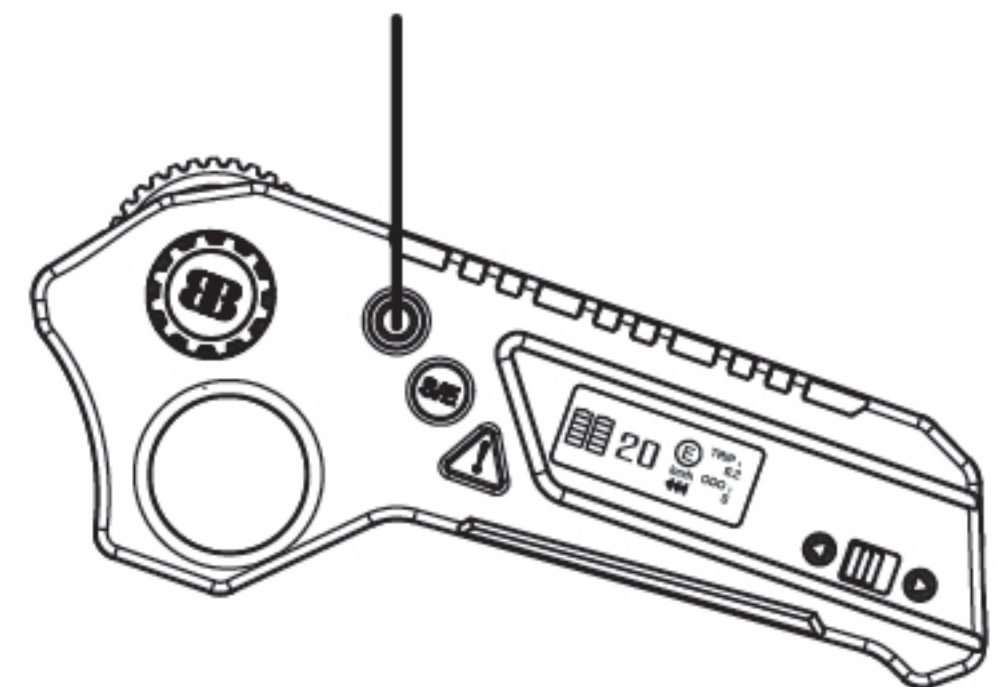


POWER ON/OFF THE AMBIENT LIGHT

1. First, turn on the board and remote control.
2. Quickly double-click the power button on the remote control to turn on the ambient light, which will start slow flashing.
3. In E/S mode, the ambient light will keep slow flashing.
4. After pressing the turbo button and entering the Turbo mode, the ambient light will change to fast flashing.
5. You can also skip step 2 and 3 and enter the Turbo mode directly. The ambient light will turn on automatically.
6. In E/S mode, double-click the power button on the remote control again to turn off the ambient light. Note: In Turbo mode, it cannot be turned off. You need to downshift to S/E mode and then turn it off.
7. After the remote control is turned off, the ambient light will automatically turn off after 5S.



Power Button



OPERATE THE BOARD WITH THE REMOTE

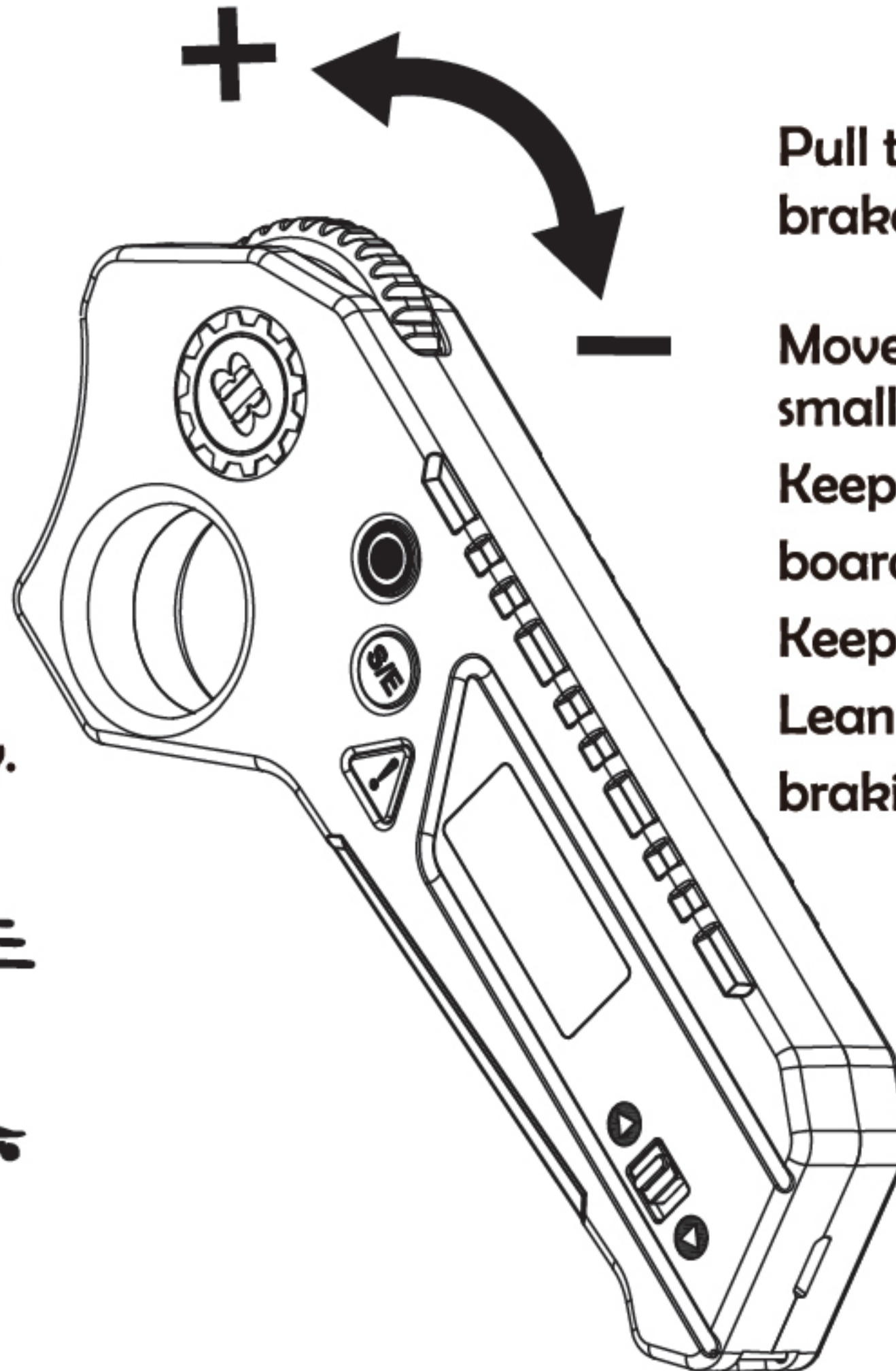
Push the throttle forward to accelerate.

Move the Throttle Wheel in small increments.

Keep a wide stance on the board.

Keep a low center of gravity.

Lean forward when accelerating.



Pull the throttle backward to brake.

Move the Throttle Wheel in small increments.

Keep a wide stance on the board.

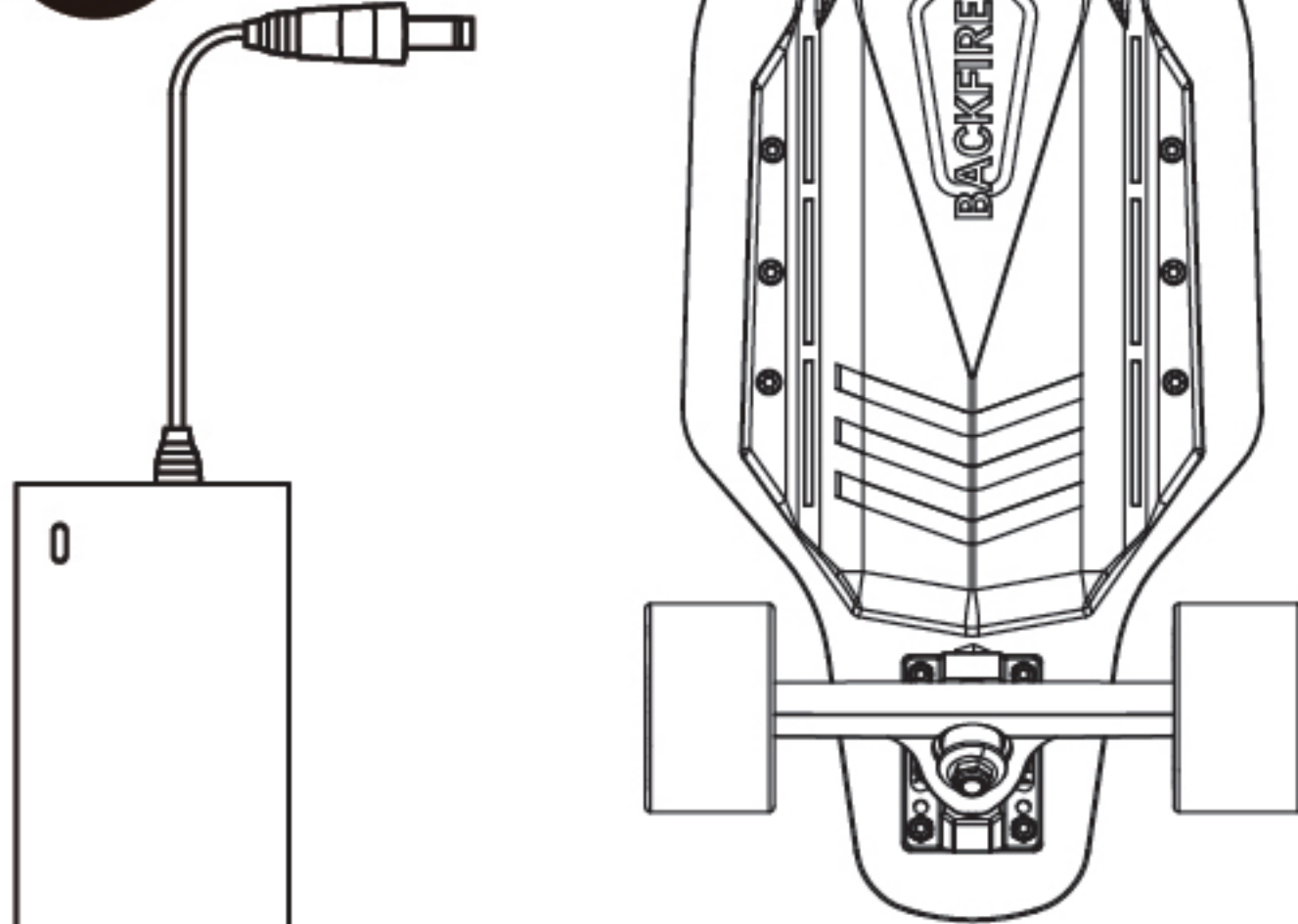
Keep a low center of gravity.

Lean backward when braking.



CHARGE THE REMOTE / BOARD

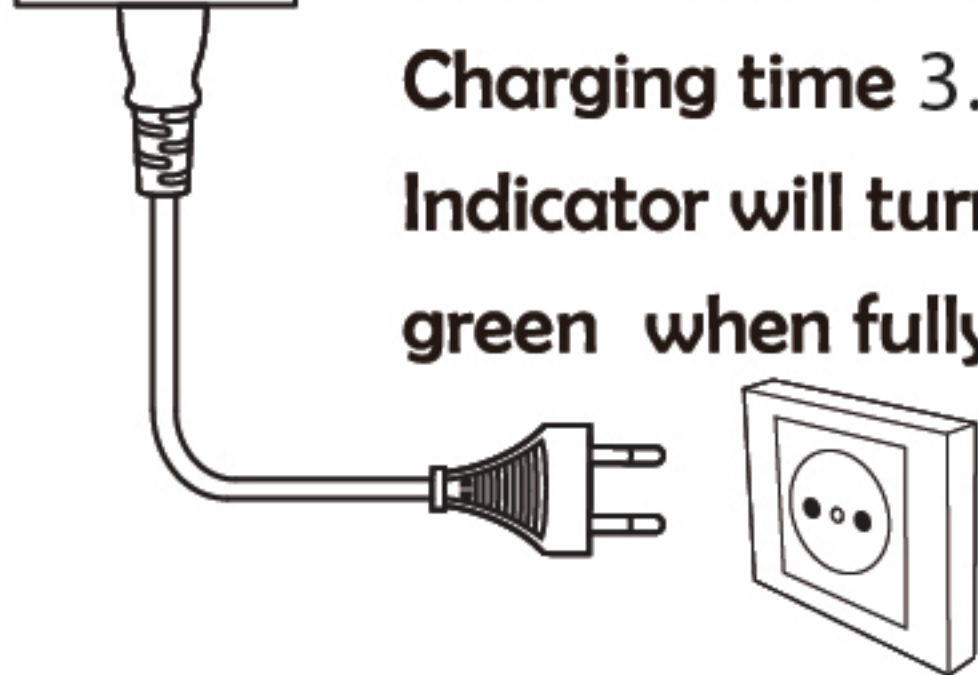
 3.5hrs



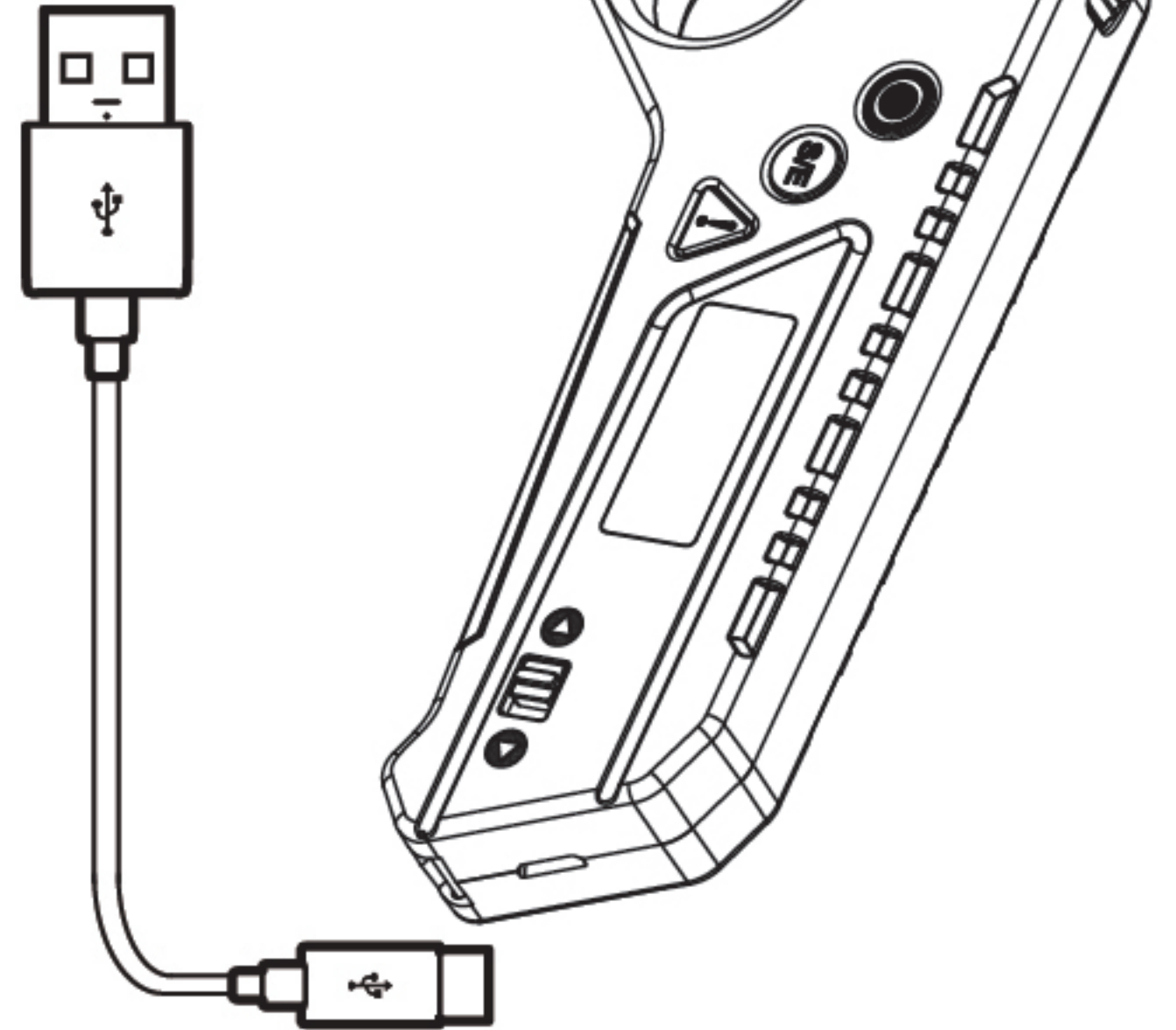
WARNING: Never leave board unattended while charging.

Charging time 3.5 hours.

Indicator will turn from red to green when fully charged.



USB

 30mins

Remote charge time 30 minutes.

Indicator will turn from red to green when fully charged.

RIDING OUTSIDE OF YOUR PRIVATE PROPERTY

Abide by the laws and regulations in your state or country.

Respect other drivers and pedestrians on the road.

Avoid riding in busy traffics and crowded areas.

Do not park your board in a way that blocks people or traffic, or may create a safety issue.

Cross road at designated crosswalks or signaled intersections.

When riding with other riders, keep a safe distance from each other and other transport devices.

Identify and keep a safe distance from hazards and obstacles on the road.

Do not ride your board on private property unless you have obtained permission.

STORAGE AND MAINTAINANCE

Do frequent maintainance checks, make sure all screws are tight before riding.

Clean the bearings regularly.

Turn off board and controller when not in use.

Recharge the battery in well ventilated area.

Do not charge the battery in area with might wet the board or charging units.

Do not leave the board charging unattended.

Stop using the product or charging unit if any wire is damaged.

Only use charging units supplied by us.

Do not use the board battery to power any other equipments.

BATTERY SAFETY

Lithium-ion battery can explode or cause a fire if they are used incorrectly. Therefore, it is recommended to read the following instructions very carefully:

- Each time before riding the board, carefully check the battery pack and especially the protective seal. Make it is undamaged and intact. If in doubt, take the battery to a chemical waste disposal facility.
- Never drop the board.
- Store the board with battery inside in a dry place.
- Never expose the battery to temperature above 100 celsius degrees.
- Only use official board charger for charging board battery.
- Never leave the board unattended when charging.
- Never make the board work when charging.
- If you are not planning to use the board for about **2** months or longer, Charge to 50%-60% and charge it once a month . A lithium-ion battery that has been left empty for too long no longer be charged.
- Charge fully the battery before first time use. This gives it better long-term performance.



Charge to 50%-60% and charge it once a month

WARRANTY

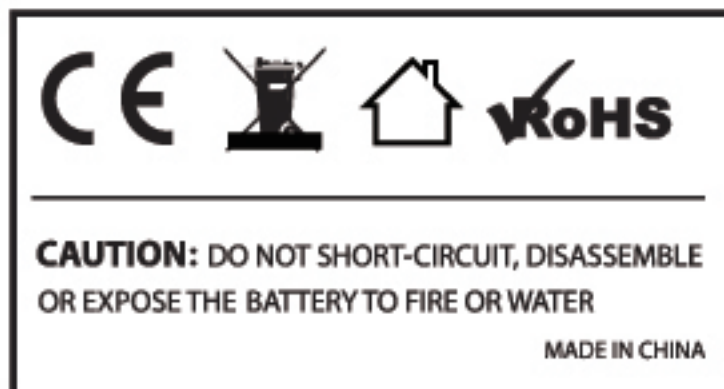
LIMITED WARRANTY:

- We offer 6 months (180 days) warranty on parts from the date when you receive the board.
 - If a defect arises during the Warranty Period, Company will , at its options :
 - 1) Send the new parts to replace the defect parts.
 - 2) Exchange the affected Products with functionally equivalent Products that are new or formed from new and/or previously used parts that are equivalent to new in performance and reliability.
 - This warranty excludes damage resulting from abuse, accident, modifications, unauthorized repairs, neglect, abuse, water damage, or other causes that are not defects in materials and workmanship.
 - This warranty excludes normal depletion of consumable parts (grip tape, wheels & bearings) unless due to a defect in materials or workmanship.
 - This warranty excludes gifts.
-

FOR ALL RETURN and WARRANTY SHIPPING:

Please keep your shipping box. The warranty does not include damage from shipping in insufficient packaging.

BACKFIRE



If you want to know about the BACKFIRE ,Please visit the website:
[Http://www.backfireboards.com](http://www.backfireboards.com)