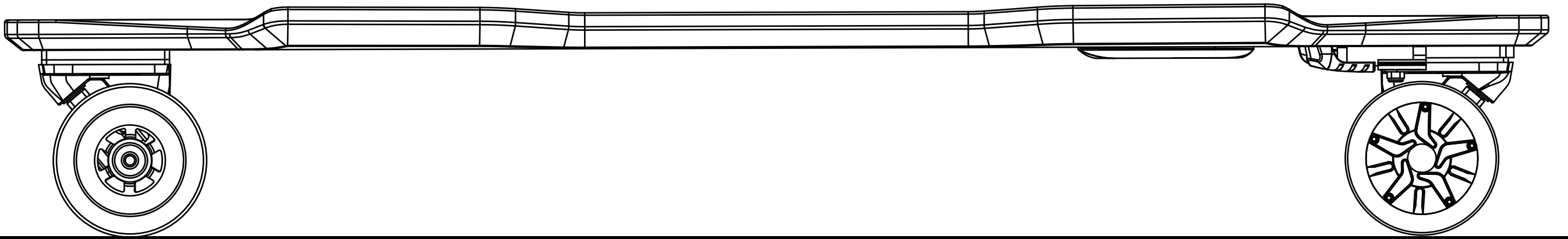




ERA User Guide

ZEN X NEBULA



B SKATE BOARDS SINCE 2009

BACKFIRE-ELECTRIC SKATEBOARDS

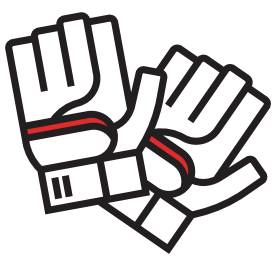
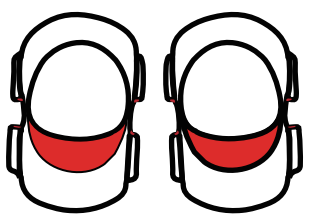
WARNING

- RISK OF DEATH OR SERIOUS INJURY
- Whenever you ride a board, you risk death or serious injury from loss of control, collision, and falls. To ride safely, you must read and follow the instructions and warnings in the manual.
- Always wear a helmet when riding. Avoid water, wet surfaces, slippery / uneven surfaces, steep hills, traffic, cracks, tracks, gravel, rocks, or any obstacles that could cause a loss of traction and cause a fall. Avoid night riding, areas with poor visibility, and small spaces.
- Warning: Do not ride on side-hills or on an incline of more than 10 degrees. Do not ride at speed which you would not safely control the board. In case of wireless interface or battery error, you may need to rely on skating techniques like foot braking or sliding to stop.
- WARNING: AVOID WATER!
Your board is not waterproof, it is water resistant only.
Water damage is not covered under warranty.
- WARNING: PINCH POINTS!
Keep fingers, hair, and clothing away from belts, motors, wheels, and all moving parts.
- WARNING: RISK OF ELECTRONIC SHOCK!
Do not open or tamper with electronics housing, which also voids the warranty.

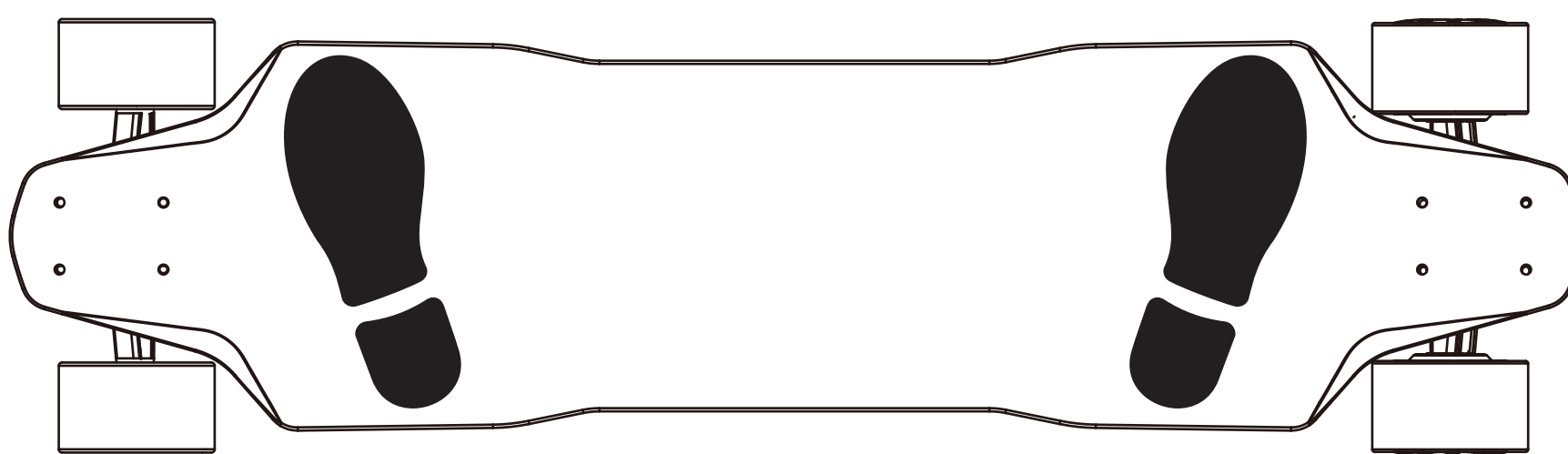




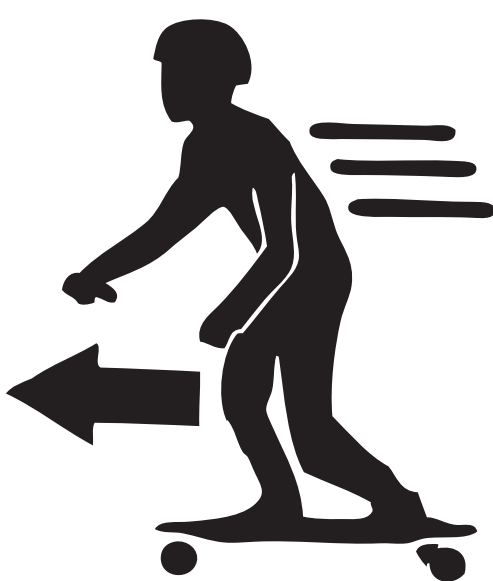
PROTECT



- ALWAYS WEAR A HELMET
- Find an open, flat area with clean pavement for your first ride.
- Follow these tips to ensure a safe riding experience:
 - Move the Throttle Wheel in small increments.
 - Keep a wide stance on the board.
 - Keep a low center of gravity.
 - Lean forward when accelerating.
 - Lean backward when braking.
 - Abide by the laws and regulations in your state or country.
 - Respect other drivers and pedestrians on the road.
 - Avoid riding in busy traffics and crowded areas.
 - Do not park your board in a way that blocks people or traffic, or may create a safety issue.
 - Cross road at designated crosswalks or signaled intersections.
 - When riding with other riders, keep a safe distance from each other and other transport devices.
 - Identify and keep a safe distance from hazards and obstacles on the road.
 - Do not ride your board on private property unless you have obtained permission.



Please stand according to the diagram



Lean forward when accelerating

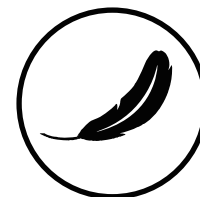
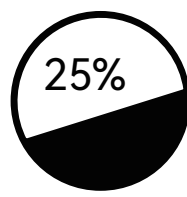
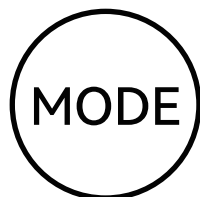


Lean backward when braking

SPECIFICATION

Model: ERA	Max. Range: 20KM	Top Speed: 42kmh
Max. User Weight: 110KG	Wheel Material: PU	Wheel Size: 90mm
Battery Charging Time: 3.5 hours	Truck: 7inch Aluminum alloy	Board Weight: 7.3KG
Motor Power: 650w * 2	Battery Capacity: 5.0AH 180WH	Deck Material: Canadian maple
Gear adjustment: E / S / T	Motor Type: Hub motors	Battery Type: Lithium

REMOTE: R5	Material: ABS Plastic	Battery Charging Time: 30 minutes
Battery Type: Lithium	Wireless Connection: 2.4GHz	Charging Voltage: 5V



Four riding modes:

Turbo mode with top Speed 26mph / 42kmh, Economic mode with top speed 11mph / 18kmh, Cruise mode will travel at stable speed, Turbo mode will add extra power during acceleration.

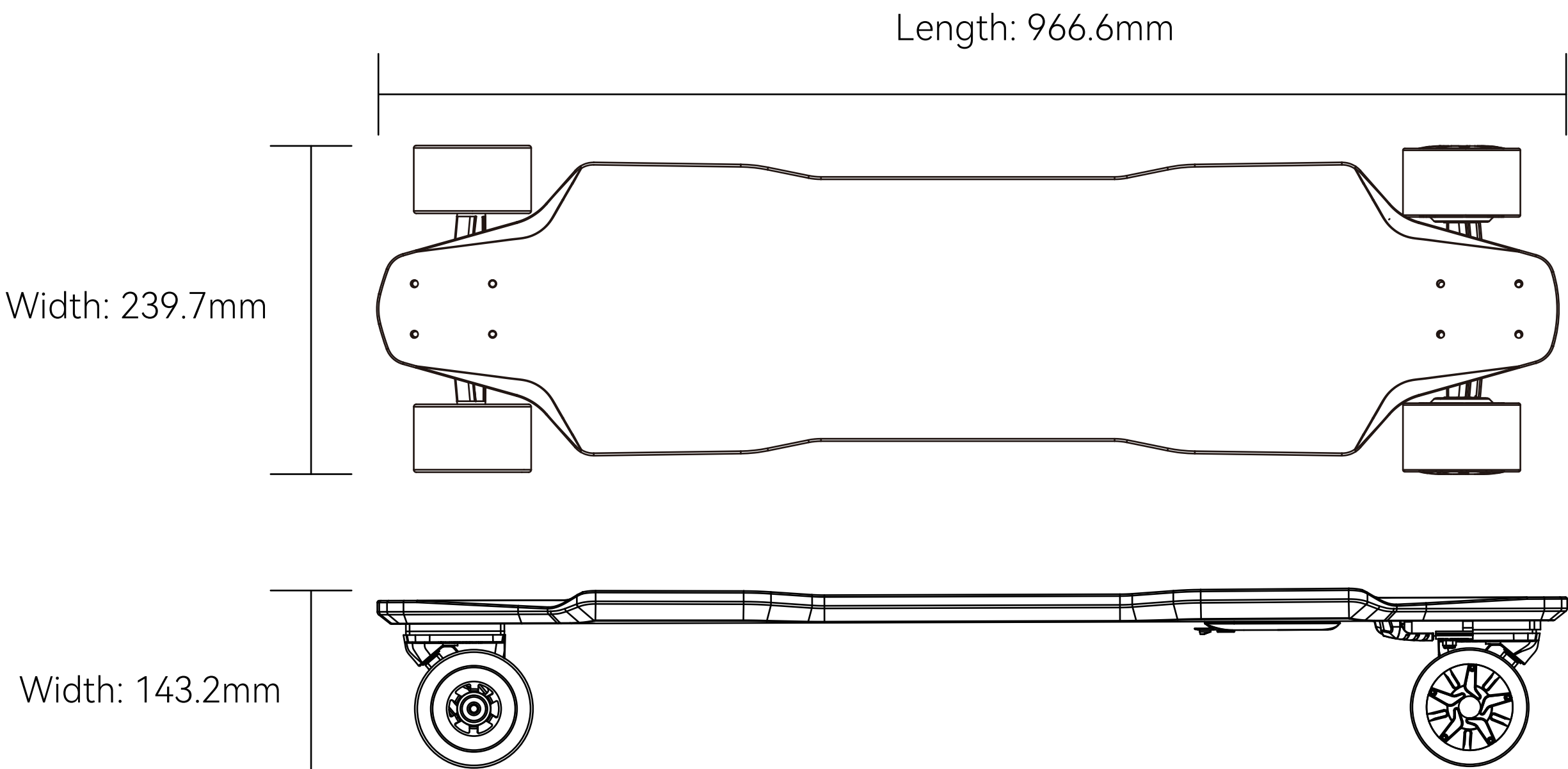
25% uphill capability:

Actual performance depends on rider's weight and road condition.

Board charging time 3.5 hours

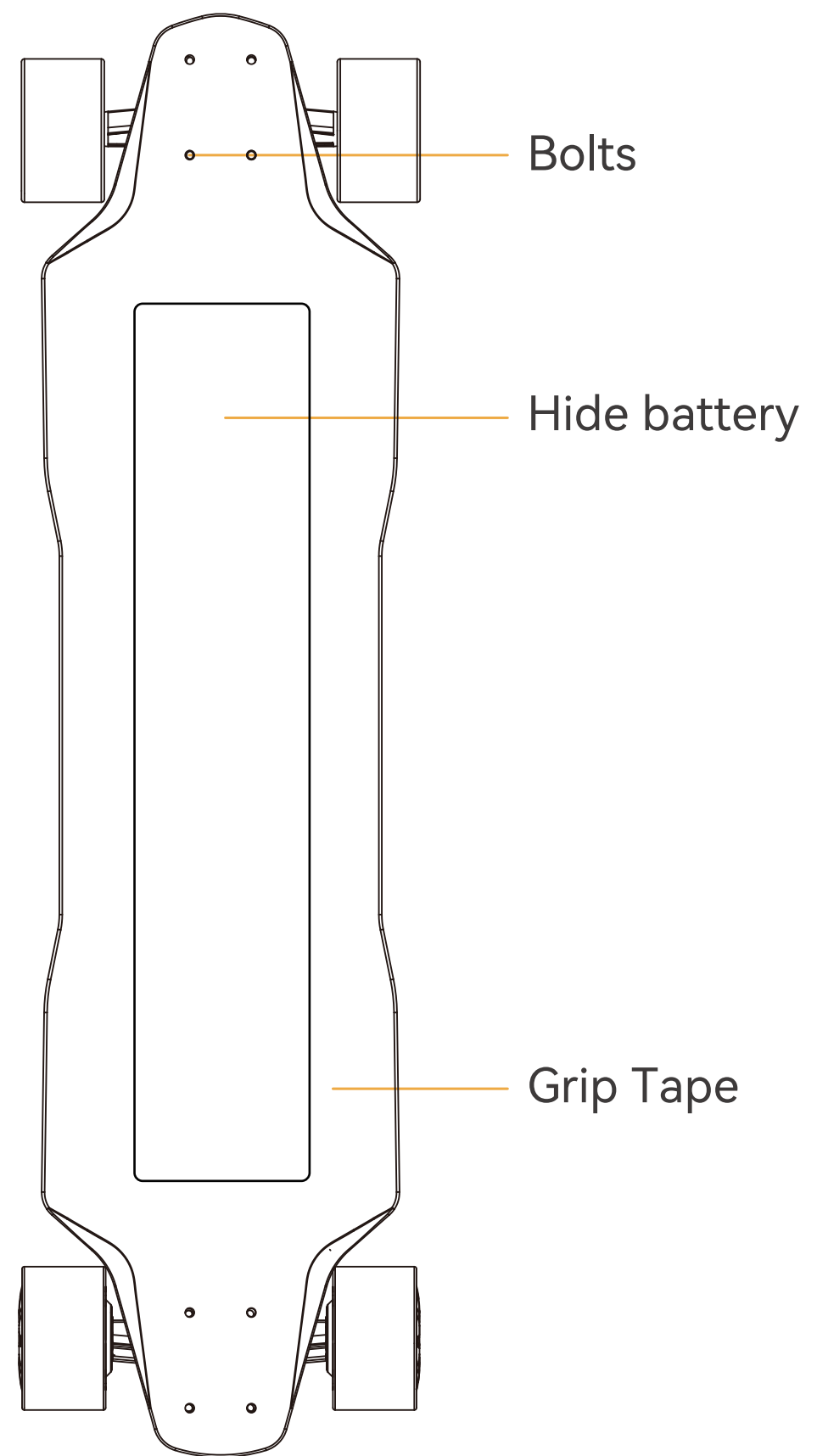
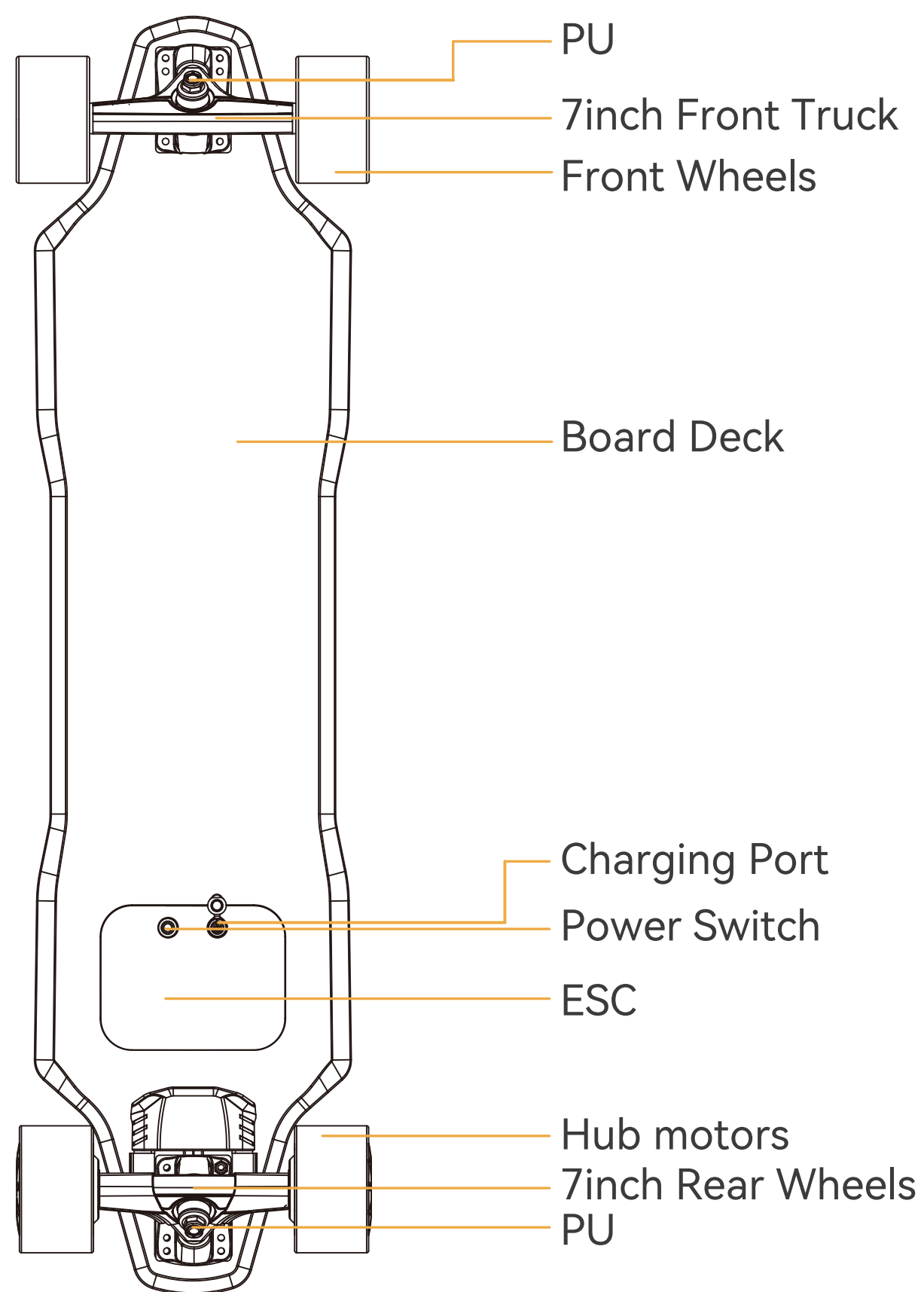
Remote charging time 30 mins

Board net weight: 16LBS / 7.3KG

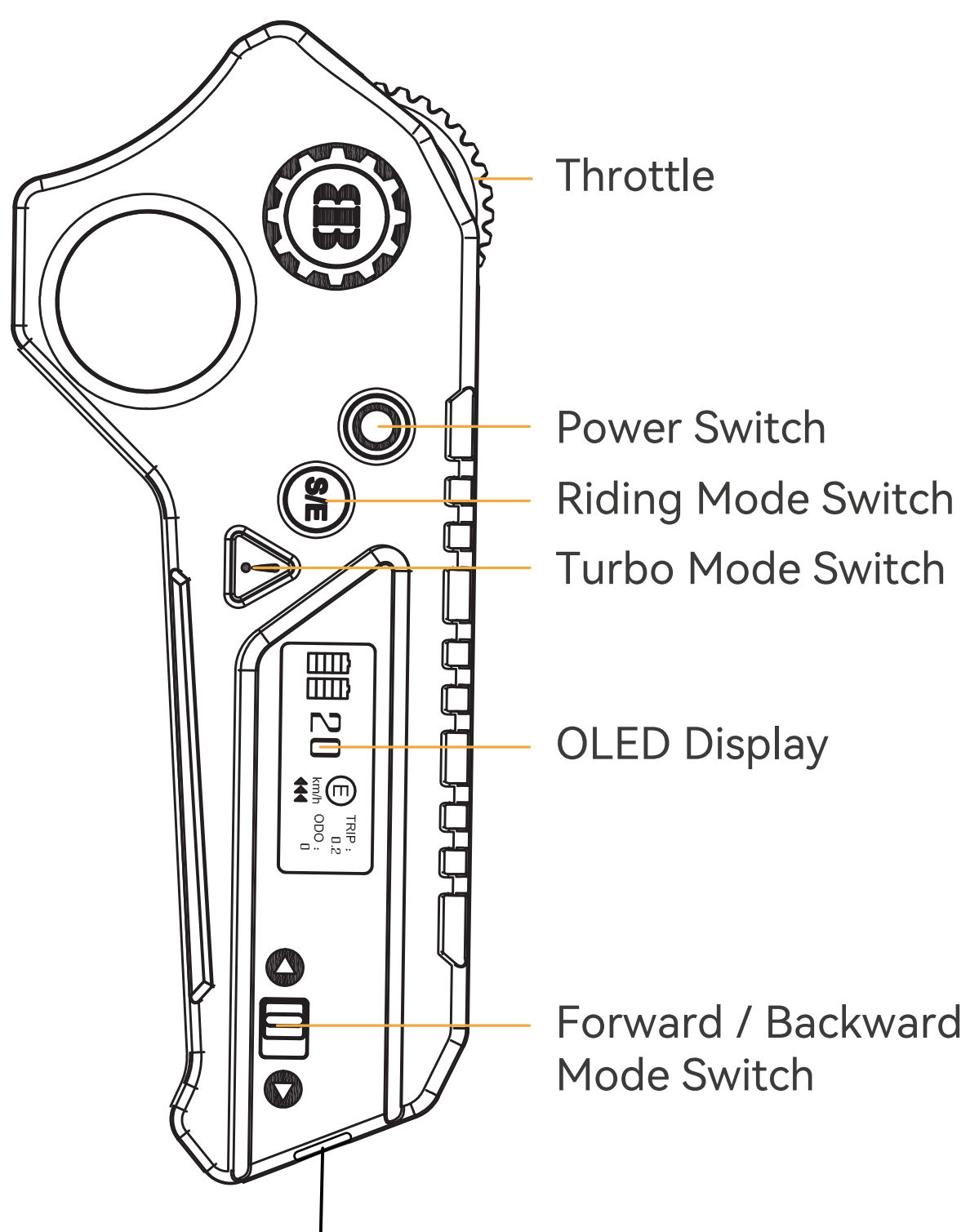




BOARD GLOSSARY



REMOTE GLOSSARY



Remote Charging Port (USB Type-C)



The board is not turned on, or not paired with the remote.



Press the power switch of the board, the board indicator will be turned on, and the remote will show speed, battery, made and other information.

Remaining capacity of the remote battery

Remaining capacity of the board battery

20 Current Speed

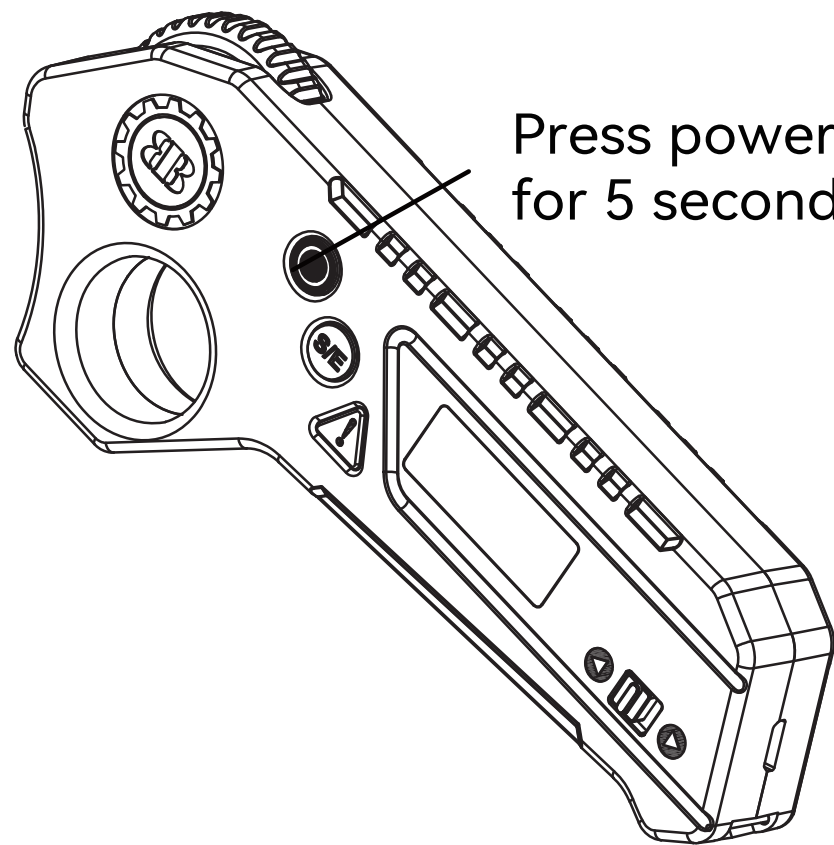
Economic Mode

TRIP : 1.5 DST TRIP DISTANCE

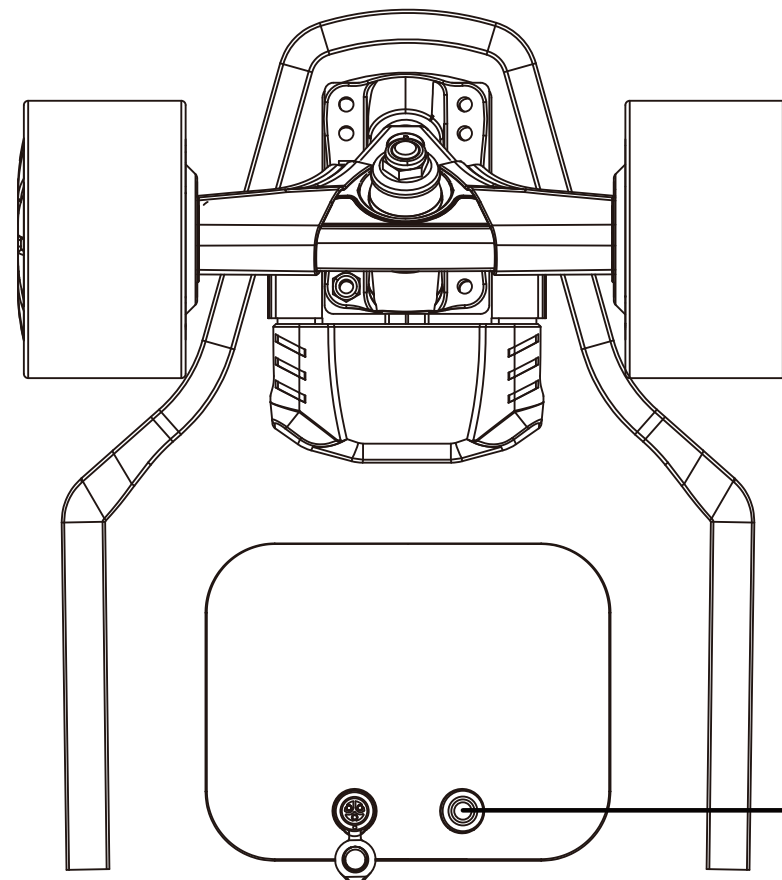
ODO : 12.5 ODOMETER



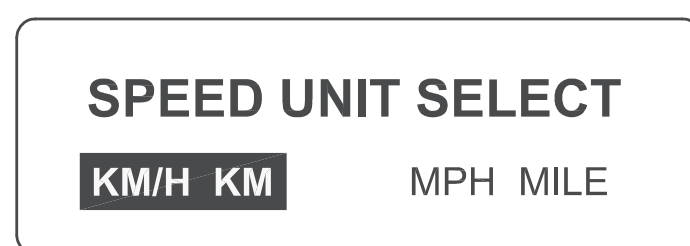
POWER ON/OFF THE REMOTE AND BOARD



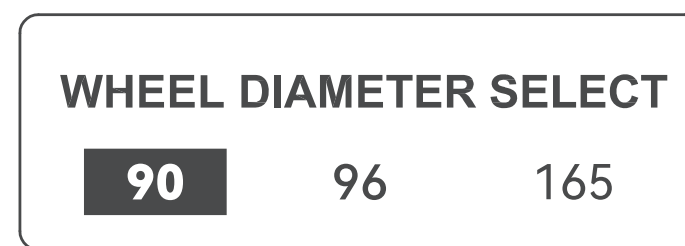
Press power switch for 5 second



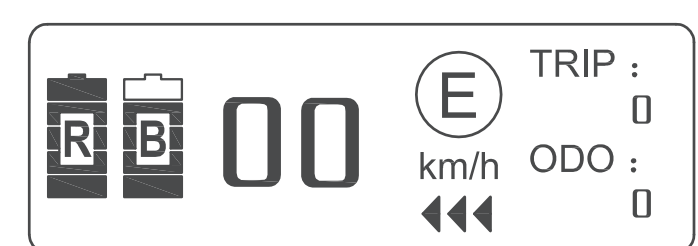
Press power switch for 5 second



Press to switch between "km/h" and "phm/mile", then press to select.



Continue to press to switch between "90" "96" and "165", then press to select. (It depends on the diameter of the wheels)



When the remote displays information such as battery, speed, mode and range, that means the binding succeed.



STORAGE AND MAINTAINANCE

- Do frequent maintainance checks, make sure all screws are tight before riding.
- Clean the bearings regularly.
- Turn off board and controller when not in use.
- Recharge the battery in well ventilated area.
- Do not charge the battery in area with might wet the board or charging units.
- Do not leave the board charging unattended.
- Stop using the product or charging unit if any wire is damaged.
- Only use charging units supplied by us.
- Do not use the board battery to power any other equipments.



BATTERY SAFETY

Lithium-ion battery can explode or cause a fire if they are used incorrectly. Therefore, it is recommended to read the following instructions very carefully:

- Each time before riding the board, carefully check the battery pack and especially the protective seal. Make it is undamaged and intact. If in doubt, take the battery to a chemical waste disposal facility.
- Never drop the board.
- Store the board with battery inside in a dry place.
- Never expose the battery to temperature above 100 celsius degrees.
- Only use official board charger for charging board battery.
- Never leave the board unattended when charging.
- Never make the board work when charging.
- If you are not planning to use the board for about 2 months or longer, Please charge to 50%-60% and charge it once a month. A lithium-ion battery that has been left empty for too long no longer be charged.
- Charge fully the battery before first time use. This gives it better long-term performance.



WARRANTY

LIMITED WARRANTY:

We offer 6 months(180days) warranty on parts from the date when you receive the board.

If a defect arises during the Warranty Period, Company will , at its options :

- 1) Send the new parts to replace the defect parts.
- 2) Exchange the affected Products with functionally equivalent Products that are new or formed from new and/or previously used parts that are equivalent to new in performance and reliability.

This warranty excludes damage resulting from abuse, accident, modifications, unauthorized repairs, neglect, abuse, water damage, or other causes that are not defects in materials and workmanship.

This warranty excludes normal depletion of consumable parts (grip tape, wheels & bearings) unless due to a defect in materials or workmanship.

This warranty excludes gifts.

FOR ALL RETURN and WARRANTY SHIPPING:

Please keep your shipping box. The warranty does not include damage from shipping in insufficient packaging.

CONTACT US

Amazon After Sales Support : Sonny@helloskate.com

TIKTOK: [@backfireboardsusa](https://www.tiktok.com/@backfireboardsusa)

Official Website: <https://www.backfireboards.com/>



Facebook



Instagram



You Tube



User Guide