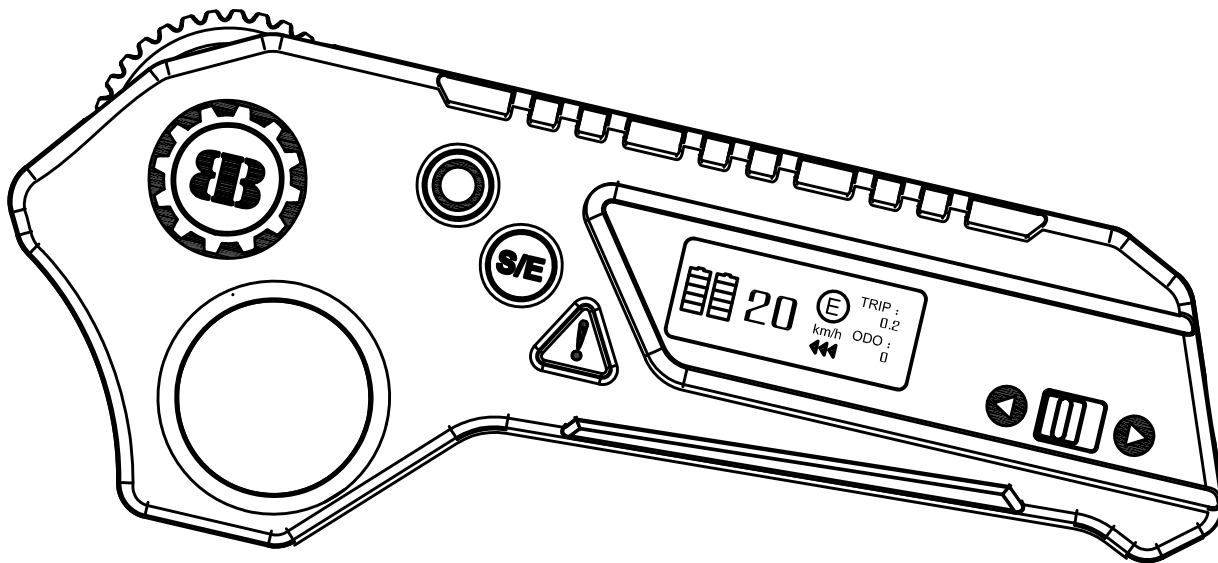
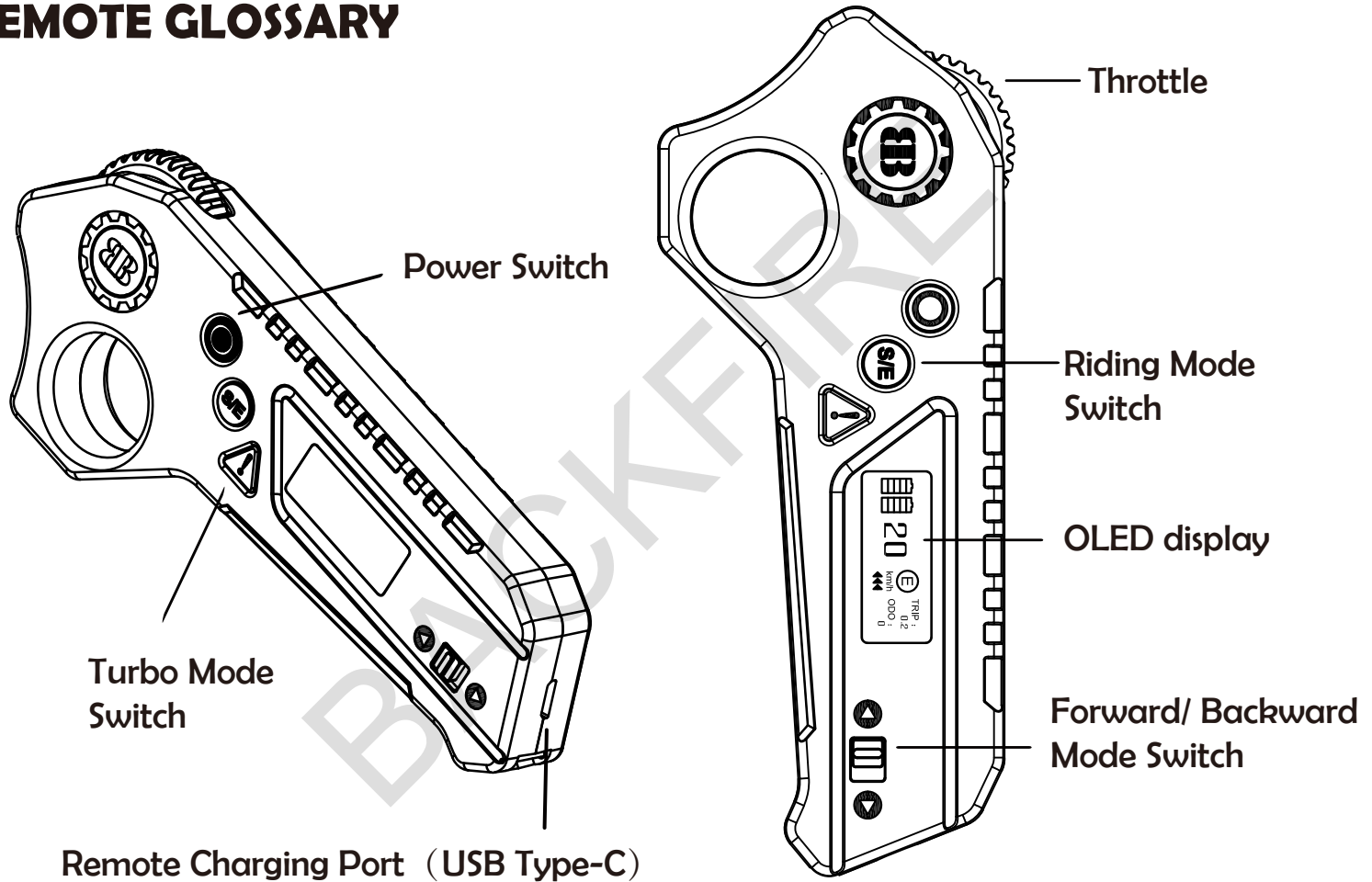


BAKFIRE

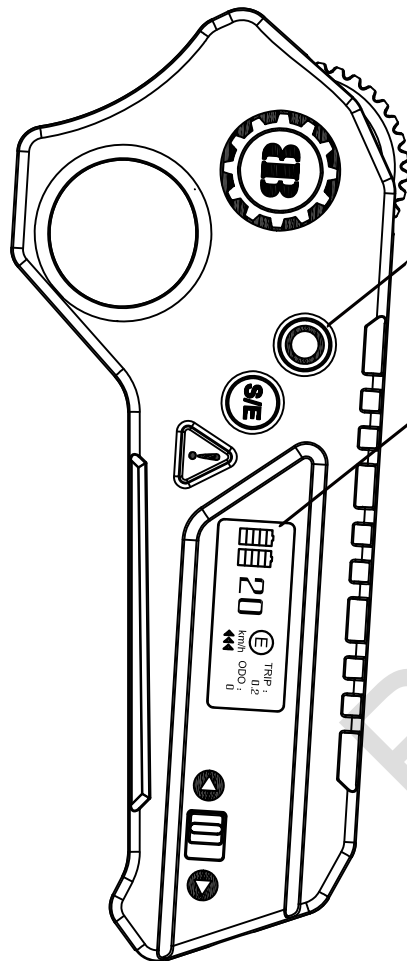


R2 REMOTE

REMOTE GLOSSARY

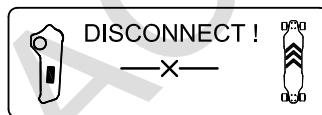
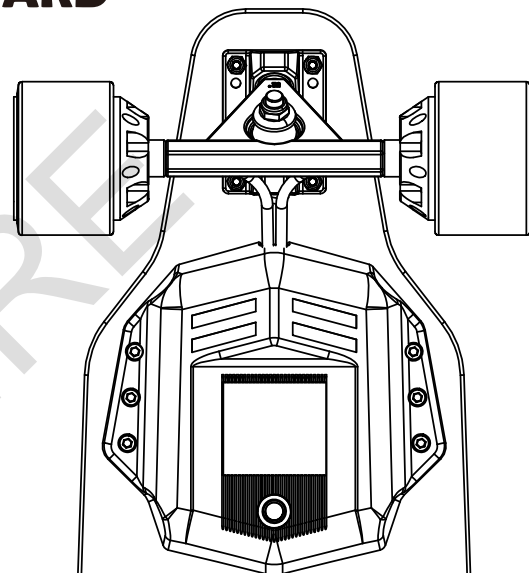


POWER ON/OFF THE REMOTE AND BOARD



Press power switch
for 1 second

Oled display

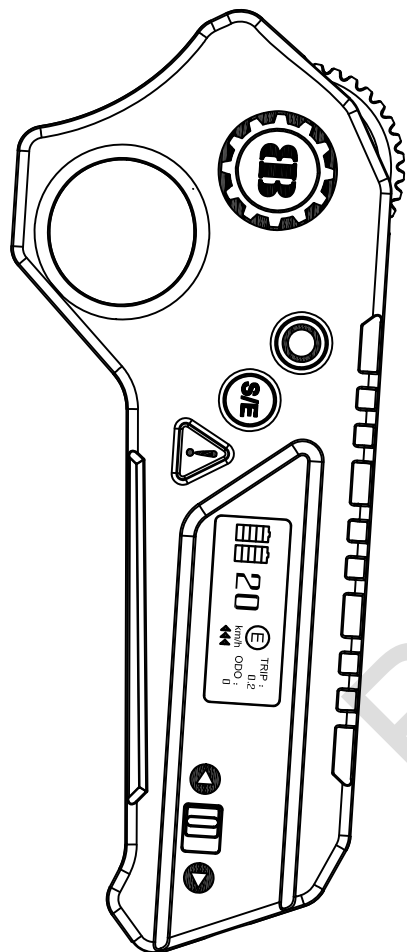


The board is not turned on.
or not paired with the remote;



Press the power switch of the board,
the board indicator will be turned on,
and the remote will show speed,
battery, mode and other information


CHECK THE REMOTE / BATTERY LIFE







20

 TRIP : 1.5
 km/h ODO : 12.5

35

 TRIP : 1.5
 km/h ODO : 12.5




35

 TRIP : 1.5
 km/h ODO : 12.5


20 Current speed in
ECONOMIC mode /
35 **SPORTS** mode



Remaining capacity of the remote battery



Remaining capacity of the board battery



Economic Mode



Sports Mode



Turbo Mode



Cruise In Economic Mode



Cruise In Sports Mode



Forward



Backward



TRIP : 1.5

DST TRIP DISTANCE

ODO : 12.5



Odometer

Economic mode

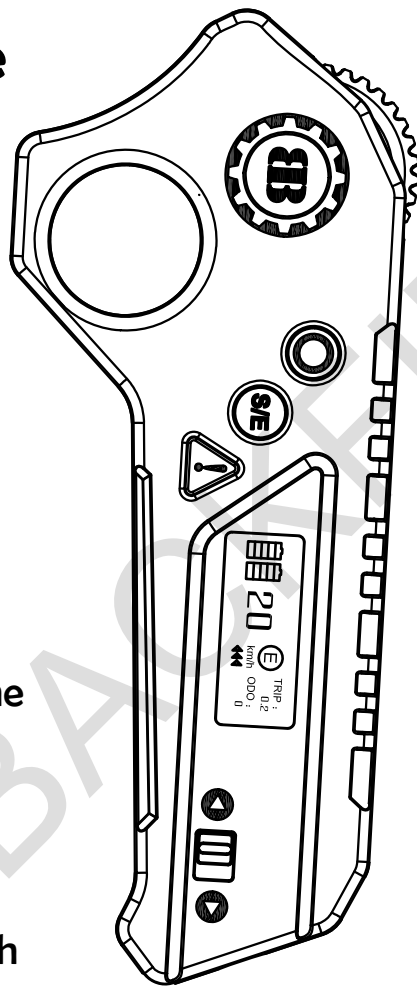
Press , it will enter the economic mode, remote will show 

In economic mode, the top speed is 12.4mph / 20km/h


Sports mode

Press , it will enter the sports mode, remote will show 


In sports mode, the top speed is 23.8mph / 38km/h



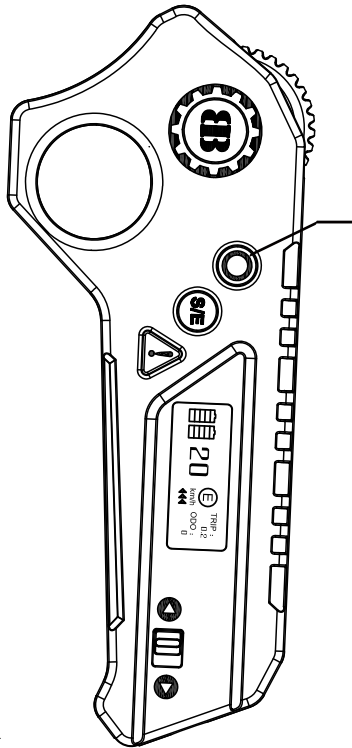
Cruise mode

During the riding, pressing  to enter the cruise mode, the board will travel at stable speed. Pull the throttle to exit cruise mode

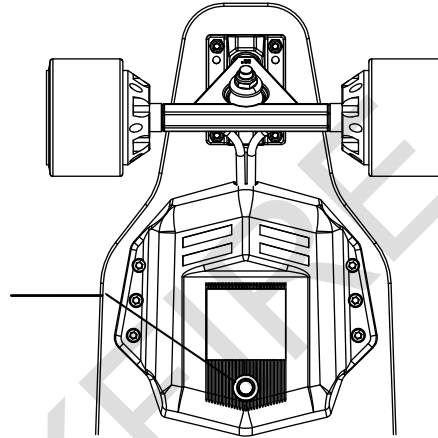
Turbo mode

Press  to enter the turbo mode, it will get 20% more power during acceleration, this extra power lasts for 30 seconds, it also has a 30 seconds cooldown. This turbo mode only adds extra power during acceleration, but doesn't increase top speed of the board.

Connecting & Binding





Press power switch for 5 seconds



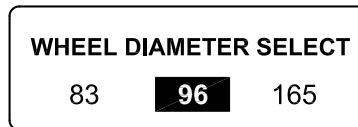
1. Press the power switch of the remote and the board at the same time, and hold it for 5 seconds.

2. The remote enters the settings interface.

3. Press  to switch between "km/h" and "phm/mile", then press  to select.

4. Continue to press  to switch between "83" "96" and "165", then press  to select. (It depends on the diameter of the wheels)

5. When the remote displays information such as battery, speed, mode and range, that means the binding succeed.



OPERATE THE BOARD WITH THE REMOTE

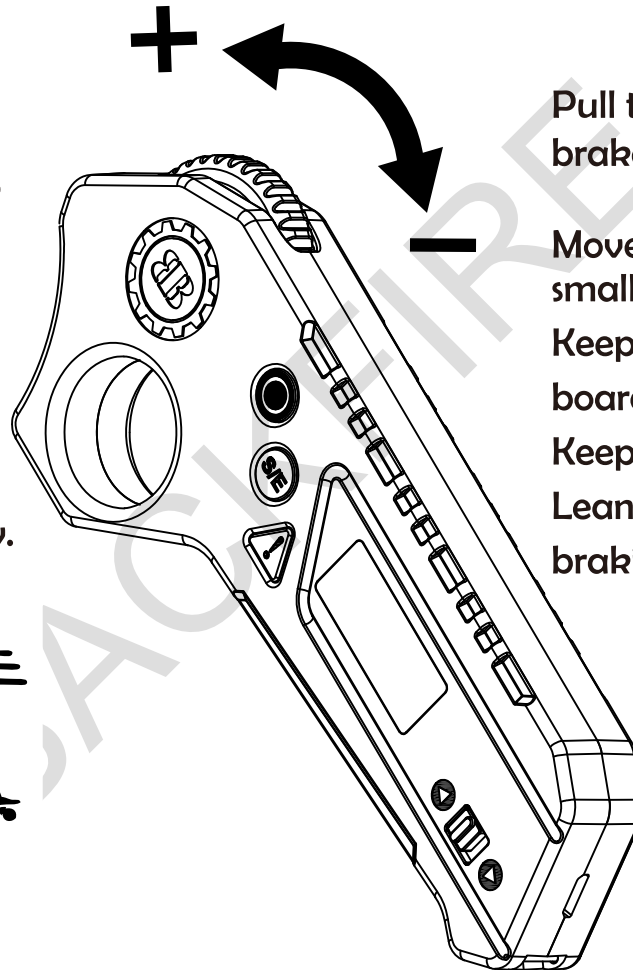
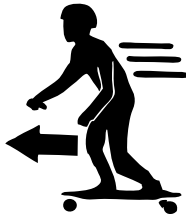
Push the throttle forward to accelerate.

Move the Throttle Wheel in small increments.

Keep a wide stance on the board.

Keep a low center of gravity.

Lean forward when accelerating.



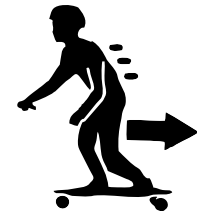
Pull the throttle backward to brake.

Move the Throttle Wheel in small increments.

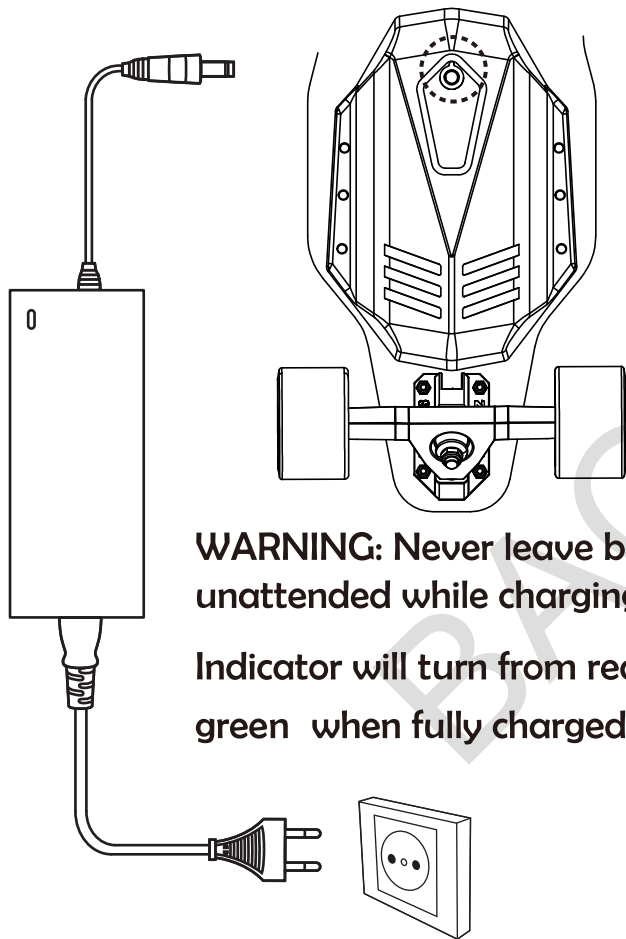
Keep a wide stance on the board.

Keep a low center of gravity.

Lean backward when braking.

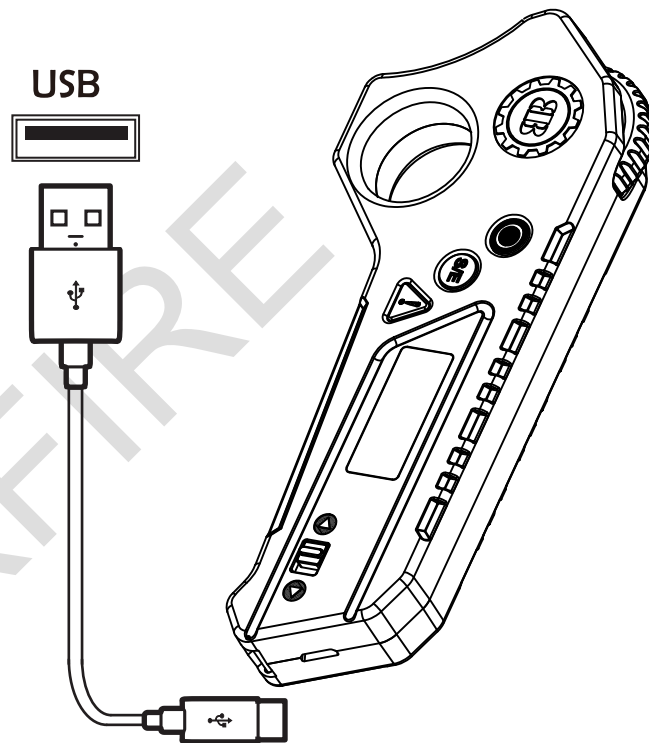


CHARGE THE REMOTE / BOARD



WARNING: Never leave board unattended while charging.

Indicator will turn from red to green when fully charged.

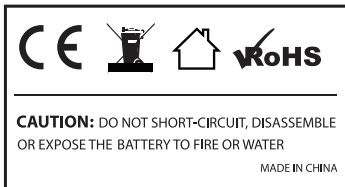


 30mins

Remote charge time 30 minutes.

Indicator will turn from red to green when fully charged.

BACKFIRE



If you want to know about the BACKFIRE ,Please visit the website:
[Http://www.backfireboards.com](http://www.backfireboards.com)