



Assembly Instructions 40x60x18 Domed Style Truss Building

ASSEMBLY INSTRUCTIONS DOMED STYLE 40x60x18

CONGRATULATIONS!

Congratulations on your purchase of a Big Bear buildings 40x60x18 Round Style Portable Building. With proper installation, use and maintenance, your new unit will provide many years of good and suitable service. Your new Big Bear buildings portable enclosure is a combination of excellent engineering and well thought out design. The unit is comprised of a rigid tubular frame, covered with a long life polyethylene cover and door ends.

The multiple part frame assembly is pre-drilled for easy insertion of frame bolts. The tubing is made from high-grade galvanized steel, resisting moisture and oxidation over the life of the shelter. The cover and doors are made from **ASTM-5** approved polyethylene materials. The cover is UV protected for exposure to sunlight.

SAFETY WARNING

The installation of this unit must conform to the requirements of all authorities having jurisdiction in your specific local area. In the absence of such requirements, the assembly and installation must conform to the provided assembly and installation instructions. MDM Products, LLC will not be responsible for failure to comply with any requirements in a given local area. Damages, consequential damages, or injuries caused by improper installation, alteration, improper use, or damages caused by snow, wind, or any acts of nature are strictly that of the user. Unit is not intended for occupancy for any length of time. NO running of internal combustion engines, open flames or contact with heated surfaces is allowed.

For installation assistance or Customer Service, please call 800-447-7079 or 203-877-7070, 8AM-5PM EST. Cartons should be inspected upon delivery from carrier, and any evident damages should be noted on the bill of lading before signing. If upon opening the cartons hidden damage is discovered, contact carrier or it's agent immediately. Claims for shipping damage **MUST** be made with the shipping company. An inspection of the goods will most likely be required. Do not discard packing or any components before the freight company inspection. All claims for freight damage must be made

within 15 days of receipt of the goods in accordance with ICC regulations.

The proper erection and installation of this building requires a high level of care and safety. BigBear buildings **strongly recommends** that all OSHA safety regulations be complied with. This includes but is not limited to:

- Safety Hats, Protective Eyewear and Protective Clothing
- Safety Harnesses for all Elevated Workers
- Proper Ladder, Cage, and Safety Equipment

Due to the size of some building components, some power equipment may be required or used. Operators must be trained and fully capable of safe operation.

ASSEMBLY PROCEDURE

The proper sequence and steps to install this unit will produce a proper and good installation. Failure to read and follow these guidelines may result in an improper installation and will void all warranty and protection the owner is entitled to with the product. The overall steps to be undertaken are:

1. Perform an inventory check before beginning, to be certain all components are available for installation.
2. Prepare location and place all unit boxes near location sight.
3. Assemble Seven (7) Arch Assemblies of unit.
4. Secure Base Plates to Base Surface.
5. Begin Frame Assembly with Front End Arch, first Interior Arch, and Wind Braces with the first ridge crest, and side rail sections.
6. Add additional Interior Arch Assemblies with each section of side rails.
7. Add Rear Arch and Rear Wind Braces. Plumb Frame of Unit.
8. Install Rear Panel and Front Panel Framing.
9. Install Main Cover over frame assembly.
10. Install Front Fabric Panels over Front Panel.
11. Install Rear Fabric Cover over Back Panel.
12. Install Front Mechanical Roll Up Door.
13. Install Rear Mechanical Roll Up Door.



Assembly Instructions 40x60x18 Domed Style Truss Building

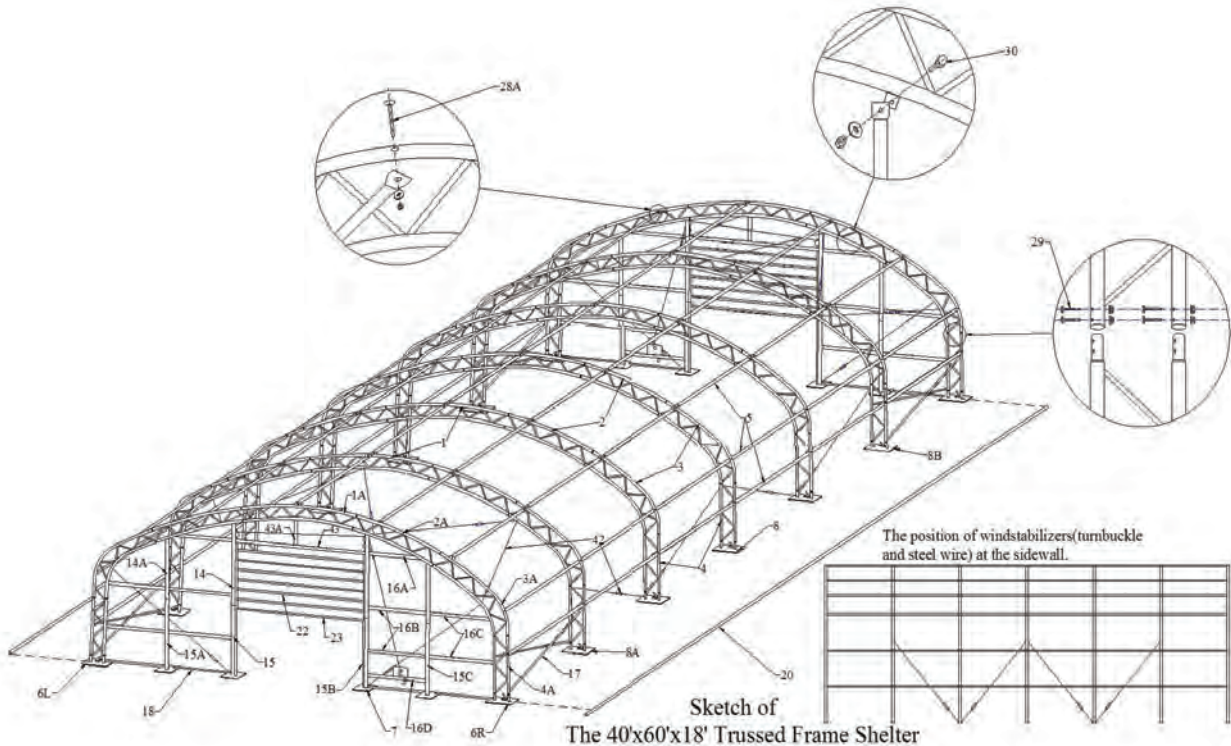


Figure 1 Overall Frame Assembly

TOOLS REQUIRED

The following hand tools will be needed for proper installation of your new Big Bear building:

- 12mm, 14mm, and 17mm Open End Wrenches,**
- 12mm, 14mm, 17mm Sockets or Box Wrench,**
- Large Flat Head Screwdriver,**
- 2lb maul or Sledgehammer**
- 4 Foot Level/14' Step Ladder**
- Stakes & String for aligning Base Plates & Frame**

SITE SELECTION & PREPARATION

Select a level or as close to level as possible location for your Big Bear Building. As the components fit into each other as a level unit, there can be no more than 1.5 inches difference between one base Plate and another. Time spent preparing the base will pay off in years of good operation without binding of parts and doors.

The only suitable location is on top of a poured concrete pad.

INVENTORY CHECK

Start installation procedure by removing all components from packaging to ensure all components are present. Inventory chart appears on the last page of this manual.

The unit should not be located under trees, which will shed hard fruit such as apples, walnuts, or heavy pine cones. The cover of your unit will protect against normal falling leaves and light debris, however, large branches or other falling items may cause a puncture or tear in the cover material.

Take notice of drainage around your intended location. Water draining from the surrounding terrain should be planned so that it does not run into the unit. As well, rain or melting snow that comes off the unit should be

Version 3.1

Please DO NOT return unit to store or dealer. For all questions or shortages please contact Customer Service at: 800-447-7079 or 203-877-7070

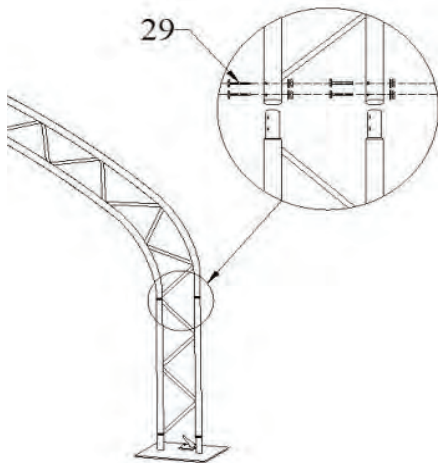


Assembly Instructions 40x60x18 Domed Style Truss Building

drained away rather than accumulate and pool around the unit.

Check to be certain that adequate clearance is allowed for entry and exit.

When selecting a location for the building, consideration should be taken of the ability of the ground to keep the base Plates in place, as well as support the weight of the building and content. Using the stakes and string, measure off and square area for intended installation. Level the ground as best as possible. A properly leveled frame yields maximum strength.



Arches slide together at ends and secure using Hexagon Bolts (Part #29) and Nuts

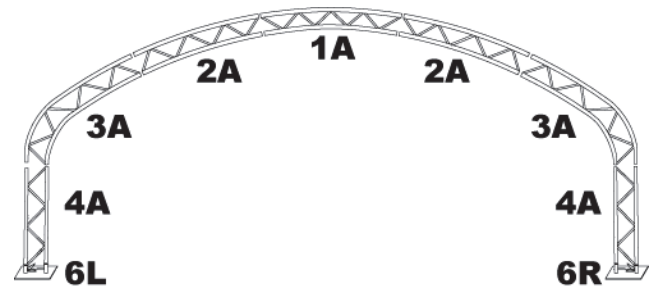
ARCH ASSEMBLY

Unit consists of One Front Arch, Five (5) Interior Arches, and One Rear Arch. Assemble each arch on ground. Begin by laying out the components of the Front and Rear Arches. Front and Rear Arches consist of:

One (1) Top Ridge Tube (Part #1A)
Arches #2 and #6 include:

One (1) Top Ridge Tube (Part #1)
Two (2) Curved Roof Tube (Part #2B)
Two (2) Curved Shoulder Tube (Part #3B)
Two (2) Sidewall Tubes (Part #4)
Two (2) Base Plates (Part #8A/8B)

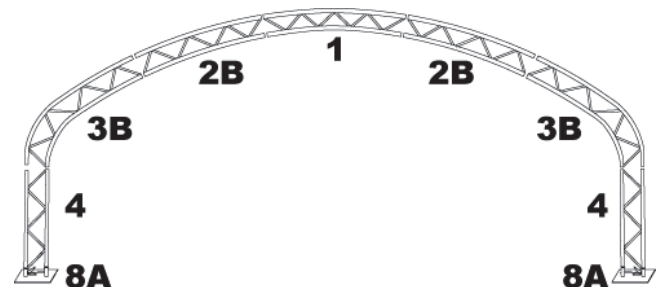
Two (2) Front Wall Curved Roof Tube (Part #2A)
Two (2) Front Wall Sidewall Tubes with Wind Brace supports (Part #3A)
Two (2) Sidewall Tubes (Part #4A)
Two (2) Corner Base Plates (Part #6L/6R)



End Arches (Front and Rear)
Figure 2

Components slide into each other at the ends as shown in diagram on page 3. Sidewall tubes (3A) must be faced so the clips for Wind Brace Supports are facing to the next interior arch. Secure them together using M10x75 Hexagon Bolt, washer, nuts(29). Only snug up nuts, do not over tighten nuts.

Use Hexagon Bolts with Washers and Nuts through pre-drilled holes in frame members. Be certain to insert Hexagon Bolts from the outside into the interior of the unit, with the washers and nuts on the inside of the frame. This will prevent the bolts from puncturing through the cover material. Do not tighten down the nuts completely until frame is fully assembled and set in place.



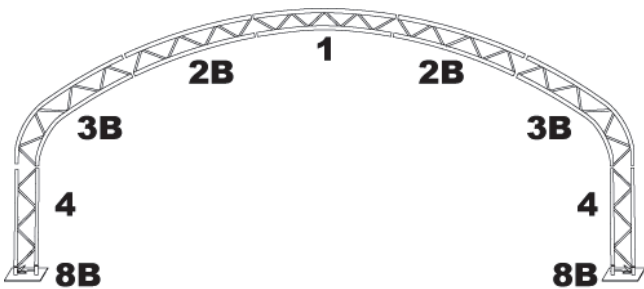
Arch #2
Figure 3

Version 3.1

Please DO NOT return unit to store or dealer. For all questions or shortages please contact Customer Service at: 800-447-7079 or 203-877-7070



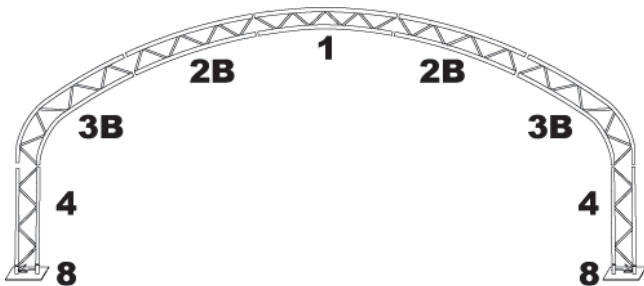
Assembly Instructions 40x60x18 Domed Style Truss Building



Arch #6
Figure 4

Assemble each of the five (5) Interior Arch Assemblies. Each Interior Arch #3, #4, and #5 consists of:

- One (1) Top Ridge Tube (Part #1)
- Two (2) Curved Roof Tube (Part #2)
- Two (2) Sidewall Tubes (Part #3)



Arches #3, 4, 5
Figure 5

These arches must have the Sidewall Tubes (Part #3C & #3D) that accommodate the Wind Brace Supports. The first Interior Arch from the Front Arch must use Sidewall Tube (Part #3C), with clips for wind brace supports facing towards the end arch. Welded Wind Brace Tabs should be on the bottom of the sidewall tube

SECURING BASE PLATES

Step #2 – Secure Base Plates in Position

In order to assemble arches into a frame assembly, the Base Plates (6L, 6R, 8A, & 8B) must be secured to the mounting surface. Begin Refer to Figure 6 below for an exact layout of all base Plates.



Assembly Instructions 40x60x18 Domed Style Truss Building

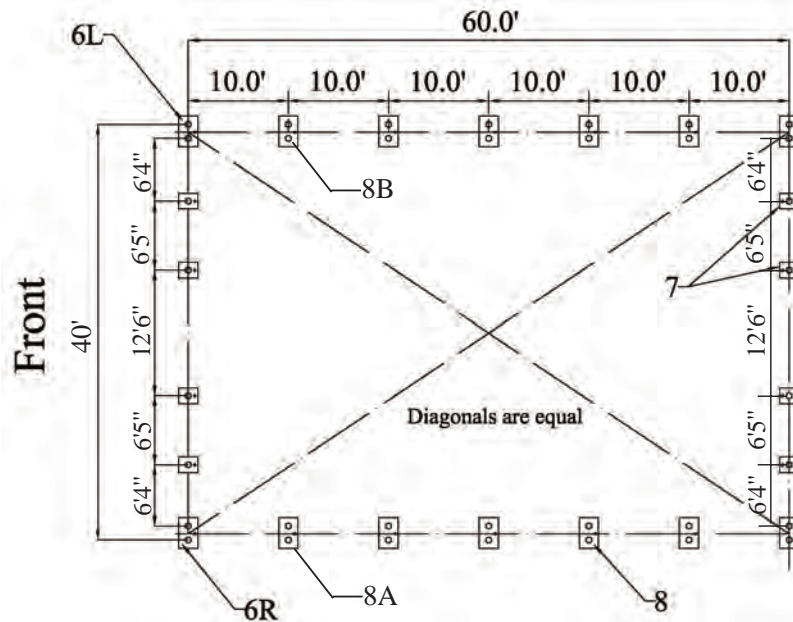


Figure 6 Position of Base Flanges

Begin by determining exact location of the four (4) corners of the building. Mark front edge and side-to-side width of assembly on ground. Drive alignment stakes into the ground outside of the markings, and draw alignment strings along both ends and sides of the building to the dimensions shown in Figure 2. The outline of the strings will represent the final location of the base Plates. The initial location of each Corner Base Plates (6R & 6L) is critical to the alignment and fit of the frame components and cover. Locate the Left Corner Base Plate (6L) and Right Corner Base Plate (6R) for the front corners of the building. Secure the base Plates with either or both the Auger style anchor (Part #24) or the earth anchor (Part #25). Measurements shown in Figure 6 are to the center of the upright sockets on each Base Plate.

Layout and secure all Base Plates as shown in Figure 6.

Note that Sidewall Base Plates (Part #8) and Base Plates Front & Rear Standing Legs (Part #7) are different and not interchangeable. Sidewall Base Plates are used only along each side of assembly. Standing Leg Base Plates are positioned along the Front and Rear Arches to secure vertical beams in each.

Base Plates (8A & 8B) are used with interior arches #2 and #6. Base Plates 8A and 8B have attachment clips for wind braces, which must face End Arches.

The 40x60x18 building must be secured to a firm surface that can receive and retain anchors firmly in position. Both Auger Style and Earth Style anchors are included within this assembly kit. If securing to the ground or to blocks that might shift later, it is recommended that both style of anchors be used to avoid base Plates moving during or after assembly. If securing to a concrete pad, blocks, or other hard surfaces, anchors must be field supplied. Regardless of base material, the Base Plates must be secured so they cannot be moved. Arches are tensioned at their base as they insert into the Base Plate sockets.





Assembly Instructions 40x60x18 Domed Style Truss Building

INSTALLATION OF BASE PLATES

Using one Base Plate as a panel, mark the Earth Auger hole through the Base Plate by pushing the Auger point through the Base Plate hole in place. This will leave an impression in the ground when the Base Plate is removed. The auger tip should be started into the ground where the depression under the hole was made.

After the hole is marked, move the Base Plate to one side to expose the impression for the Auger. Using the wrench (Part #24A), turn the earth auger into ground. Leave sufficient shaft above the ground to allow for the Base Plate thickness and adequate thread to be exposed for the washer and nut to be tightened over the Base Plate.

Replace the Base Plate into place, with the threaded shaft of the auger sticking through the base hole. Re-check the dimension from the corner or adjacent base Plate before tightening. Tighten the nut and your assembly will be securely fastened to the ground.

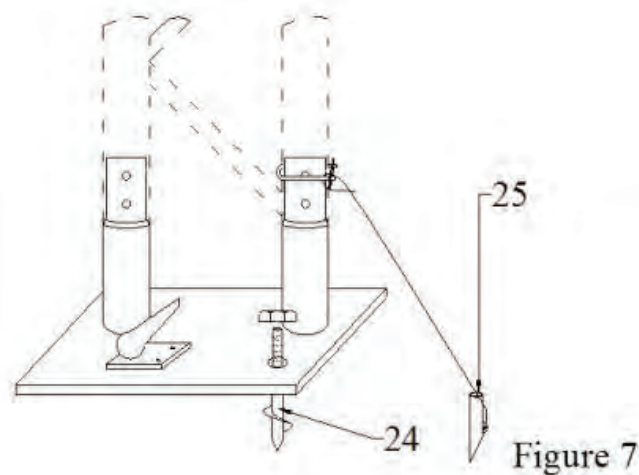


Figure 7

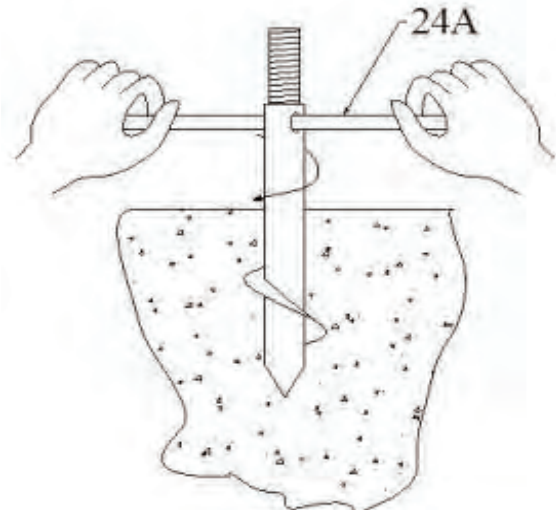


Figure 8

Follow the above procedures for each subsequent Base Plates of the assembly. It is suggested that you begin with the four corner anchors to be used as reference points to the next base Plate. Alignment and dimensions should be checked continually as Base Plates are secured.

INSTALLATION OF EARTH ANCHORS

Each Big Bear 40x60x15 building comes with twenty two (22) EARTH CABLE ANCHORS (Part #25) with U-bolts and nuts (Part #26). These versatile anchors allow the frame to be secured to almost any surface. In addition you have also been provided with a 36" Drive Rod (Part #27) used to drive the anchor heads into the earth.

If the location where you are placing the building has very hard ground or any rock in it, pre-drill the holes before inserting anchors. Hammer drills can be rented at most home improvement or rent-all centers. Hitting the anchors into rock will cause the drive rod end to mushroom inside the anchor head, and prevent the drive rod from coming out of the hole.

Anchor placement should be made inside the frame. Anchors secure the building to the ground to prevent spread of the frame over time.



Assembly Instructions 40x60x18 Domed Style Truss Building



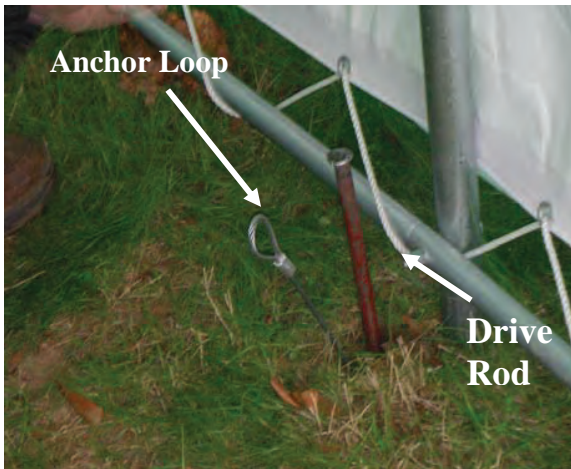
EARTH ANCHOR STEP 1

Place the drive rod provided into the cup of the anchor. Using a heavy hammer drive the anchor into the soil until 6-8 inches of cable remains above the earth. Remove drive rod.



EARTH ANCHOR STEP 3

Slip one side of the U-bolt (Part #26) through the eyelet at the end of the anchor cable. Attach the cable to the base Plate socket with the U-bolt and tighten. Ensure there is no slack in the cable. Slack can be removed by wrapping the cable around the base Plate upright socket.



EARTH ANCHOR STEP 2

Place the Drive Rod through the loop in the anchor lanyard. Pull upward to set anchor head into the ground.



Assembly Instructions 40x60x18 Domed Style Truss Building

ERECTING ARCHES

Step#4 – Combining Arches Into Frame

Begin frame assembly by erecting Front Arch into Front Corner Base Plates. Place left frame sidewall tubing into

In order to insert Right Sidewall Tube into Right Front Corner Plate (Part #6R), it is necessary to support arch on left side to prevent movement. Position the Right Sidewall Tube over the Right Corner Base Plate.

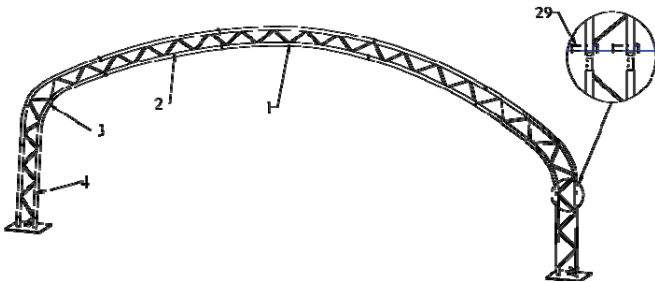


Figure 9

Once the Right Sidewall Tube is placed into right corner base Plate, insert a M10x75 bolt(29) and nut to prevent it from popping out of the socket while assembly continues.

Next stand first interior arch (#2 or #6) up to repeat insertion into Base Plates. Place left sidewall tube into the upright socket of first interior Base Plate. Put M10x75 bolt through base Plate and sidewall tube to secure in place.

Supporting the left side of the arch, put the arch assembly right sidewall tube into the right side Base Plate upright socket.

Immediately after putting first interior arch into place, connect Front Arch and Interior arch using Cross Rail Tubes (Part #5) at top ridge and side shoulder cures of arches. Secure the Cross Rail tubes (Part #5) into place using M10x85 carriage bolts (Part #28A) and nuts.

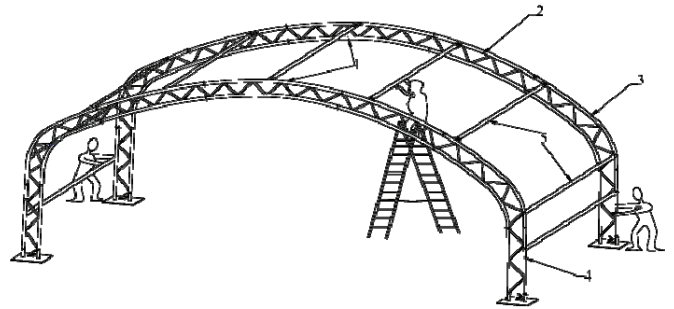


Figure 10

Note: Cross Rails (Purlin Horizontal Tubes) (Part #5) are secured inside of the arch assemblies.

Use Carriage Bolts with Washers and Nuts through pre-drilled holes in frame members. Refer to detail drawing for correct hardware. Be certain to insert carriage bolts from the outside into the interior of the unit, with the washers and nuts on the inside of the frame. Do not tighten down the nuts completely.

Next install the Wind Brace supports that connect the Front Arch to the first Interior Arch (#2). Use two Wind Brace Supports (#17) in an 'X' fashion between the sidewall tubes. Use a Wind Brace Clip (#17A) at the end of each Wind Brace support tube. The Wind Braces give the arch assemblies strength as a unit.



Assembly Instructions 40x60x18 Domed Style Truss Building

Please note the edge of outer wind brace should be towards inside, in order to avoid the covering abrasion.

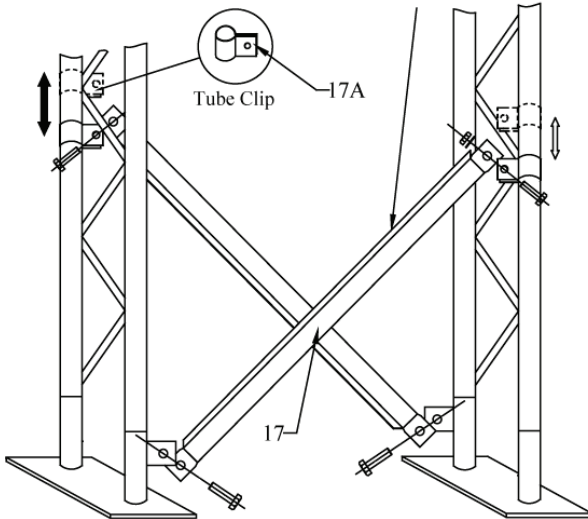


Figure 11

Use Bolt M10X30 (Part #30) at the end of each Wind Brace Support to secure. Check level of arch upright before final tightening of Wind Brace Clip (Part #17A). Slide clips as needed on Arch Sidewall until Arch is level and plumb.

Continue to install Interior Arch Assemblies #3, #4, and #5, in the same manner. Overlap pinched ends of Purlin Horizontal Cross rails onto same carriage bolts inside frame assembly.

Install Interior Arch #6 (next to Rear Arch), with the Wind Brace Support Tabs on the Base Plates (Part #8A) facing the Rear End Arch. Install Rear End Arch into Base Plate Sockets. Install final Cross Rails (Purlin Horizontal Tubes) and Wind Cross Brace Assemblies as described above. Check end Arch for plumb before securing the Wind Brace bolts tight.

Next check entire frame assembly for square and plumb. Adjust Wind Braces and Cross Rails (Purlin Horizontal Tubes) as necessary to bring frame into plumb. Next tighten frame bolts adequately. **DO NOT** over tighten bolts so as to oval or compress frame components.

ERECTING END WALL SUPPORTS

Step #5 –Assemble End Wall Framing

Each end wall consists of vertical and horizontal beams to form a framework to support Mechanical Door and End Panels. Four vertical beams extend from bottom of arch assembly to base plates. The vertical Door Track Beams go in the center positions. The vertical side beams are on each side of the Door Track Beams. The horizontal beams consist of the Door Beam across the top, two horizontal Side Beams, and lower horizontal rails for the cover panel tensioning.

Begin by assembling Door Track Beams from Upper Door Track (#14) and Lower Door Track (#15). Lower Door Track goes into Base Plate (#7), and Upper Door Track secures to Curved Roof Arch. Repeat for each side of Door.

Next secure horizontal Door Beam (#43) between vertical Door track Beams. Insert and assemble Vertical Support Tube for Door beam (#43A) from the Center of Door Beam (#43) to Top Roof Tube (#1A).

Assemble Vertical Side Beam for End of unit from Upper Side Panel Beam (#14A) and Lower Side Panel Beam (#15A) on side of door beams. Repeat for each side (left and right) of end. Base of Side Panel Beam goes into Base Plate (#7) and secures to Curved Roof Tube (#2A) at top.

Horizontal members, which connect edge of Arch Assembly to Vertical Door Track Beams and vertical Side Beams are made from Middle Lower Rail parts #16B and #16C. These bolt between Door Track Beam and Side Beam Assemblies on each side to complete framework. See Figures 12 and 13. Also assemble Upper Horizontal Side Rail (#16A) on each side.

Bottom horizontal rails are the Cover Tensioning Tubes (#18). Secure one between Arch Assembly and vertical Side Beam, and another between vertical Side Beam and vertical Door Track. Repeat for each side of End Wall. See Figures 12 and 13.

The Rear Wall Assembly is identical. Repeat assembly process for rear end assembly to prepare for door installation.



Assembly Instructions 40x60x18 Domed Style Truss Building

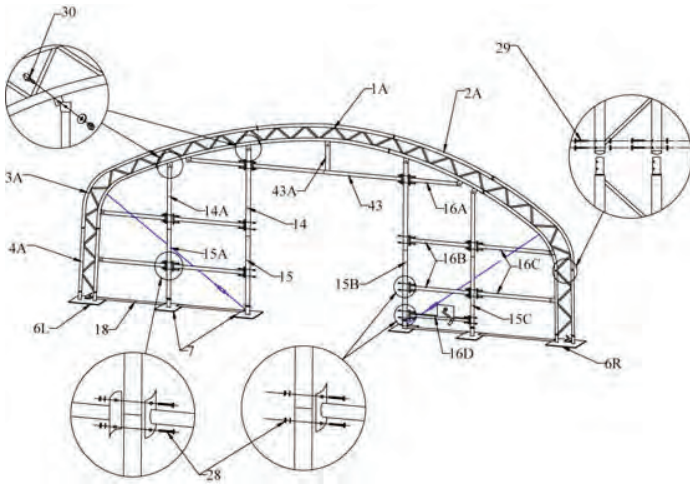


Figure 12 Frame installation for Front and Back Panel

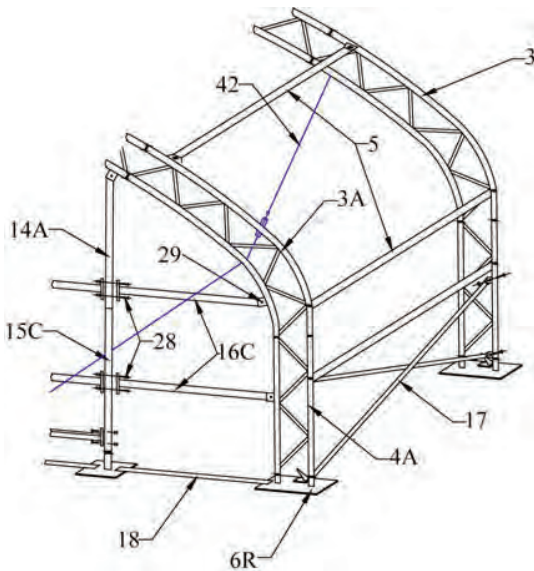


Figure 13 Installation of Front and Back Wall

Step #6 – Wind Stabilizer Cables and Turnbuckles

SIDEWALL WIND STABILIZERS

On each side of frame assembly, cables with turnbuckle adjustments are provided to align and strengthen frame before installing cover. Turnbuckle & Cable (Part #42) are to be placed in a 'v' pattern as shown on Figure 1 for both sidewalls. Beginning at the base of arch #3 and #5, attach the cables from the base to the upper end of arches #2 & #4 and to Arches #4 and #6. After installing all cables, tighten the turnbuckles slightly to adjust the arches vertically and to add rigidity.

END ARCH STABILIZERS

On each end of frame assembly, cables with turnbuckle adjustments are provided to align and strengthen frame before installing cover. Turnbuckle & Cable (Part #42) are to be placed from the Door Track Baseplate to the upper corner of the Curved Tube (#3A). Install the cables, and tighten the turnbuckles slightly to adjust the arches vertically and to add rigidity.

The position of windstabilizers (turnbuckle and steel wire) at the sidewall.

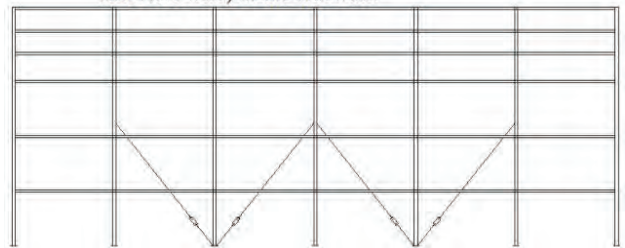


Figure 14 Position of Wind Stabilizers (turnbuckle and steel wire) at the sidewall

Step #7 – Bolt Ratchets to Base Plates

Attach Tie Down Ratchet Assemblies (Part #32) to each Base Plate along Sidewall. Use two Bolts M10x15(31) for each sidewall ratchet to secure to Base.



MAIN COVER INSTALLATION

Step #8 – Prepare Frame and Position Main Cover

To elongate the life of Main Cover, put a small square of duct tape (field supplied) over each bolt head on frame that comes in contact with cover. The tape acts as a

Version 3.1

Please DO NOT return unit to store or dealer. For all questions or shortages please contact Customer Service at: 800-447-7079 or 203-877-7070



Assembly Instructions 40x60x18 Domed Style Truss Building

cushion to avoid rubbing damage to the cover over years. As an alternative, foam rubber pipe insulation makes a good cushion between the bolt heads and the main cover as well.

When ready to install Main Cover (Part #34), unpack cover and lay parallel to building frame on one side. Cover must be pulled over top of frame assembly without being snagged or stressed on any frame members. Use multiple ropes over top of frame as shown in picture below. Having another person inside frame on a ladder to assist in getting Main Cover (Part #34) over frame will insure the cover will go on without any damage.

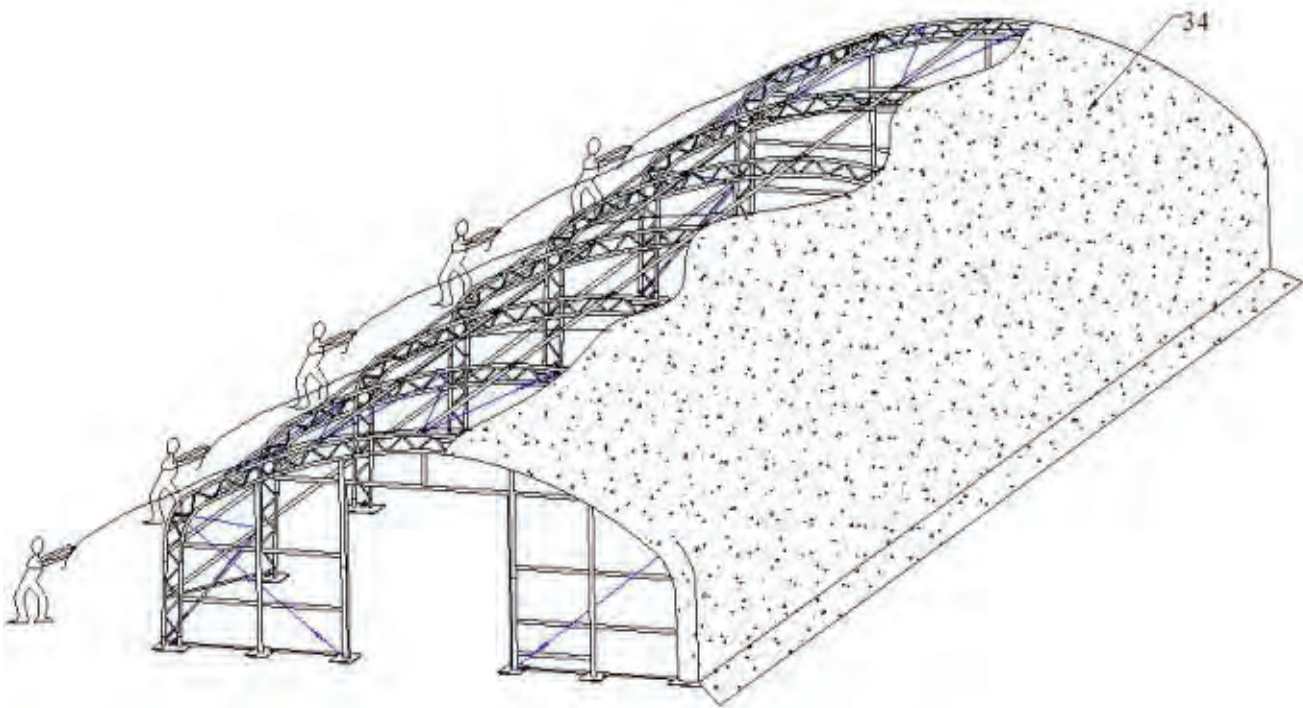
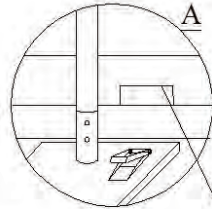
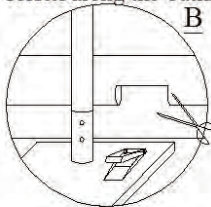


Figure 14 Pull the Roof Cover (Part #34) over the frame evenly



Assembly Instructions 40x60x18 Domed Style Truss Building

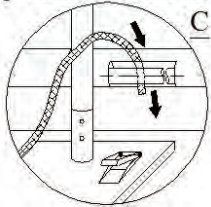
Then make the cuts using
forfex along the outlines.



Before inserting the cover tensioning
tube(part #20) into pocket of roof
cover, you need to make cuts for band
of Ratchet on the cover first. Firstly
please draw the outline of the cuts
according to the position of Ratchet.
The position of cuts should be right
upon the ratchets.

draw the outline of cuts

First circle the band for tie
down ratchet(part#32A)
around the tensioning tube
through the cuts on the
pocket of the roof cover.



Then put the bands through
the reel of the ratchet, and
tension the band by ratchet.

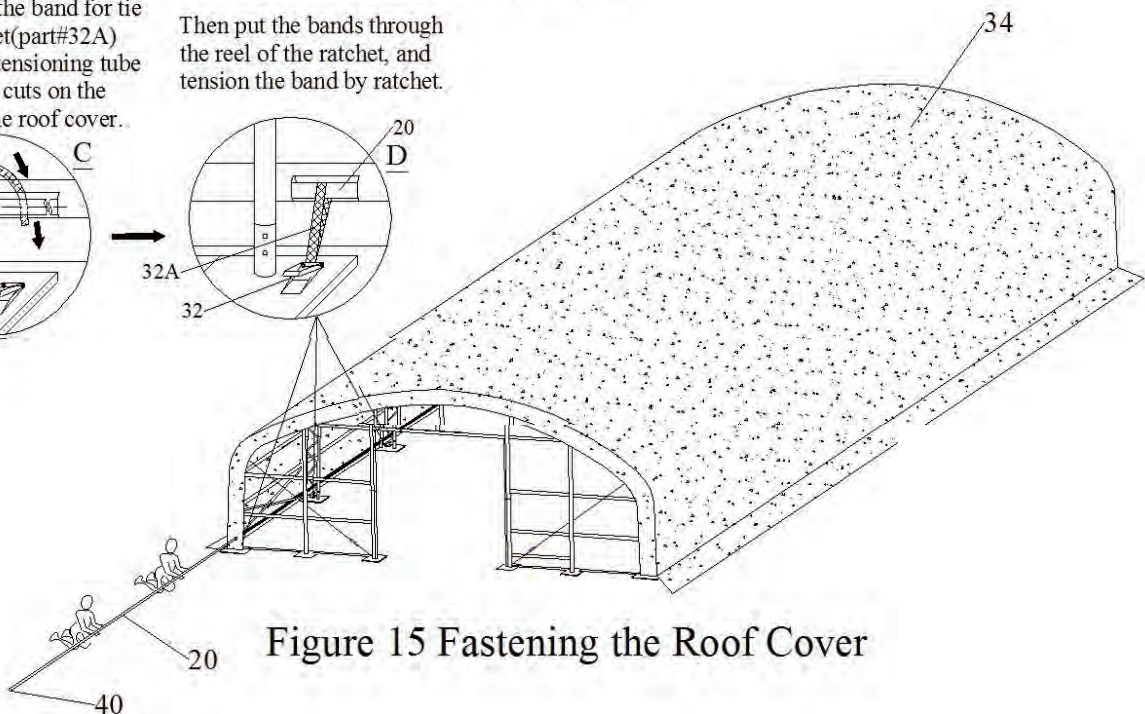
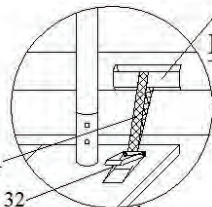


Figure 15 Fastening the Roof Cover

Step #9 – Mount Tie Down Ratchets To Base Plates

When Main Cover is over top of Frame Assembly, insert Tensioning Tubes (#20) into pockets along both sides of Main Cover. Add Band for Tie Down Ratchet (#32) at each point along the cover opening, over Tensioning Tube as shown in Figure 11. Starting with one side, insert Tie Down Bands (#32A) into Tie Down Ratchet assemblies (#32), and remove slack. Do Not Tighten down yet.

Step #10 – Tension Cover On Frame Side-To-Side

Center Main Cover over Frame assembly both side to side and front to back. Next insert Tensioning Tube

Plastic Caps (Part #40) into the ends of the Tensioning Tubes (Part #20) into the pockets in inside edge of Main Cover on each side.

Align one side of Main Cover evenly front to back. Put Band for Tie Down Ratchets (Part #32A) over Tensioning Tubes (Part #20) at each Base Plate along one side. Bands do not attach to Tensioning Tubes, but loop around and secure at both ends on ratchet.

Next take up slack in tie bands by ratcheting the mechanisms, tightening cover. Evenly adjust ratchets on both sides of main cover to take wrinkles out of main cover. **DO NOT** fully tighten cover yet. Leave adequate slack so that cover can also be adjusted front to back in next step.

Version 3.1

Please **DO NOT** return unit to store or dealer. For all questions or shortages please contact Customer Service at: 800-447-7079 or 203-877-7070

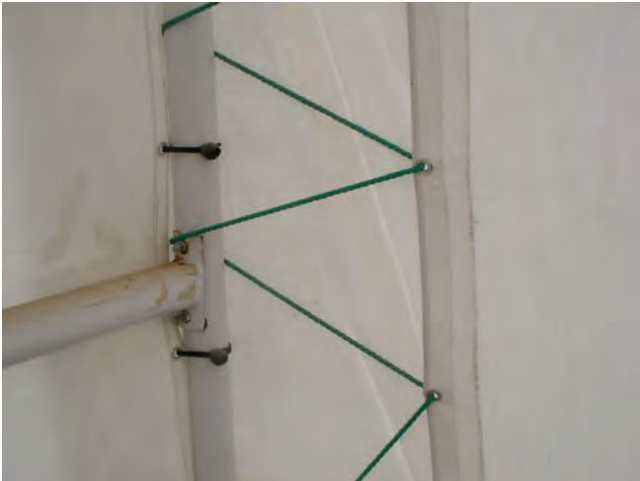


Assembly Instructions 40x60x18 Domed Style Truss Building

Step #11 – Tighten Main Cover on Frame Front To Back

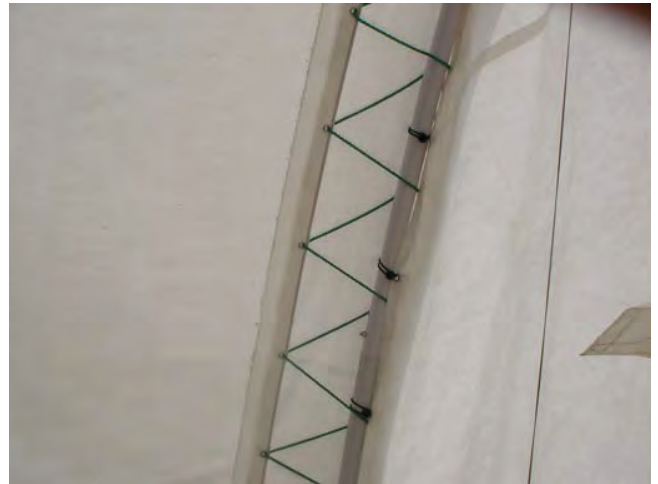
The main cover is tensioned from front to back by the rope lacing to grommet flaps inside the main cover, inside the unit at both front and rear arches. Using the rope (Part #39) provided, lace the main cover grommet flap around the main frame front and rear arch pieces. Start in the top middle of each arch, and lace to each side. Add rope length by tying pieces together or cutting as necessary.

Lace all grommets on cover inside flap with rope. Starting at the middle top point over the door, tighten lacing only enough to take wrinkles out of the cover. Repeat for the Rear Arch. **DO NOT** over tighten lacing to pull out the grommets.



Begin with the front arch at the top. Pull the rope through the middle grommet until both ends of the rope meet. Loosely lace the rope down each side, without pulling the rope taut yet. Then lace the rear grommet

flap to the rear arch frame the same way. Tie off one end to the lower frame member. Now go back to the top again, and start taking the slack out of the rope evenly along the edges. If necessary, loosen up on the tensioning pole ratchets so the cover can be adjusted front to back. Adjust both the front and rear lace rope so that there is an even amount of material both at the front arch and the rear arch. Pull only tight enough to get all excess material out of the main cover over the frame members. Do not pull so taut that the grommets stress the main cover flap



After the main cover lacing is adjusted evenly across the grommet flap, go back and re-adjust the Tensioning Ratchets along the side edges of the Main Cover. At this point, the main cover can be pulled taut enough to take all excess material and wrinkles out of cover. It will be necessary to repeat this step 2-3 weeks after unit assembly is complete and main cover has a chance to stretch out over the frame completely.



Assembly Instructions 40x60x18 Domed Style Truss Building

Figure 16 Fastening the two ends of the Roof Cover

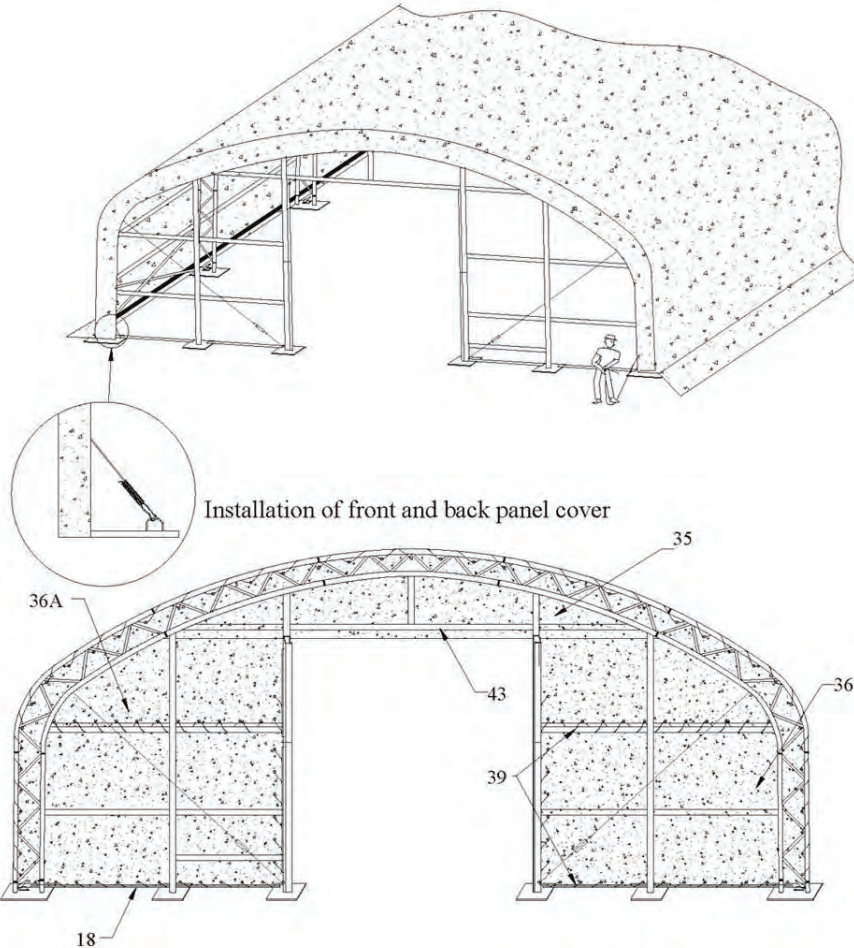
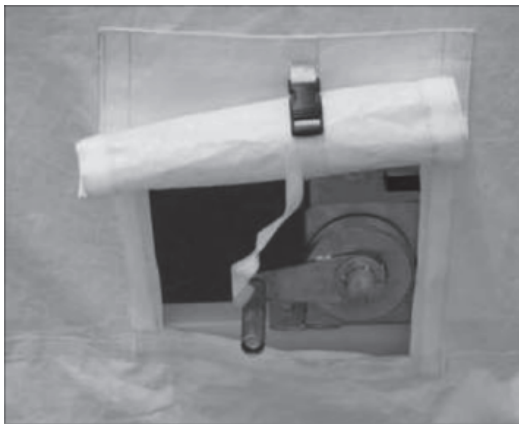


Figure 17 Installation of Front and Back Panel Cover

ASSEMBLE FRONT & REAR COVER ON ARCH PANEL FRAMES

Front and Rear Panel Covers - The Fabric Covers for the Front and Rear Wall consist of three separate fabric pieces. Two Side Panels (Parts #36 & 36A) are installed on either side of the door frame opening. One of the panels (Part #36A) has a cut out in it for the Winching Mechanism. This should be installed on the right hand side of the frame when facing from the outside.



Start securing the side covers at the bottom and work up towards the top. At the bottom of the panel, use one of the ropes provided to lace the fabric to the Lower Side

Panel Beam (Part #15A). A separate fabric cover above Front and Rear Door Panel (Part #35) is provided.

Main Cover Edge Tie Off - Once both Front and Rear Panel Covers are installed, the Main Cover Edge flap, front and rear, should be tightened and tied off. Begin by pulling the remaining Main Cover Material over the Frame arch, so the rope pocket is over the edge of the frame. Tie off the rope that goes through the rope pocket on one side. The rope ties off to the loop that is located on the Base Plate Corner (6L or 6R). Moving to the other side, begin to pull the rope down. Hold the rope in hand, and push down at the bottom of the rope with a foot. Pull the rope tight, and tie off to the welded hoop on the Base Plate. As you are pulling the edge rope, it will be necessary to adjust the excess material that will collect along the rope packet. Adjust the material so that it is not bunched up and it does not pull the main cover to one side or the other. Once the Front is completed, repeat the process on the Rear flap of the Main Cover.

ASSEMBLE MECHANICAL DOORS

Step #13 - Install Main Doors, Cover, and Opener

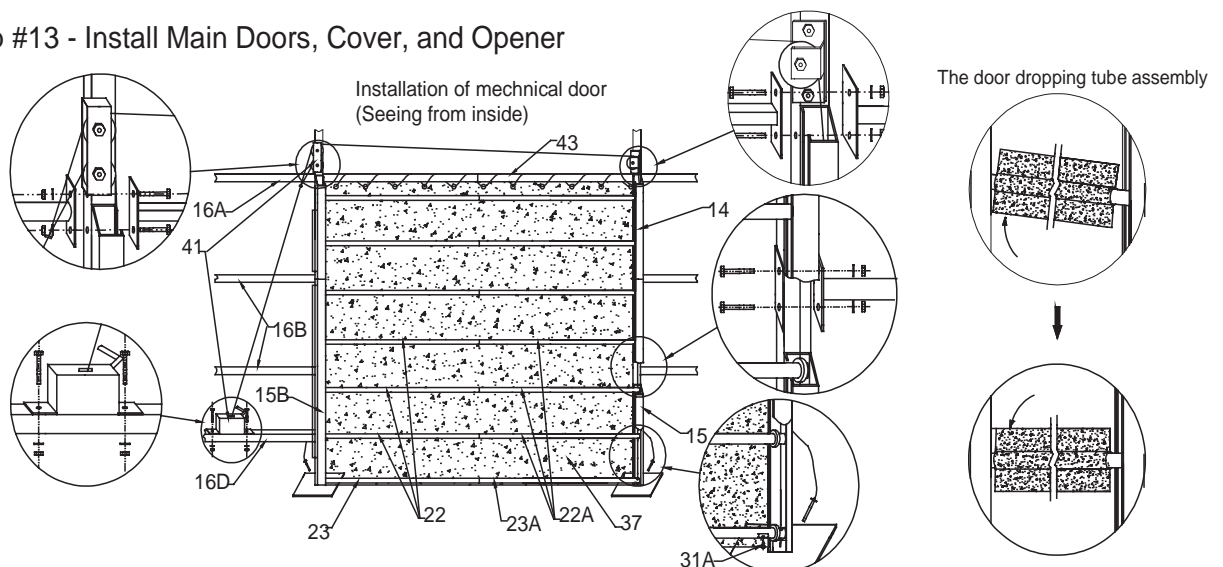


Figure 18 Installation of the Mechanical Door

MECHANICAL DOOR INSTALLATION STEPS

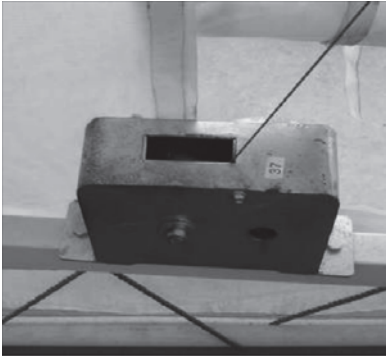
1. Install Main Door Pulleys (left and right) over the Top of the Door on each side of the Door Beam (Part #43). Use M10x75 Bolts and Nuts (Part #29).
2. Next mount the Winch Mechanism to the Front Panel Lower Beam (Part #16D). Mechanism should line

up with pocket in Fabric Front Side Panel. Use M10x75Bolts and Nuts (Part #29).

3. Slide Bottom Door Dropping Tube (Part #23&23A) into the bottom horizontal fabric pocket on the Door Cover (Part #37). Then slide the six remaining Door Dropping Tubes (Part #22&22A) into the remaining horizontal fabric pockets in the Door Cover (Part #37) and use the M5x10 Self-



tapping screws (31A) to secure the door cover to the dropping tube.



Winch Assembly Mounted To rail

4. From the bottom of the door tracks (15,15B), gently raise and slide one door dropping tube (22,22A) into the tracks. And then feed the other remaining door dropping tubes (22,22A,23,23A) into the door tracks.



Door Tubes Inserted Into Door Track

5. Next install the steel wire that leads from the door winching assembly to the bottom of the door dropping tubes. The Winch Assembly has a long and a short steel cable secured to it. Feed the end of the shorter of the two cables through the lower roller of the double pulley at the top of the door assembly track closest to the Winch Assembly, and then down through the holes in the Bottom Door Dropping Tube (23,23A) on the left hand side of the door (facing from the inside). When the steel cable goes down through the hole in the Bottom

Dropping Tube (23,23A), tie a knot in the steel wire so that it cannot pass back up through the hole.



Double Pulley Nearest Winch Assembly

6. From the Winch Assembly route leading end of the Longer Steel Cable through the Upper Roller of the double pulley near door track and then through the Single Roller on the door track farthest from the Winch Assembly. Then down through the Bottom Door Dropping Tube (23,23A). When the steel cable goes down through the hole in the Bottom Door Dropping Tube, tie a knot in the steel cable. Door can now be opened or closed by operating the Winch Assembly. Raise and lower the door several times to be certain door tube ends are not binding on track. Lubricate if necessary.



Assembly Instructions 40x60x18 Domed Style Truss Building



Single Door Pulley Farthest From Winch Assembly

Door can now be opened or closed by operating the Winch Assembly. Raise and lower the door several times to be certain door tube ends are not binding on track. Lubricate if necessary.



MAINTENANCE & CARE

Annually or more often, the unit should be completely inspected internally and externally to make certain the unit remains properly installed and secured. Particular attention should be paid to:

Hardware - check all carriage bolts and hardware connectors to be certain they are in place and tightened.

Base Plate Anchors - during normal weather trends, the unit will strain against the base plate anchors under windy conditions. Anchor hardware connection to frame members should be maintained tight and depth of anchors should be checked to be certain they remain deeply and firmly set.

Snow Accumulation - All snow accumulation on the main cover should be removed as soon as possible. Tap the main cover from the inside with a broom or soft brush to clear cover.

Main Cover Lacing - the poly rope that secures the main cover to the bottom rail of the frame assembly should be checked, and adjusted as needed. The tension on the main cover should be uniform from end to end and side to side. Rope ends must be tied off onto the frame members at the ends on each side.

Cleaning - cover and doors can be cleaned with a mixture of light detergent and water. A soft bristle brush with the mixture can be used to loosen any hard dirt, mold, or buildup on the cover. After cleansing, the cover should be rinsed thoroughly to avoid any chemical reaction from residual detergent. Allowing dirt and debris to sit on cover over an extended time will damage cover irreparably.

Severe Weather - in preparation for inclement weather, completely secure the door of your Big Bear buildings portable building. Allowing wind to enter end lifts the

Version 3.1

Please DO NOT return unit to store or dealer. For all questions or shortages please contact Customer Service at: 800-447-7079 or 203-877-7070



Assembly Instructions 40x60x18 Domed Truss Style Portable Building

building and puts undue stress on the anchoring system. This also shortens the life of the doors and main cover.

CUSTOMER SERVICE & INSTALLATION

Please call MDM Products at 800-447-7079 or 203-877-7070 for questions about the proper installation of the unit in any way. Care and attention to a proper installation will add many years of life and function to your Big Bear buildings unit.

Please retain purchase documentation for your Big Bear buildings unit. All warranty claims must include purchase documentation for verification. All parts on your Big Bear

buildings unit are available for replacement as needed. Protect your purchase by completing warranty registration card and mail/fax as soon as practical after installing your unit.

Thanks again for choosing this quality product. With proper operation and care we are confident it will meet your expectations in functionality, appearance and longevity.

INVENTORY CHART



Assembly Instructions 40x60x18 Domed Truss Style Portable Building

Part List

| Part Code | Description | Quantity |
|-----------|---|----------|
| 1 | Top roof tube for interior arches | 5 |
| 1A | Top roof tube for end arches | 2 |
| 2 | Curved Roof Tubes Section – Interior Arches #2 thru #6 | 10 |
| 2A | Curved Roof Tube Section – Front and Rear End Arches | 4 |
| 3 | Curved Roof Tube – Sides for Interior Arches | 10 |
| 3A | Curved Roof Tube Side - Front and Rear Arches | 4 |
| 4 | Sidewall Upright Tube – Interior Arches | 10 |
| 4A | Sidewall Upright Tube – Front and Rear Arches | 4 |
| 5 | Cross Rail Horizontal Tube (Roof Purlin) | 54 |
| 6L | Left Side Corner Base Plate | 2 |
| 6R | Right Side Corner Base Plate | 2 |
| 7 | Standing Leg Base Plate - Front and Rear Walls | 8 |
| 8 | Sidewall Base Plates | 6 |
| 8A | Base Plates with Wind Brace Support | 2 |
| 8B | Base Plates with Wind Brace Support | 2 |
| 14 | Upper Door Track | 4 |
| 14A | Upper Side Panel Beam | 4 |
| 15 | Lower Door Track | 2 |
| 15A | Lower Side Panel Beam | 2 |
| 15B | Lower Door Track | 2 |
| 15C | Lower Horizontal Rail Support | 2 |
| 16A | Upper Horizontal Rail Support | 4 |
| 16B | Middle and Lower Rail (Horizontal Beams between Door track and Sidewall Beams) | 8 |
| 16C | Middle and Lower Rail (Horizontal Beams between Sidewall Beams and Arch Assembly) | 8 |
| 16D | Bottom Rail for Winch Support (next to door) | 2 |



Assembly Instructions 40x60x18 Domed Truss Style Portable Building

| | | |
|-----|--|--------|
| 17 | Wind Brace Support | 8 |
| 17A | Wind Brace Support Clips | 8 |
| 18 | Lower Horizontal Cover Tensioning Rail for Front and Back Cover | 8 |
| 20 | Cover Tensioning tube for roof cover | 2sets |
| 22 | Door dropping tube | 12 |
| 22A | Door dropping tube(swaged) | 12 |
| 23 | Door dropping tube at the bottom | 2 |
| 23A | Door dropping tube at the bottom(swaged) | 2 |
| 24 | Auger | 22 |
| 24A | Wrench for Auger | 1set |
| 25 | Earth Anchor | 22 |
| 26 | The U-bolt with plate and nut | 22sets |
| 27 | The 36" drive rod | 1 |
| 28 | Hexagon bolt M10x85 for front and back frame assembly | 75 |
| 28A | Carriage bolt M10x85 for roof purlins connection | 70 |
| 29 | Hexagon Bolt M10x75 for truss arch tube connection | 260 |
| 30 | Bolt M10x30 for wind brace connection and end panel connection | 40 |
| 31 | Bolt M10x15 for tie down ratchet | 28 |
| 32 | Tie down ratchet | 14 |
| 32A | Band for tie down ratchet | 14 |
| 33 | Tube clip | 16 |
| 34 | Roof cover | 1 |
| 35 | Top cover above the door | 2 |
| 36 | Left Side cover beside the door(without window for the winch of door) | 2 |
| 36A | Right Side cover beside the door(with window for the winch of door) | 2 |
| 37 | Door cover | 2 |
| 39 | Rope for fastening the roof cover, the door cover and the front & back cover | 300m |
| 40 | Plastic cap for tensioning tube | 20 |
| 41 | Components for mechanical door | 2sets |
| 42 | Wind Stabilizers (turnbuckle and steel cable) | 24 |
| 43 | Door beam | 2sets |
| 43A | Vertical support tube for door beam | 2 |



Assembly Instructions
40x60x18 Domed Truss Style Portable Building

Additional Page
Door Locking Kits

