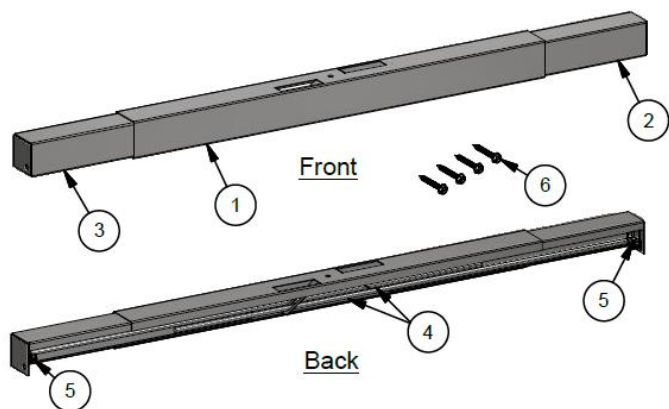


ADJUSTABLE VALANCE KIT INSTALLATION



ADJUSTABLE VALANCE KIT PARTS LIST			
ITEM	QTY	P/N	DESCRIPTION
1	1	1600-1	FRAME, ADJUSTABLE VALANCE, CENTER
2	1	1600-2	FRAME, ADJUSTABLE VALANCE, RIGHT
3	1	1600-3	FRAME, ADJUSTABLE VALANCE, LEFT
4	2	0705-1	FORMED ROD, STEEL
5	2	6121	END STOP, TRACK, STEEL I-BEAM
6	4	0520	SCREW, MASONRY, HEX HEAD, TAPCON, 3/16 x 1-1/4"

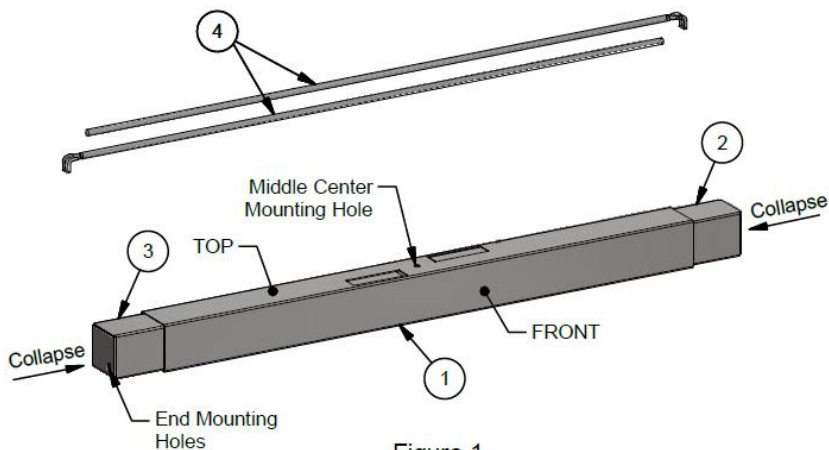


Figure 1

A. PREPARE THE UNIT

Verify that the two Rods ④ are removed from the system. Collapse the unit completely by sliding the Side Frames ② and ③ toward the center. (Figure 1)

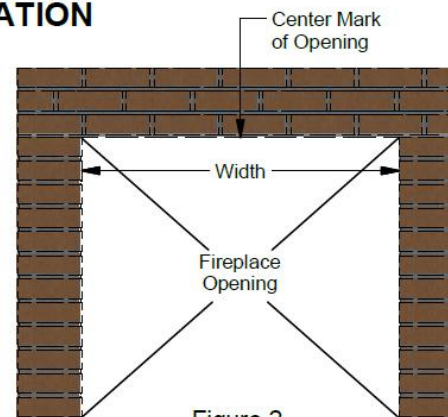


Figure 2

B. MEASUREMENTS

Using a tape measure, establish the width of the Fireplace Opening at the top. Determine the center point of the opening and mark it with pencil near the front edge of the fireplace.

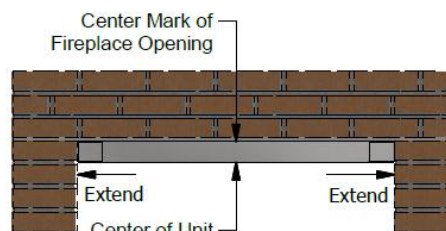


Figure 3a

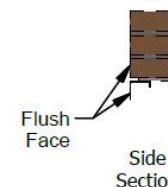


Figure 3b

C. ALIGNMENT AND MOUNTING LOCATIONS

1. Place the unit in the Fireplace Opening with the Center Mounting Holes facing upwards and the Front plate facing outward flush with face of the Fireplace. (Figures 1, 3a, 3b)

2. Align the Center Mark of the Fireplace Opening with the Center of the Unit. (Figure 3a)

3. Extend the Side Frames ② and ③

Mark the hole locations on the Fireplace using a pencil. (Figure 3a)

4. Remove the Unit from the Fireplace.

5. Drill a $\frac{5}{32}$ " \varnothing pilot hole in the Fireplace using a masonry bit. (For middle center mounting hole).

Note: If the Fireplace has a Lintel Angle it will require pre-drilling with a $\frac{1}{4}$ " \varnothing steel bit at the hole locations.



ADJUSTABLE VALANCE KIT INSTALLATION (CONT'D.)

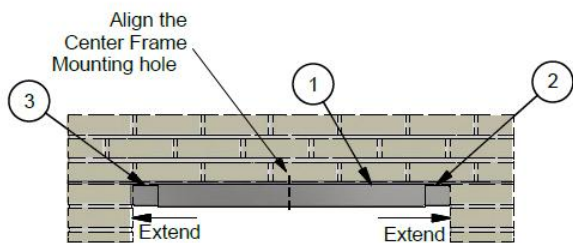


Figure 4a

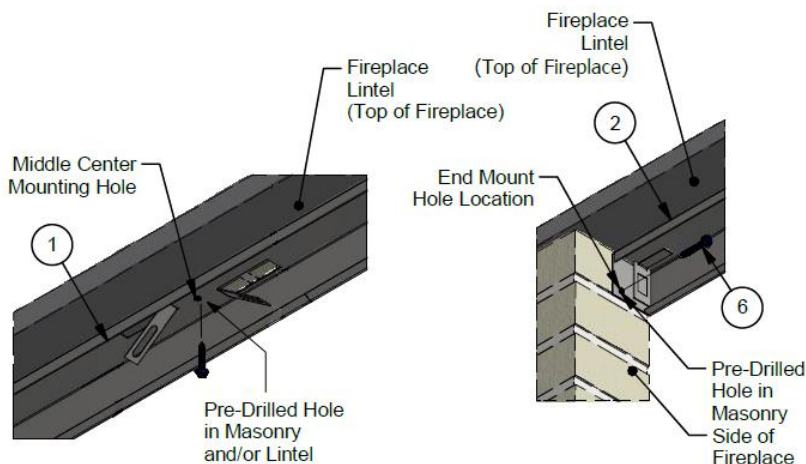


Figure 4b

Figure 4c

D. INSTALLING THE FRAMES

1. Place the Unit back in the Fireplace Opening and extend the Side Frames ② and ③ to the sides of the Fireplace Opening. (Figure 4a)
2. Align the Mounting Holes with the drilled holes of the Fireplace. (Figure 4a)
3. Using (2) of the provided $\frac{3}{16}''\text{Ø} \times 1\frac{1}{4}''$ Masonry Screws ⑥, secure the Center Frame ① of the System to the top of the Fireplace Opening using the Middle Center Mounting Hole]. (Figure 4b)
4. Mark the hole location of the End Mounting Hole on the Fireplace. (Figure 4c)
5. Drill a $\frac{3}{32}''\text{Ø}$ pilot hole in each side of the Fireplace.
6. Using the provided $\frac{3}{16}''\text{Ø} \times 1\frac{1}{4}''$ Masonry Screws ⑥, secure the Side Frames of the System to the sides of the Fireplace Opening. (Figure 4c)

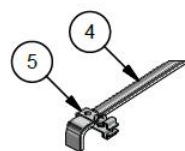


Figure 5a

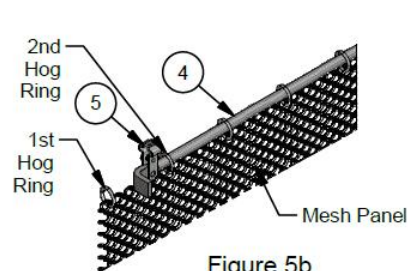


Figure 5b

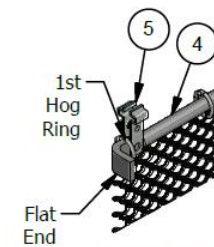


Figure 5c

E. INSTALLING THE MESH ONTO THE RODS

1. Install the Mesh End Stop ⑤ on the Rod ④ by sliding it onto the 'flat end' as shown and tightening the Phillips screw. (Figure 5a)
2. Starting with the 2nd Mesh Hog Ring, slide the Mesh Panel onto the straight end of the Rod ④. (Figure 5b)
3. With the Panel installed as shown, hook the 1st Mesh Hog Ring over the 'flat end' of the Rod ④. It will rest against the End Stop ⑤ and keep the edge of the Mesh tight to the side of the Fireplace Opening. (Figure 5c)

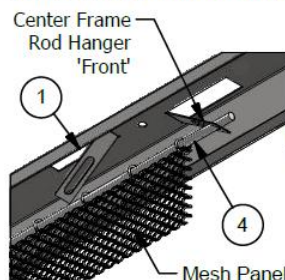


Figure 6a

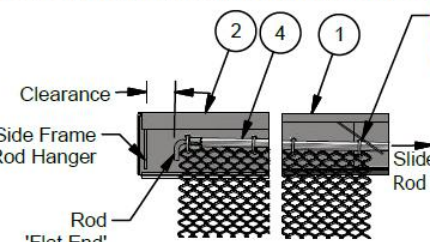


Figure 6b

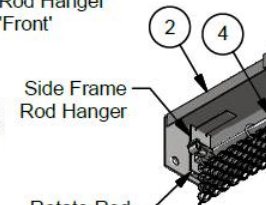
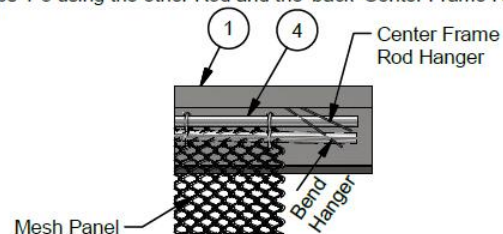


Figure 6c

F. INSTALLING THE RODS / MESH PANELS

1. Place the straight end of the Rod ④ into the 'front' Center Frame ① Rod Hanger. (Figure 6a)
2. Slide the Rod ④ through the Hanger until there is clearance for inserting the 'flat' end into the Side Frame Rod Hanger. (Figure 6b)
3. Insert the 'flat end' of the Rod ④ into the Side Frame ② Rod Hanger and rotate it downward in the Hanger. (Figure 6c)
4. Repeat Steps 1-3 using the other Rod and the 'back' Center Frame Rod Hanger.



G. LEVELLING THE PANELS

1. To level the Panels simply bend the Center Frame Rod Hanger up or down of the corresponding panel to raise or lower the Panel. (Figure 7)