

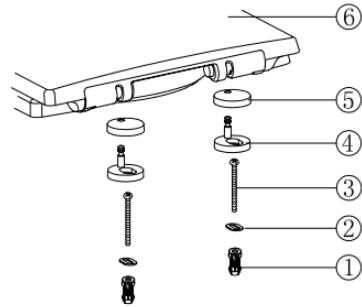
MUZT

Deluxe Soft Close Quick Release Toilet Seat **Installation Manual**

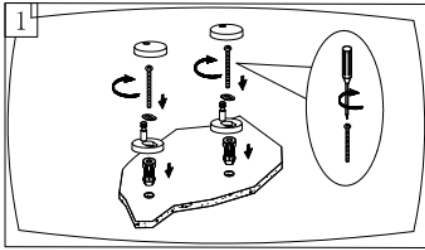
Please Note: This installation manual must be followed in order for the seat to be fitted and work correctly. Please check to make sure you have all the parts (1-6) listed below

LIST of PARTS

1	Expansion Bolt	4	Hinge Base
2	Washer	5	Hinge Base Cover
3	Screw	6	Toilet Seat & Cover



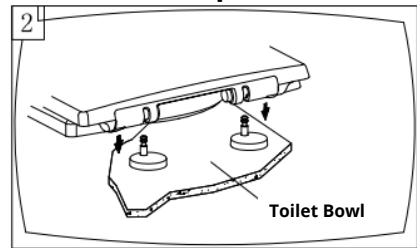
Step 1



- Push the nylon Expansion Bolt (1) all the way into the holes of the toilet bowl.*
- Insert the Washer (2) into the slot of Hinge Base (4) and insert the Screw (3) into the same slot.
- Use a screwdriver to affix the Hinge Base (4) by driving the Screw (3) into the Expansion Bolt (1).
- Before tightening the screw, please adjust the Hinge Base (4) positions to ensure the toilet seat is aligned with the toilet bowl by attaching the Toilet Seat & Cover to the Hinge Base (4).
- Remove the toilet seat after the Hinge Base (4) positions adjusted.
- Tighten the Screw (3) all the way into the Expansion Bolt (1). This enables the Expansion Bolt (1) fully expanded underneath the toilet hole to affix the Hinge Base (4) firmly.
- Place Hinge Base Cover (5) onto the Hinge Base.

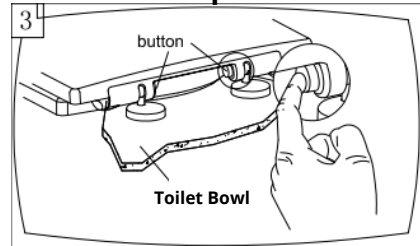
*If your toilet holes are too small, there is an alternative way to install the expansion bolts. For details, please visit the toilet seat FAQs section on www.muzt.com.au

Step 2



- To affix the seat, line up the toilet seat fixing holes with two Hinge Base (4) pins.
- Then push the toilet seat down. (You will hear a 'click' sound to indicate that the toilet seat is fitted correctly)

Step 3



- To release the Toilet Seat & Cover (6), press two chromed buttons next to the hinge one at a time then lift the seat.

Note: ♦ DO NOT use sharp or coarse materials or any corrosive products for cleaning.
♦ Use soap and water only to clean the toilet seat & cover.
♦ Please contact us at customer@muzt.com.au for any installation enquiries.