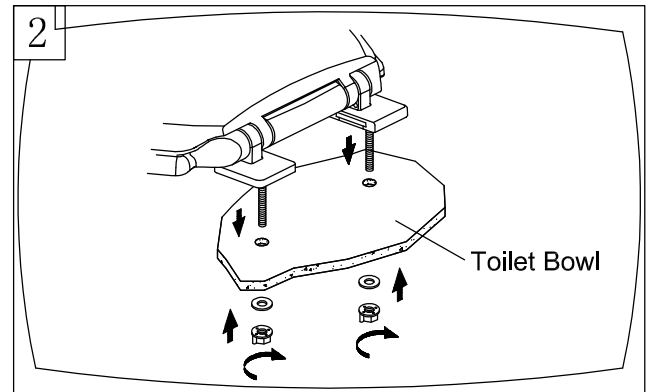
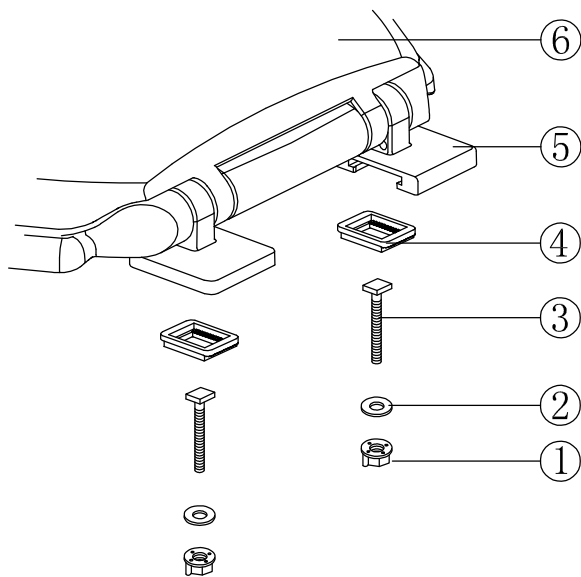


MUZT Multi Function Soft Close Family Toilet Seat Installation Manual

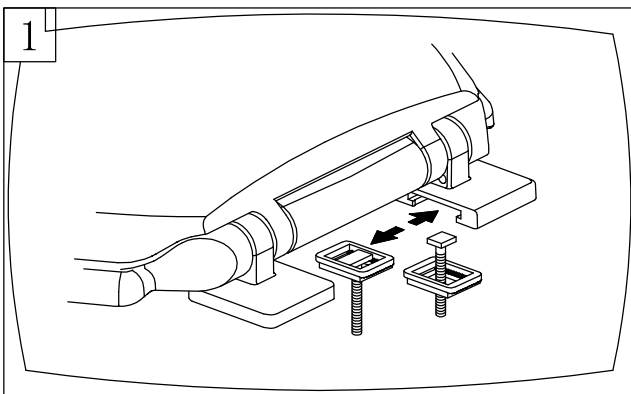
N.B.: This installation manual is for the installer and must be followed in order for the seat to be fitted and work correctly. Please check to make sure you have all the parts (1-6) for the toilet seat as shown below.



- Put the assembled Bolts (3) through the two toilet holes, adjust the Toilet Seat & Cover (6) to make it is inline with the toilet bowl.
- Put on the Washer (2) then fasten the Nut (1) by hand.
- After installation, ensure that the Toilet Seat and Cover (6) are firmly affixed.

PARTS LIST

①	Nut	④	Slider
②	Washer	⑤	Hinge
③	Bolt	⑥	Toilet Seat & Cover



- Take out all the parts from the box, insert the Bolt (3) into the Slider (4) and slide the Slider (4) onto the Hinge (5).

Note:

- ◆ Please contact MUZT if any parts are missing.
- ◆ DO NOT use sharp or coarse materials or any corrosive products to clean the seat.
- ◆ For product care instructions please visit our website www.muzt.com.au