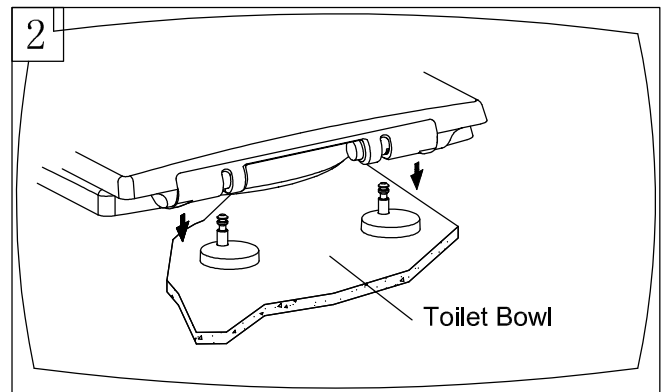
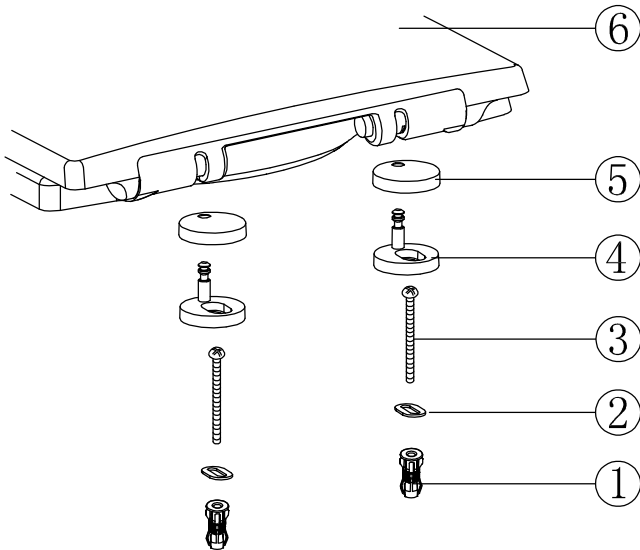


# MUZT Deluxe Soft Close Quick Release Toilet Seat Installation Manual

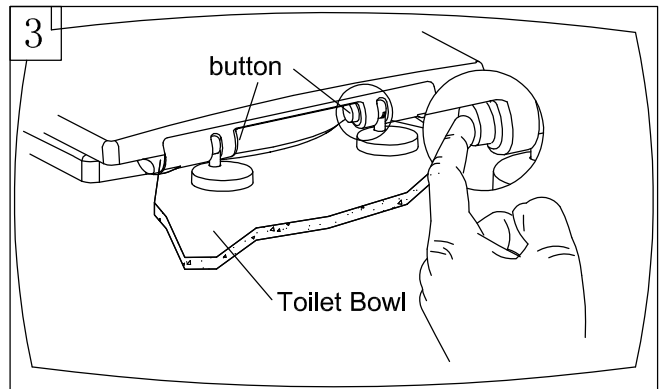
N.B.: This installation manual is for the installer and must be followed in order for the seat to be fitted and work correctly. Please check to make sure you have all the parts (1-6) for the toilet seat as shown below.



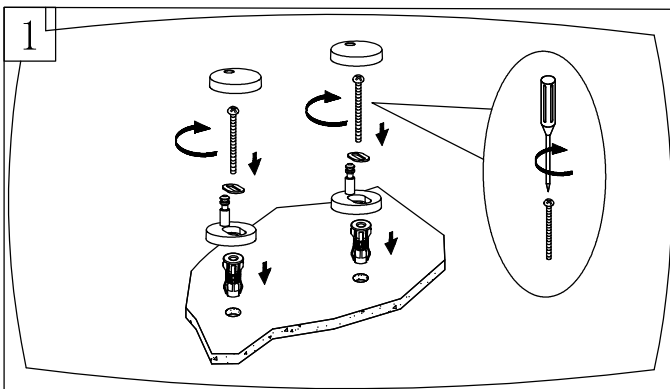
- To affix the seat, line up the toilet seat fixing holes with the pins on the Hinge Base (4).
- Then push the toilet seat down. (You will hear a 'click' sound to indicate that the toilet seat is fitted correctly)

## PARTS LIST

①	Anchor	④	Hinge Base
②	Slider Washer	⑤	Hinge Base Cover
③	Bolt	⑥	Toilet Seat & Cover



- To release the Toilet Seat & Cover (6), press two chromed buttons next to the hinge and lift the seat.



- Insert Slider Washer (2) into the slot of Hinge Base (4) and insert Bolt (3) into the same slot.
- Push the Anchors (1) into the holes on the toilet bowl.
- Use a screwdriver to screw the Hinge Base (4) into the Anchor (1).
- Place Hinge Base Covers (5) onto the Hinge Base (4).
- Before tightening the screw, please make sure to align seat to a desired position.

## Note:

- ◆ Please contact MUZT if any parts are missing.
- ◆ DO NOT use sharp or coarse materials or any corrosive products to clean the seat.
- ◆ For product care instructions please visit our website [www.muzt.com.au](http://www.muzt.com.au)