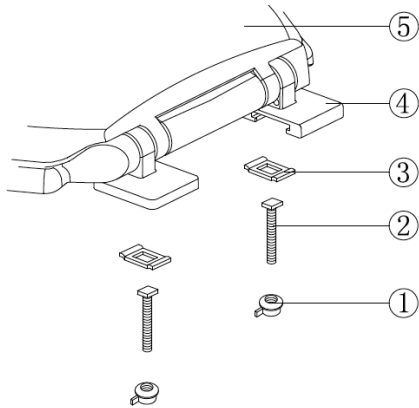


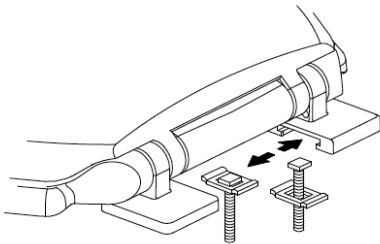
MUZI

Multifunction Soft Close 2 in 1 Family Toilet Seat **Installation Manual**

Please Note: This installation manual must be followed in order for the seat to be fitted and work correctly. Please check to make sure you have all the parts (1-5) listed below.



Step 1



- Take out all the parts from the box, insert the Bolt (2) into the Slider (3) and slide the Slider (3) onto the Hinge (4).

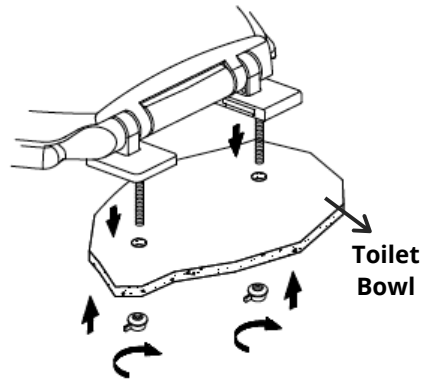
Note:

- ◆ DO NOT use sharp or coarse materials or any corrosive products for cleaning.
- ◆ Use soap and water only to clean the toilet seat & cover.
- ◆ Please contact us at customercare@muzt.com.au for any installation enquiries.

LIST of PARTS

1	Nut	4	Hinge
2	Bolt	5	Toilet Seat & Cover
3	Slider		

Step 2



- Put the assembled Bolts (2) through two toilet holes; adjust the Hinge (4) position to ensure the Toilet Seat & Cover (5) is aligned with the toilet bowl.
- Place the Nut (1) onto the Bolt (2) underneath the hole of the toilet bowl and fasten by hand.
- After the installation completed, please ensure the Toilet Seat and Cover (5) are firmly affixed.