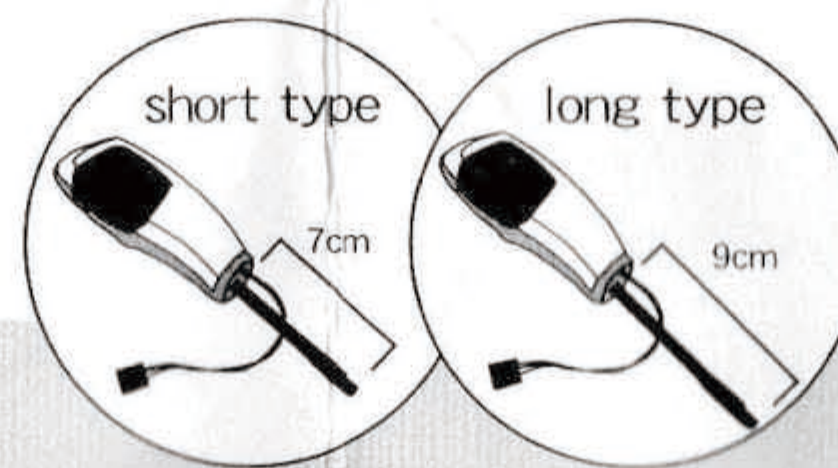
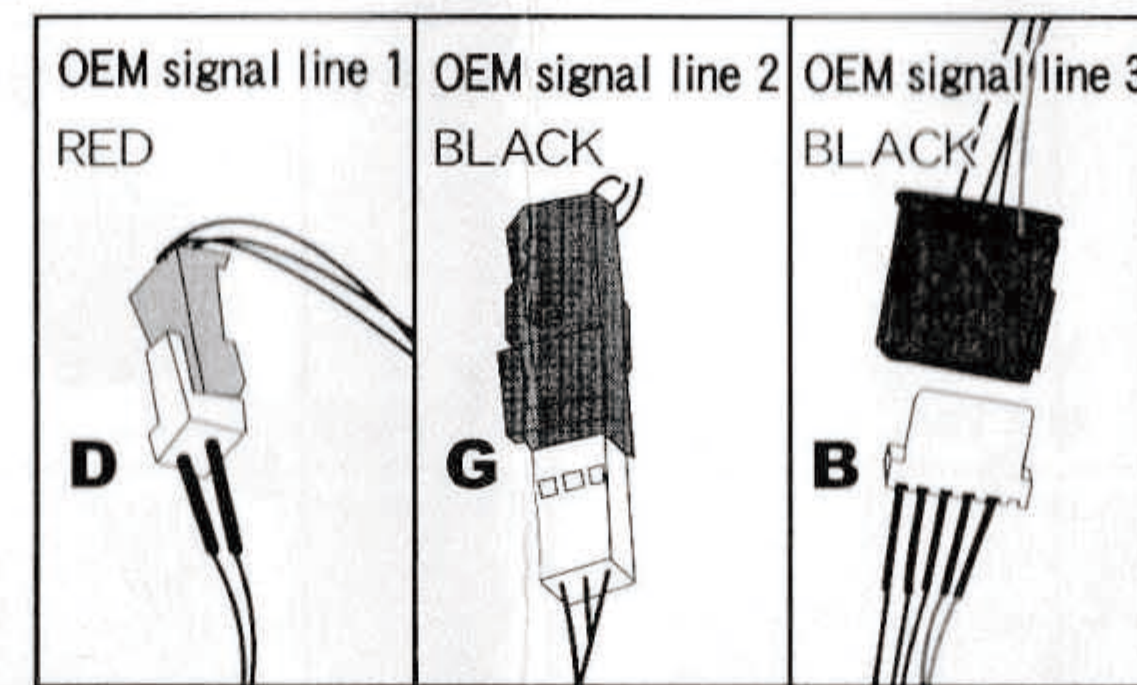
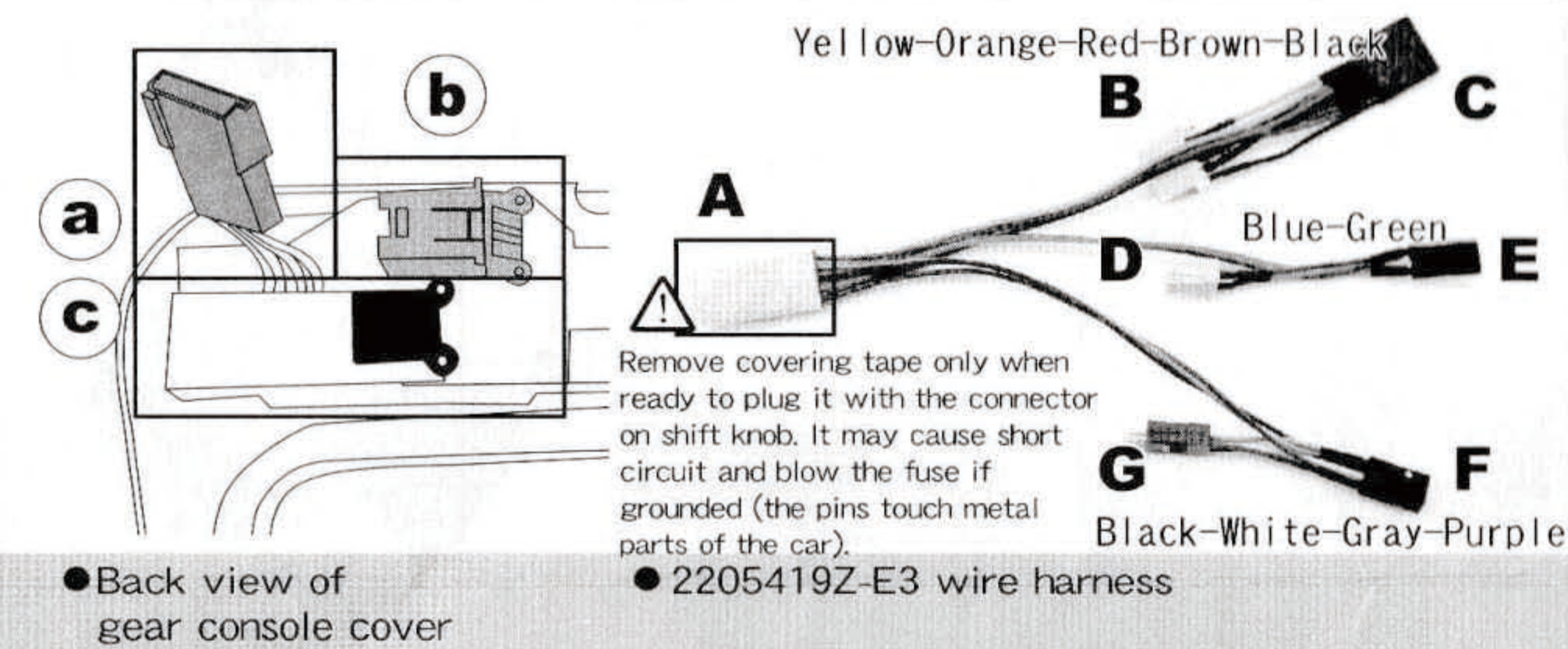


BMW LED Gear Shift Knob Wiring Diagram

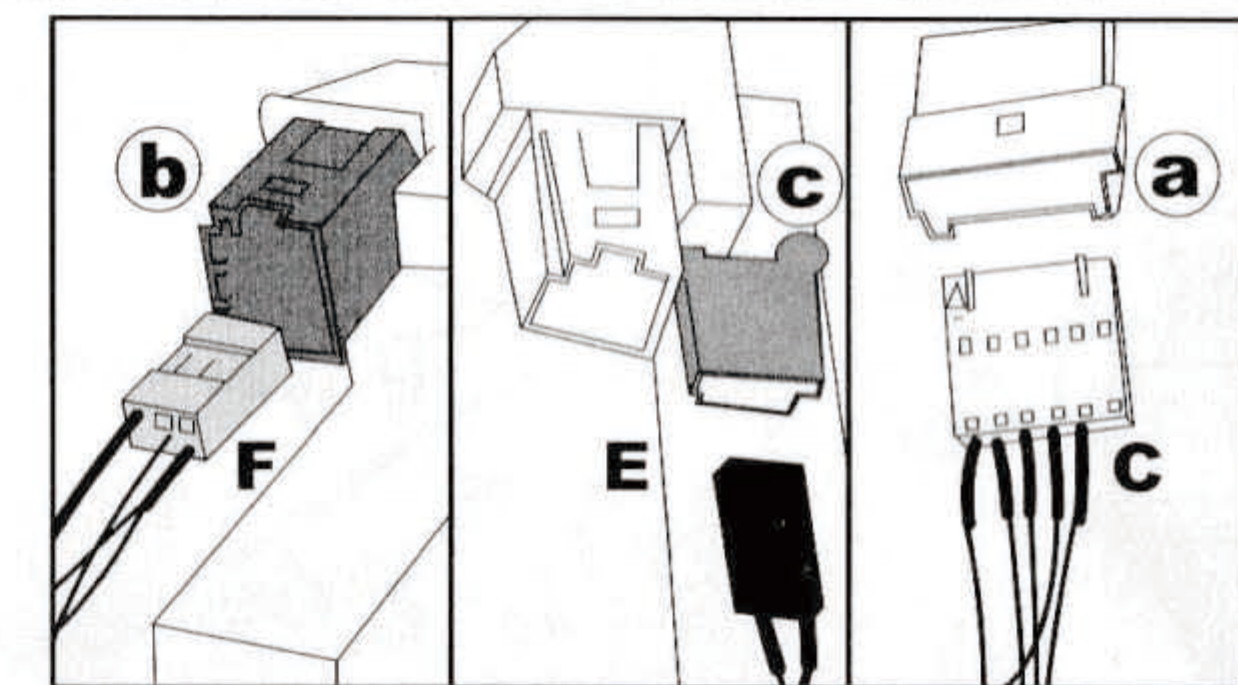


E39 4D Facelifted • E39 5D Facelifted • E53 Facelifted

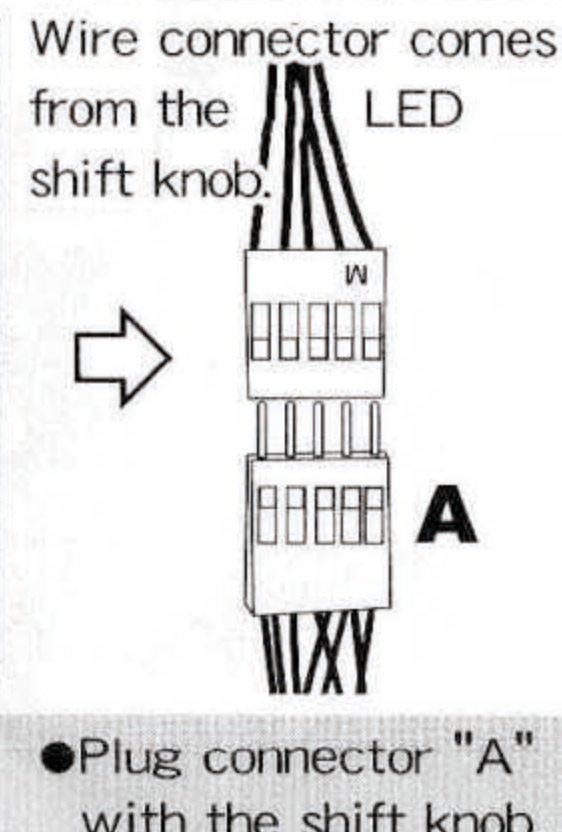
Product includes: LED shift knob (long type)
Special wire harness (P/N.: 2205419Z-E3)



● Plug connectors of wire harness to signal lines.

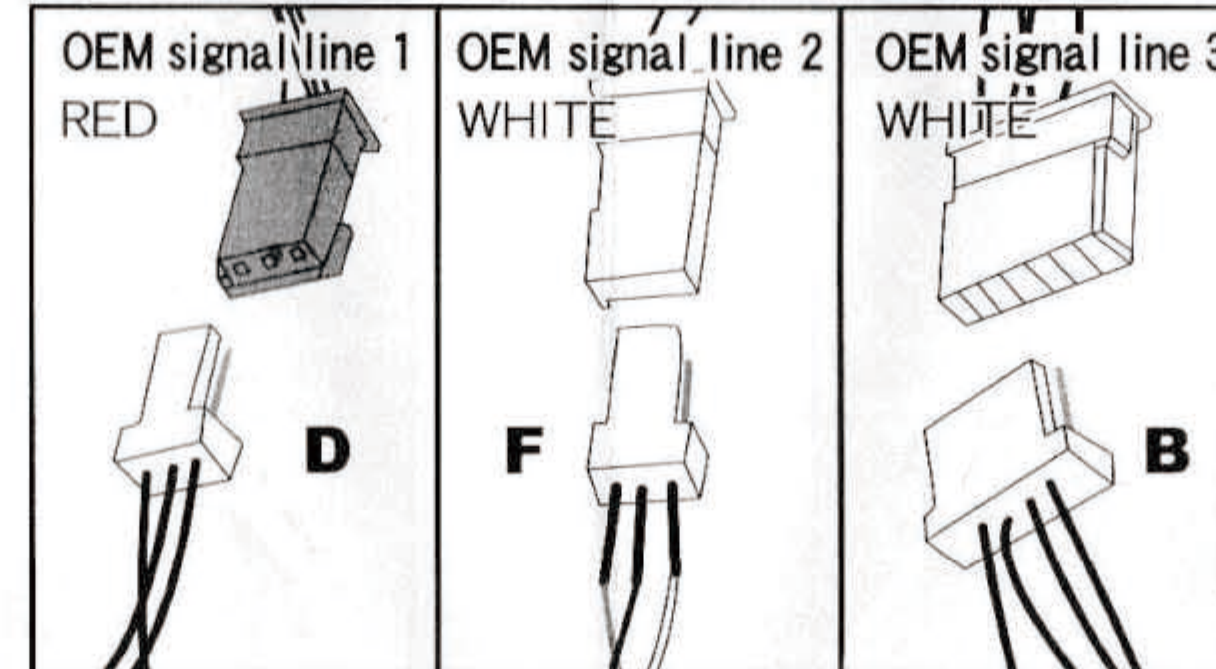
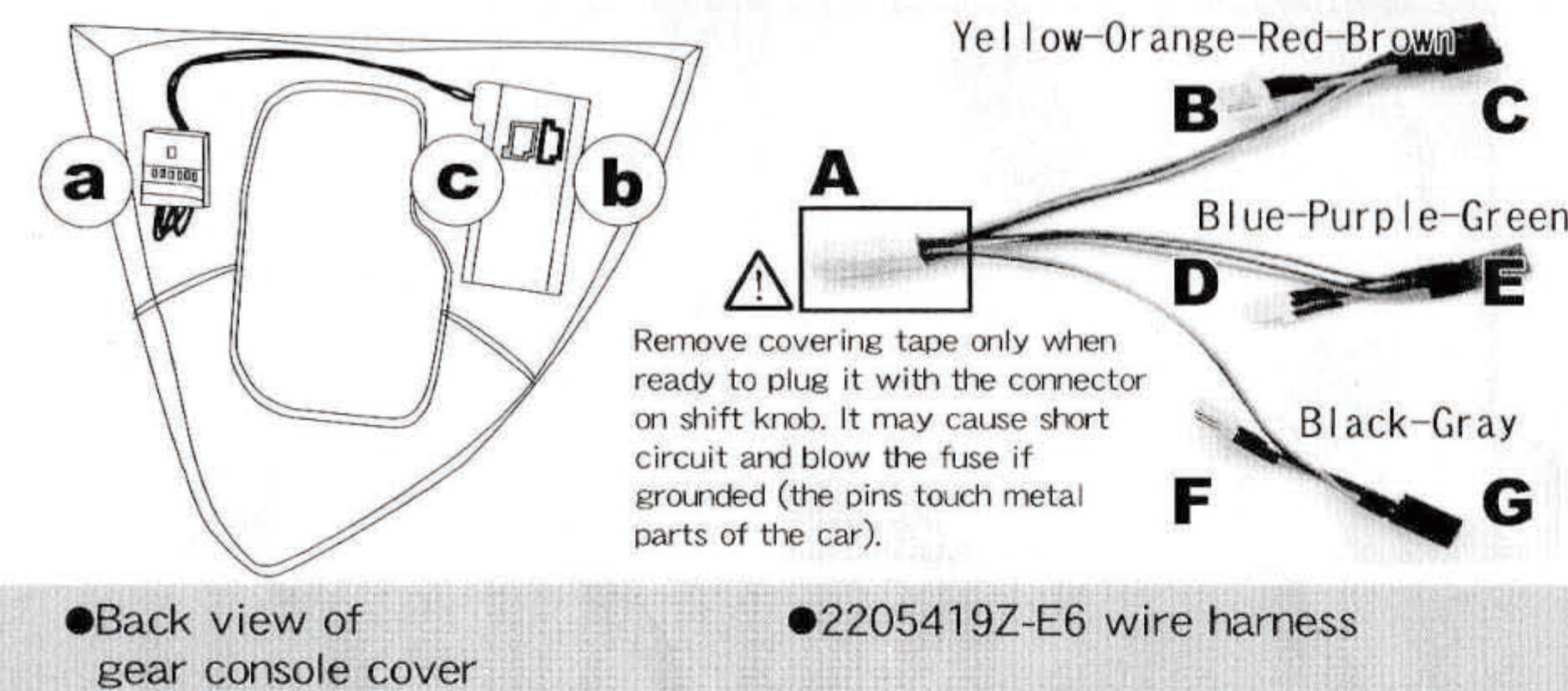


● Plug the connectors of wire harness to sockets at back side of gear console cover.

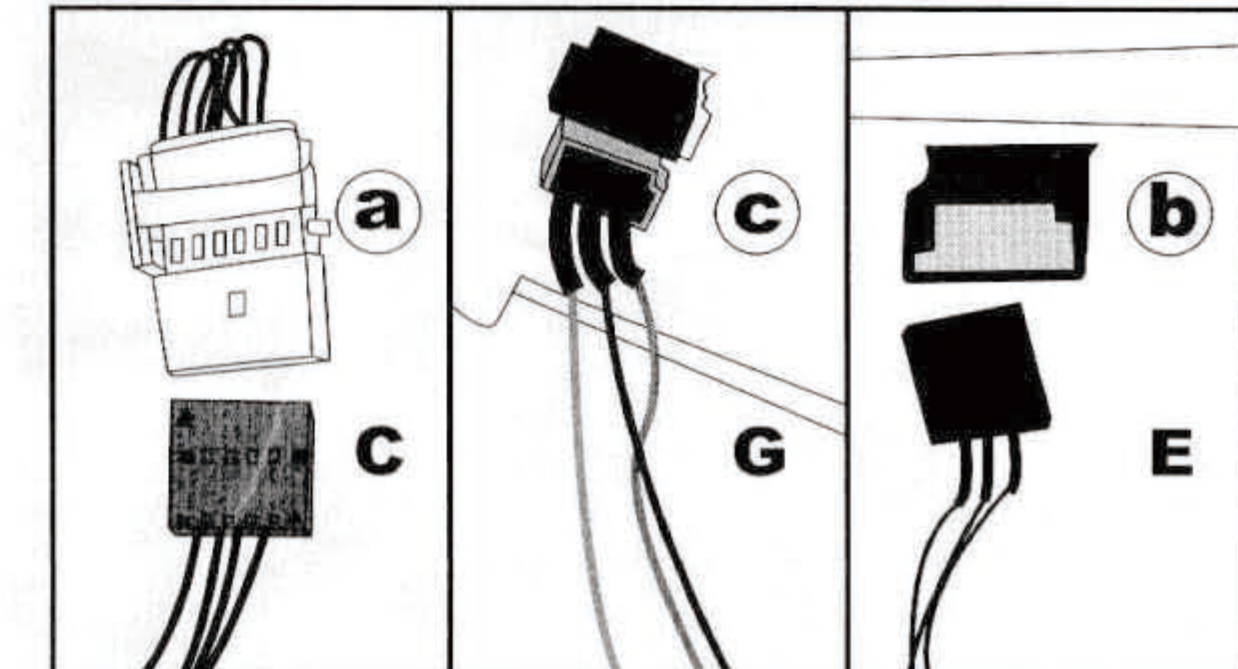


E46 2D Facelifted • E46 4D Pre-facelift & facelifted • E60 Pre-facelift • E63 Pre-facelift

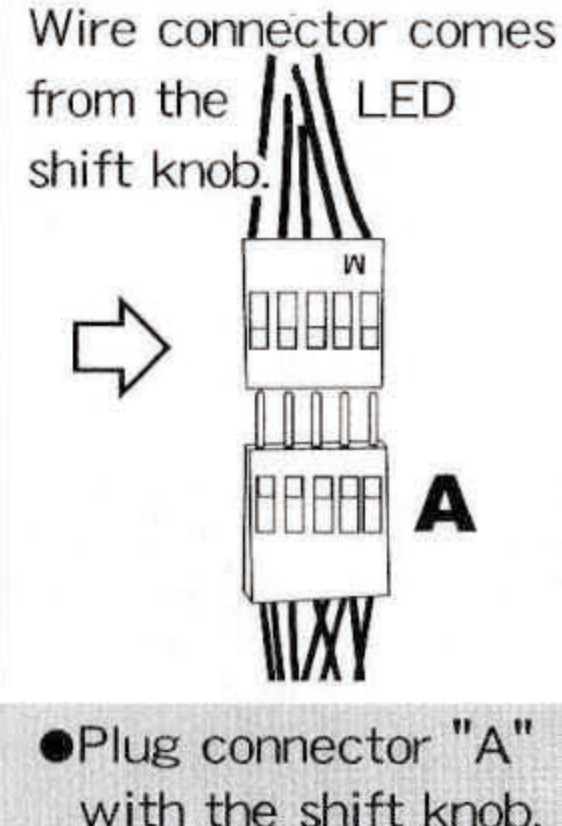
Product includes: E46 2D (4D) • E60(long type), E63(short type)
Special wire harness (P/N.: 2205419Z-E6)



● Plug connectors of wire harness to signal lines.

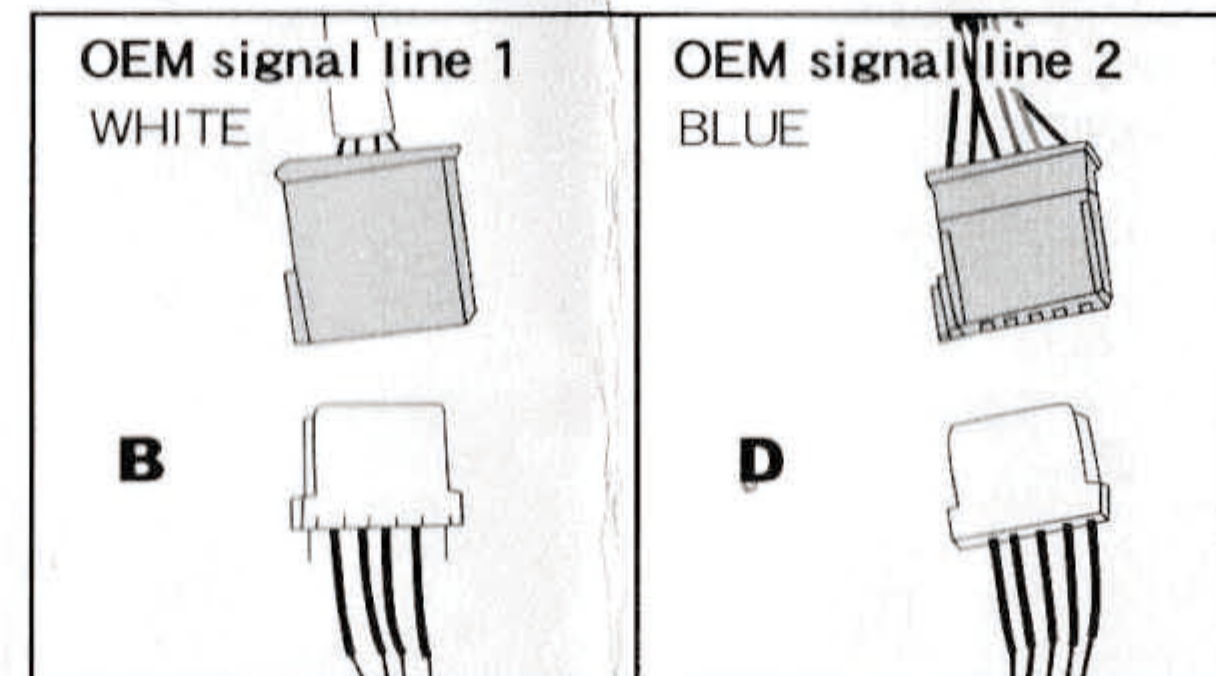
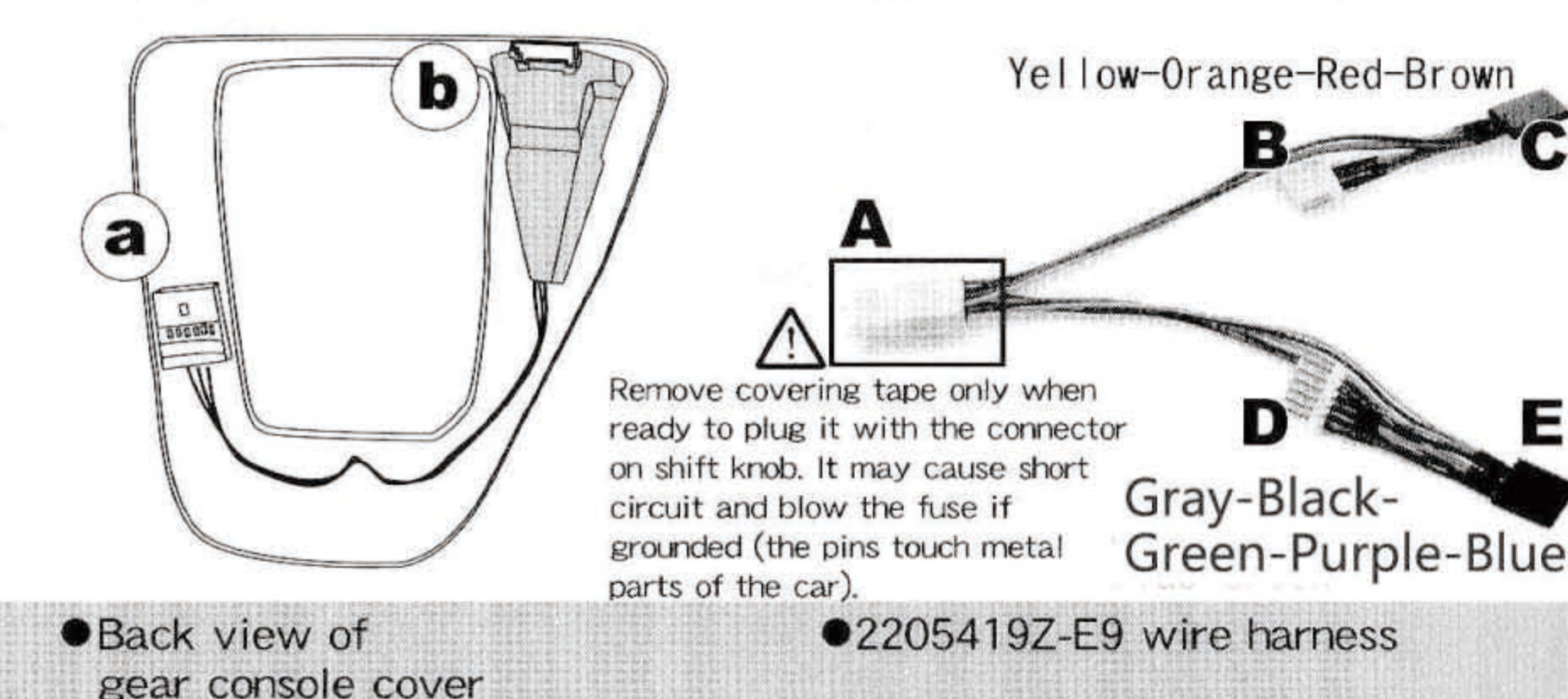


● Plug the connectors of wire harness to sockets at back side of gear console cover.

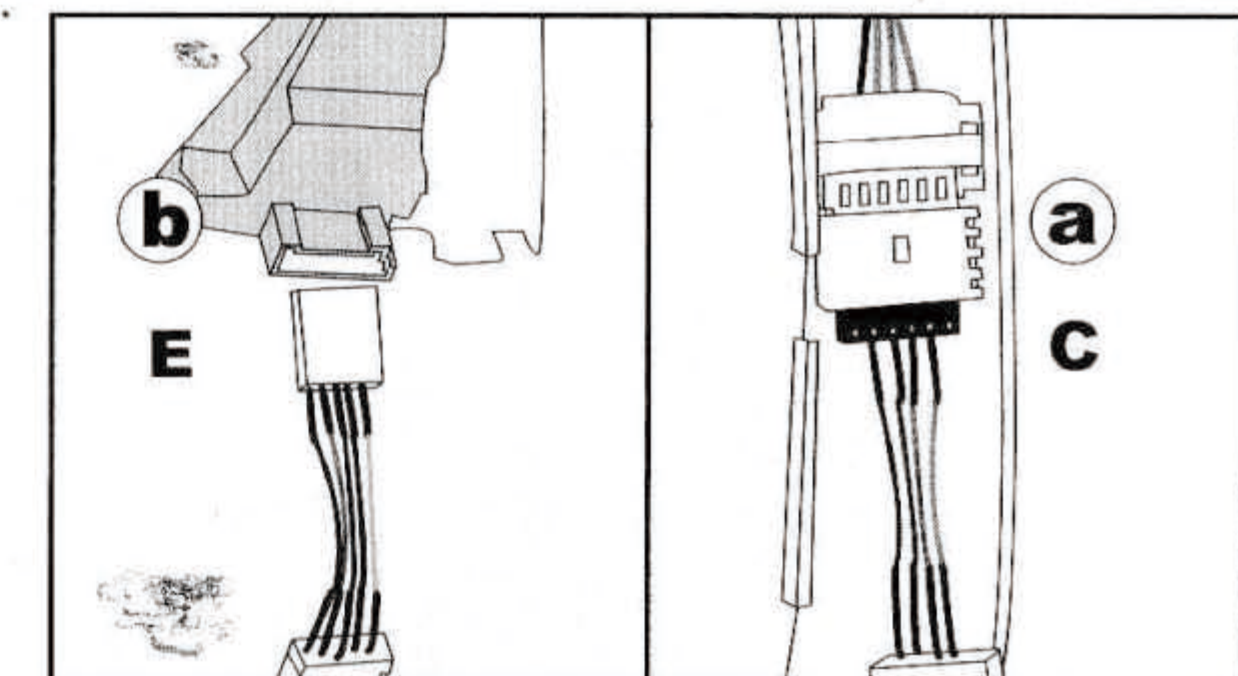


E90 Pre-facelift & facelifted • E92 Pre-facelift • E93 Pre-facelift • E87 Facelifted

Product includes: LED shift knob (short type)
Special wire harness (P/N.: 2205419Z-E9)



● Plug connectors of wire harness to signal lines.



● Plug the connectors of wire harness to sockets at back side of gear console cover.

